

DIN-LED4PX

4 Channel RDM Compatible Constant Voltage Driver



General Information

- The DIN-LED4PX is a 4 channel constant voltage LED driver with DMX/RDM input. It also contains over temperature and over current protection. Each channel can control up to 1A @ 24V (supplied by external power supply) Dimming is performed with a 500Hz PWM signal, and 8 bit resolution. There are 2 automode programs with adjustable speeds that cycle through colours when RGB LEDs are connected to the outputs. DMX address or Automode is set using any standard RDM controller
- The DIN-LED4PX fully complies to the RDM ANSI E1.20 standard.
- 7-24V DC input (current determined by the output load).

- Requires External 7-24V DC power supply
- CE & FCC certified

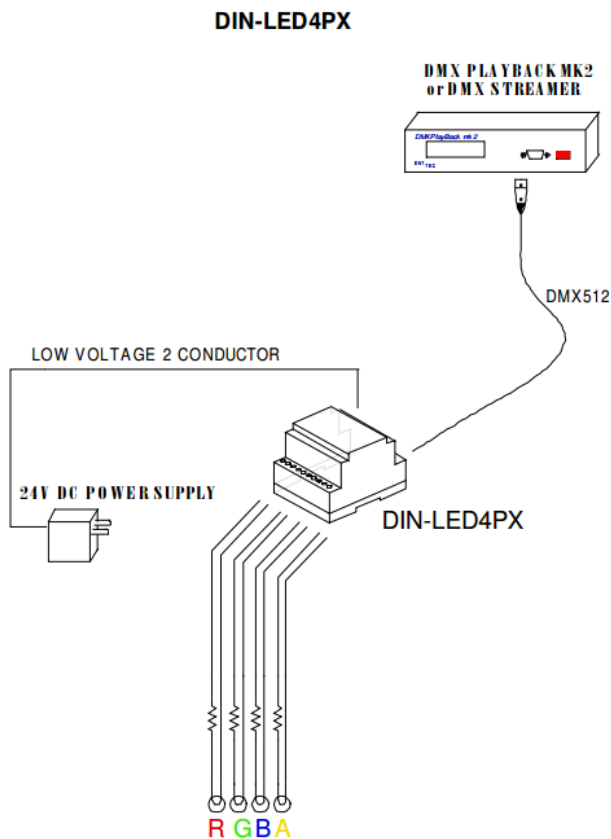
Technical Specifications

Item	Value
Input Voltage	7-24V DC
Maximum Current	1A Per channel
Wattage	(96W max @24v) (36W max @9v)
Output Type	Constant Voltage (Dimmed)
Max Output Channels	4 channels (addressed through RDM)
Supported Protocols	DMX512A / E1.20
Connectors	Phoenix screw terminals
Environment	0° -50°C in non-condensing environment
DIN RAIL	4 MODULES wide

Features

- DIN RAIL mountable
- 4 LED ports on 10 way screw connectors
- 1 input DMX on 3 way screw connector
- Each channel has auto reset 1A overcurrent protection
- Overtemperature protection
- Status LED

Wiring Schematic



Wiring Advice:

The Enttec DIN-LED4PX's DMX input phoenix connector, can be double wired (thereby making a pass-through), whereby two wires may be connected to each terminal in order to approximate a daisy chain (with no more than 32 devices).

Installation

- This product should be installed and serviced by a qualified person.
- Do not expose this unit to direct sunlight or water. If installed outdoors, ensure it is mounted within a waterproof enclosure.
- Never connect any cables whilst the power is on and always assure correct connections before switching on to avoid short circuits and irreversible damage.
- Ensure the output voltage of any power supplies used comply with the working voltage of the unit.
- This product should be installed and serviced by a qualified person.

- Always be sure to mount this unit in an area with proper ventilation to eliminate all possibilities of overheating.

Physical Details

Item	Value
Width:	2.75" / 70mm
Height	3.39" / 86mm
Depth	1.93" / 57mm
Weight	0.26bs / 118g
Shipped Weight	0.33bs / 150g

Due to continuous improvements and innovations of all ENTTEC products, specifications and features are subject to change without notice. For the latest version of this manual contact your local ENTTEC vendor.

Ordering Information

ENTTEC DIN-LED4PX and related products can be ordered from our website or through your ENTTEC dealer using the following part numbers.

Item	Name
71003	DIN-LED4PX

Email: sales@enttec.com
Website: www.enttec.com