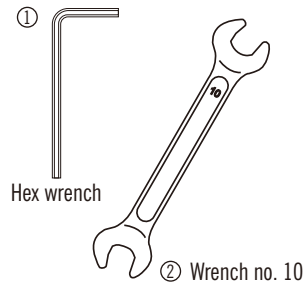
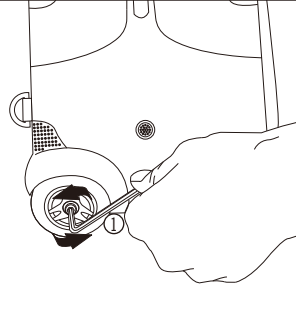
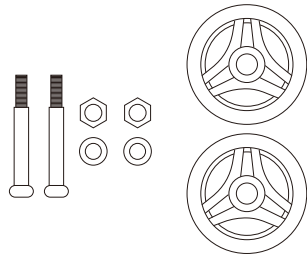


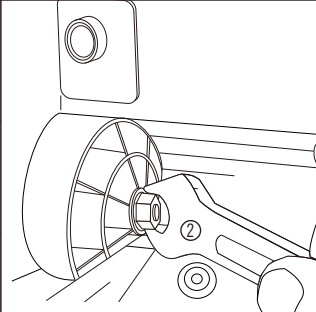
Tools required



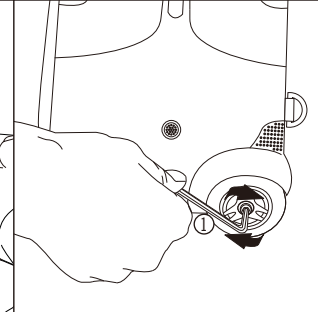
Parts details



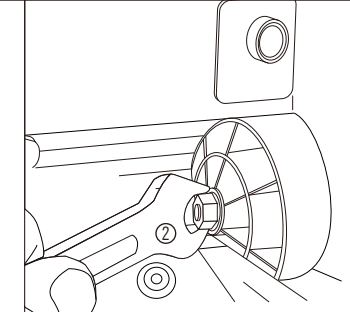
Turning anticlockwise on the right wheel screw for loosen the screw using tool ① and hold the nuts using tool ② inside the bag



Turning clockwise on the left wheel screw for loosen the screw using tool ① and hold the nuts using tool ② inside the bag

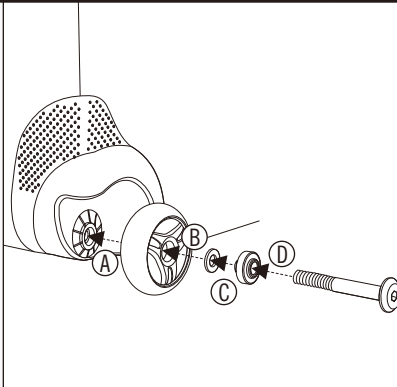


Turning clockwise on the right wheel screw for tighten the screw using tool ① and hold the nuts using tool ② inside the bag

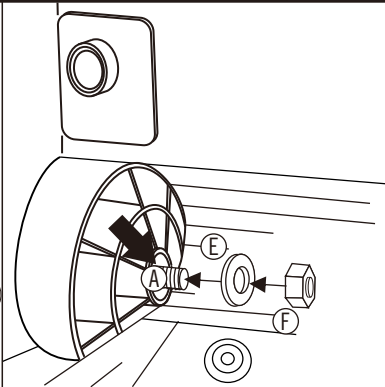


Please be sure it is tighten and secure

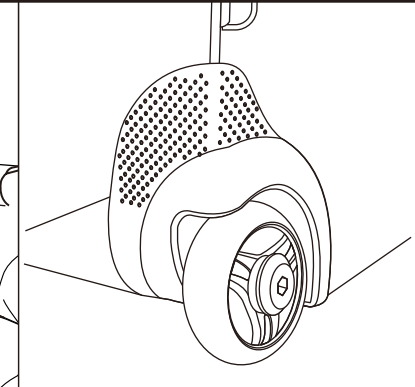
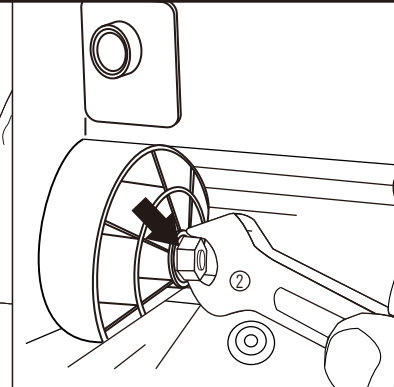
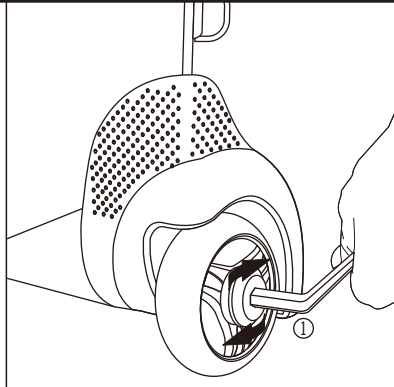
RIGHT WHEEL ASSEMBLY INSTRUCTION



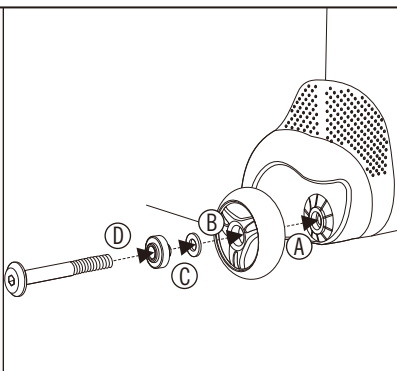
Install the (A) (B) (C) (D) part through inside the frame wheels outside the bag



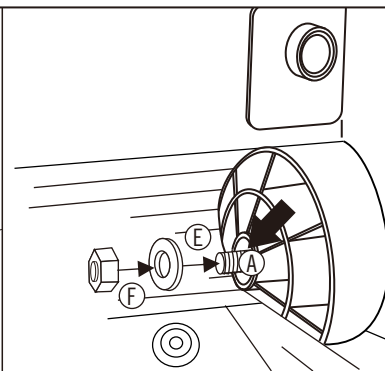
Put the (E) (F) part on screw (A) after the screw through inside the frame wheels inside the bag



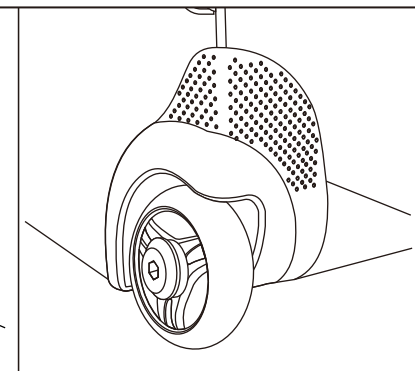
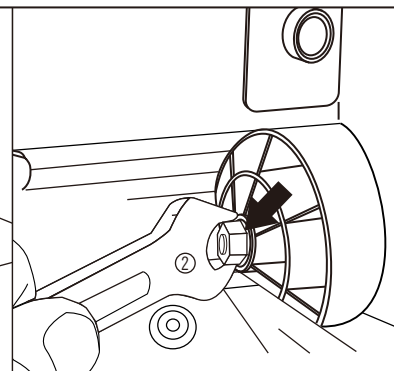
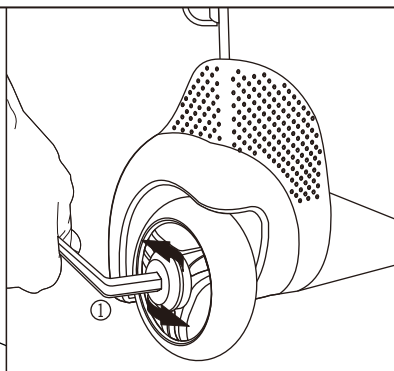
LEFT WHEEL ASSEMBLY INSTRUCTION



Install the (A) (B) (C) (D) part through inside the frame wheels outside bag



Put the (E) (F) part on screw (A) after the screw through inside the frame wheels inside the bag.



Please be sure it is tighten and secure