

DRAWMER



MX30

DUAL GATED COMPRESSOR

OPERATORS MANUAL

CONTENTS

SAFETY CONSIDERATIONS	page 1
INTRODUCTION	page 2
INSTALLATION	page 3
• Audio Connections	page 3
• Power Connection	page 5
CONTROL DESCRIPTIONS	page 6
• Gate / Expander	page 6
• Compressor	page 7
• Limiter	page 8
• Linking	page 8
OPERATION	page 9
IF A FAULT DEVELOPS	page 10
CONTACTING DRAWMER	page 10
TECHNICAL SPECIFICATION	page 11
BLOCK DIAGRAM	page 12
SESSION RECALL SHEET	page 13

COPYRIGHT

This manual is copyrighted © 2011 by Drawmer Electronics, Ltd. With all rights reserved. Under copyright laws, this manual may not be duplicated in whole or in part without the written consent of Drawmer.

ONE YEAR LIMITED WARRANTY

Drawmer Electronics Ltd., warrants the Drawmer MX30 audio processor to conform substantially to the specifications of this manual for a period of one year from the original date of purchase when used in accordance with the specifications detailed in this manual. In the case of a valid warranty claim, your sole and exclusive remedy and Drawmer's entire liability under any theory of liability will be to, at Drawmer's discretion, repair or replace the product without charge, or, if not possible, to refund the purchase price to you. This warranty is not transferable. It applies only to the original purchaser of the product.

For warranty service please call your local Drawmer dealer. Alternatively call Drawmer Electronics Ltd. at +44 (0)1709 527574. Then ship the defective product, with transportation and insurance charges pre-paid, to Drawmer Electronics Ltd., Coleman Street, Parkgate, Rotherham, S62 6EL UK. Write the RA number in large letters in a prominent position on the shipping box. Enclose your name, address, telephone number, copy of the original sales invoice and a detailed description of the problem. Drawmer will not accept responsibility for loss or damage during transit.

This warranty is void if the product has been damaged by misuse, modification or unauthorised repair.

THIS WARRANTY IS IN LIEU OF ALL WARRANTIES, WHETHER ORAL OR WRITTEN, EXPRESSED, IMPLIED OR STATUTORY. DRAWMER MAKES NO OTHER WARRANTY EITHER EXPRESS OR IMPLIED, INCLUDING, WITHOUT LIMITATION, ANY IMPLIED WARRANTIES OF MERCHANTABILITY, FITNESS FOR A PARTICULAR PURPOSE, OR NON-INFRINGEMENT. PURCHASER'S SOLE AND EXCLUSIVE REMEDY UNDER THIS WARRANTY SHALL BE REPAIR OR REPLACEMENT AS SPECIFIED HEREIN.

IN NO EVENT WILL DRAWMER ELECTRONICS LTD. BE LIABLE FOR ANY DIRECT, INDIRECT, SPECIAL, INCIDENTAL OR CONSEQUENTIAL DAMAGES RESULTING FROM ANY DEFECT IN THE PRODUCT, INCLUDING LOST PROFITS, DAMAGE TO PROPERTY, AND, TO THE EXTENT PERMITTED BY LAW, DAMAGE FOR PERSONAL INJURY, EVEN IF DRAWMER HAS BEEN ADVISED OF THE POSSIBILITY OF SUCH DAMAGES.

Some states and specific countries do not allow the exclusion of implied warranties or limitations on how long an implied warranty may last, so the above limitations may not apply to you. This warranty gives you specific legal rights. You may have additional rights that vary from state to state, and country to country.

In the interests of product development, Drawmer reserve the right to modify or improve specifications of this product at any time, without prior notice.

DRAWMER MX30

Dual Gated Compressor



SAFETY CONSIDERATIONS



CAUTION - MAINS FUSE

TO REDUCE THE RISK OF FIRE REPLACE THE MAINS FUSE ONLY WITH THE SAME TYPE, WHICH MUST BE A CLASS 3, 250 VOLT, TIME DELAY TYPE, RATED AT 32mA WHERE THE MAINS INPUT IS SET TO 230 VOLTS AC. AND 63mA WHERE THE MAINS INPUT VOLTAGE IS 115 VOLTS AC.

ALL FUSES MUST COMPLY WITH IEC 127-2.

THE FUSE BODY SIZE IS 20mm x 5mm.

CAUTION - MAINS CABLE

DO NOT ATTEMPT TO CHANGE OR TAMPER WITH THE SUPPLIED MAINS CABLE.

CAUTION - SERVICING

DO NOT PERFORM ANY SERVICING. REFER ALL SERVICING TO QUALIFIED SERVICE PERSONNEL.

WARNING

TO REDUCE THE RISK OF FIRE OR ELECTRIC SHOCK DO NOT EXPOSE THIS EQUIPMENT TO RAIN OR MOISTURE.



INTRODUCTION

The MX30 is a dual channel gate and compressor-limiter designed to fulfil the needs of professional studio and live sound applications. It may be used in balanced systems at +4dBu operating levels, or unbalanced at -10dBu.

In order to maximise flexibility while simplifying set up and operation, several new design concepts have been incorporated. The compressor section combines aspects of both the traditional ratio style compressor and the soft-knee approach, making it equally adept at creative work and unobtrusive level control. The control layout resembles that of a straight ratio style unit but the transition from unity gain to gain reduction at the selected ratio is progressive and occurs over a nominal 10dB input level range.

Traditionally, soft-knee compressors have been preferable for unobtrusive level control where the original sound is to be changed as little as possible, whereas ratio type compressors are generally considered more successful in creative applications or where large amounts of gain reduction are required. By combining these two elements, the MX30 is capable of outstanding results in a very wide range of studio and live sound situations.

One of the perennial problems in using compression is that maximum system gain occurs during extremely quiet passages or pauses which results in an increase in background noise, the degree depending on how much compression is being used. The accepted way of dealing with this problem is to include in the compressor, a separate gate section with its own threshold control so that a low level gating action may be applied to keep pauses clean. However, the problem with simple gates is that, even when properly set up, they may unwittingly process low level sounds as they have no means of identifying them from noise. On a vocal track, for example, this can lead to the starts or endings of words being accidentally removed, especially if the singer has a wide dynamic range.

The MX30 uses a proprietary Programme Adaptive gate circuit that varies its ratio depending on the dynamics of the signal being processed. Because the onset of gating is progressive, those low level signals most at risk will be treated to a lower ratio of gating (like an expander) while the residual noise during pauses will be subjected to a higher expansion ratio and will, in consequence, be attenuated more. The outcome is a gate that requires less stringent setting up and is more tolerant of wanted sounds that are only slightly above the residual noise floor.

A further feature of the MX30 is a peak limiter that allows the user to set an absolute output signal level that will not be exceeded. If the peak limiter threshold is exceeded for more than a few milliseconds, additional gain reduction will be applied to reduce the overall signal level to within accepted limits without distortion. Once the peak has passed, the system gain will return to normal over the period of about one second. This facility is extremely valuable both in live sound applications, for driver protection, and in digital recording where an absolute maximum recording level exists. Furthermore, when overdriven, it can be used creatively to produce deliberate level pumping effects.

INSTALLATION

The MX30 is designed for standard 19" rack mounting and occupies 1U of rack space. Avoid mounting the unit directly above power amplifiers or power supplies that radiate significant amounts of heat. Fibre or plastic washers may be used to prevent the front panel becoming marked by the mounting bolts.

AUDIO CONNECTIONS

Input and Output connections are provided for use at +4dBu via balanced XLRs or at -10dBu via unbalanced jacks. It is permissible to use both +4dBu and -10dBu outputs simultaneously. If unbalanced operation at +4dBu is required, simply connect the unused terminal to Ground inside the XLR cable plugs. This applies to both inputs and outputs. The wiring convention for XLR being: pin 1 Ground, pin 2 Hot and pin 3 Cold. For use with unbalanced systems, the Cold pin 3 must be grounded at both input and output XLRs.

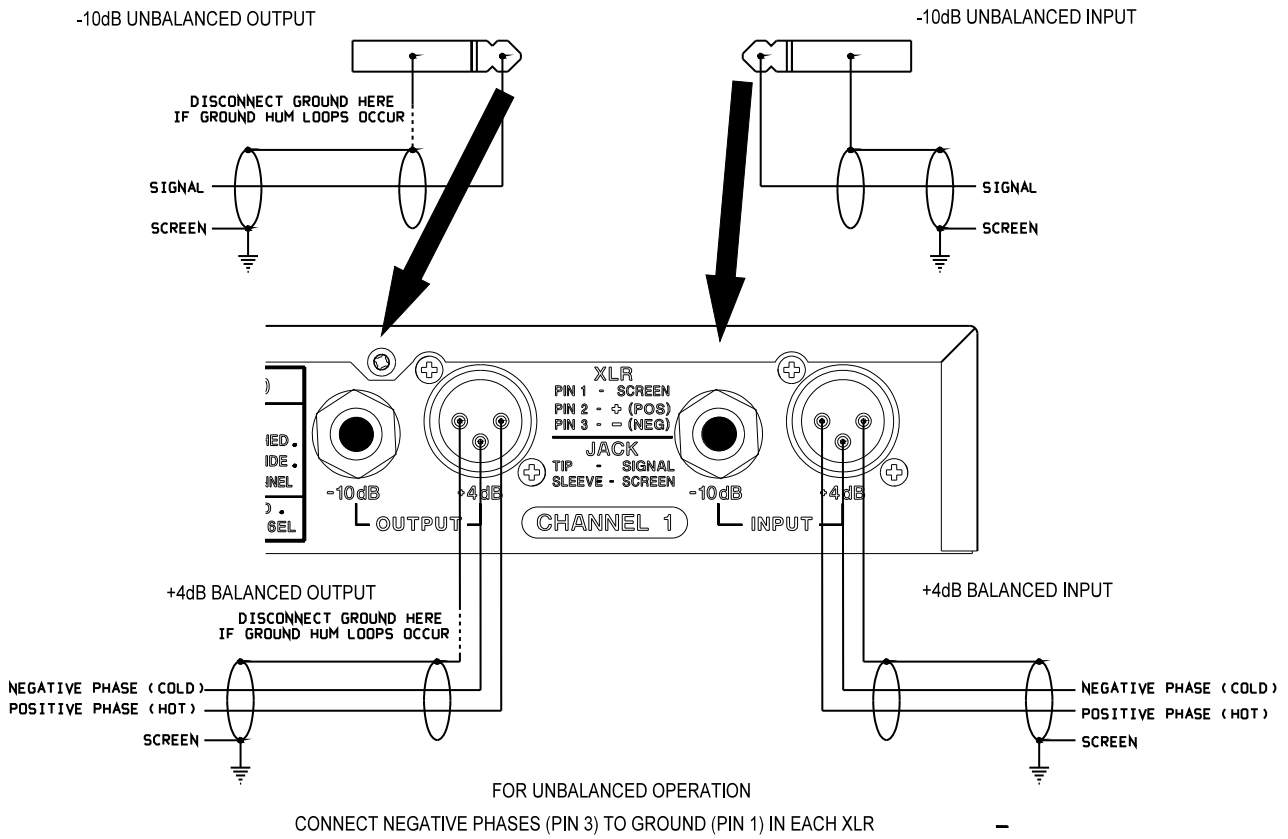
Interference: If the unit is to be used where it may be exposed to high levels of disturbance such as found close to a TV or radio transmitter, we suggest that the unit be operated using the XLR connectors. The screens of the signal cables should be connected to the chassis connection on the XLR connector as opposed to connecting to pin 1. The MX30 fully conforms to the EMC standards.

Ground Loops: If ground loop problems are encountered, **never** disconnect the mains earth, but instead, try disconnecting the signal screen on one end of each of the cables connecting the outputs of the MX30 to the patchbay. If such measures are necessary, balanced (XLR) operation is recommended.

Level Conversion: It is possible to apply an input to the MX30 at only one of the two possible levels, say -10dB via the jack socket, and utilise both of the output levels and cable options of -10dB and +4dB simultaneously.

One useful example of this connection option would be if the unit was used to process a keyboard - commonly these have an output level of -10dB, and are terminated with jack sockets. It is feasible using the MX30's dual output capability to use the -10dB jack input to feed from the keyboard and the -10dB output onwards to the amplifier, and the +4dB balanced XLR connector for a direct feed to the mixing console. This removes the need for any DI box or cable splitter. In this example, ground loop considerations may be required.

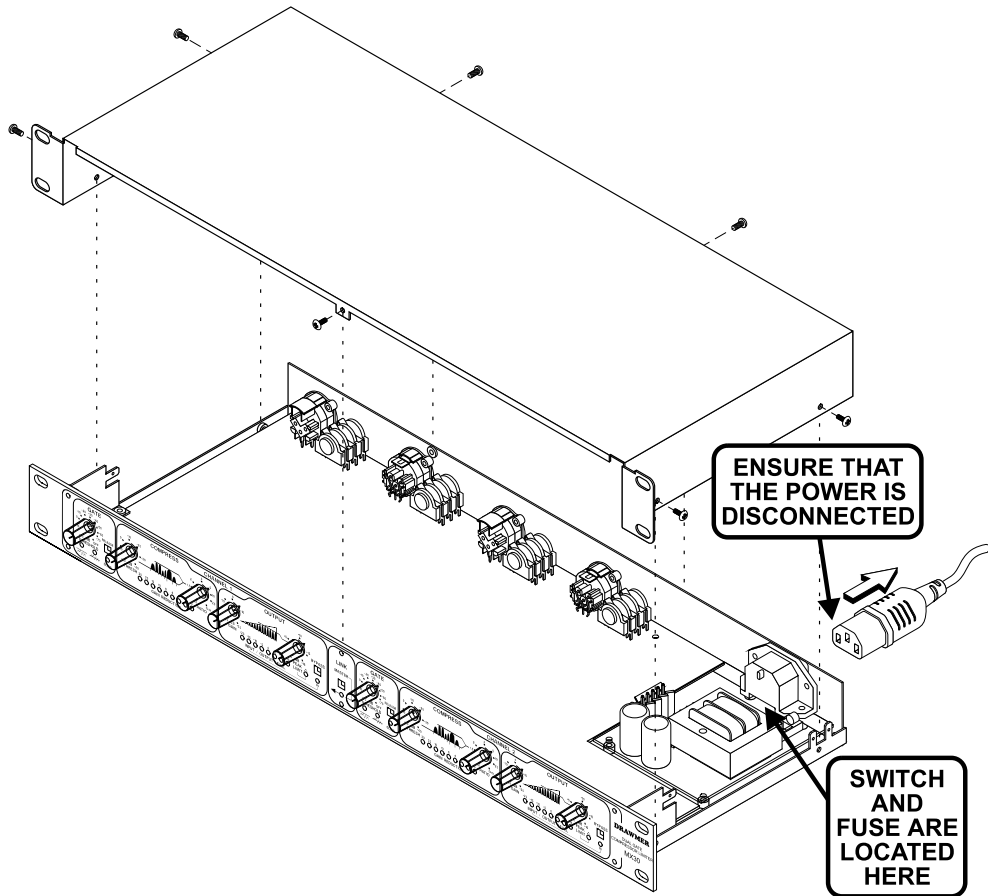
AUDIO CONNECTION DIAGRAM



POWER CONNECTION

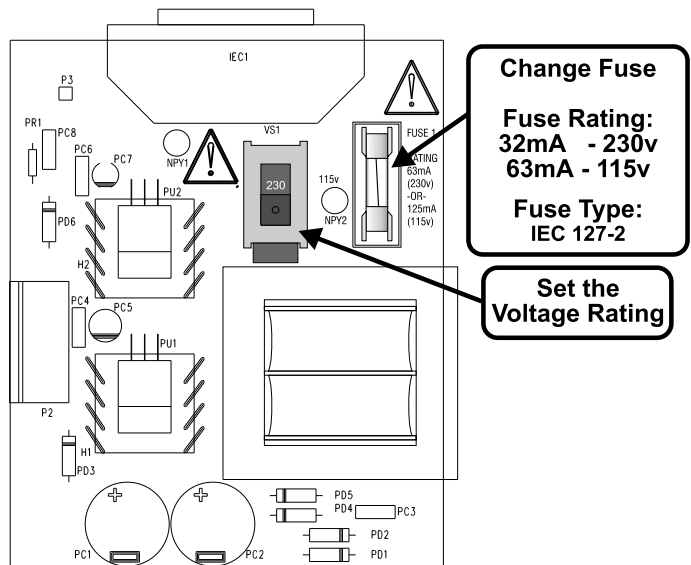
If, for some reason, the unit is to be operated at a mains input voltage which is different to that as supplied, the following procedure must be carried out by a qualified technical engineer.

- 1: Disconnect the unit from the mains.
- 2: Using a number 1 size pozidrive screwdriver, remove the seven self-tapping screws that retain the top cover.



Accessing the internal power switch and fuse

3. Set the voltage rating and replace the fuse.
4. Replace the cover.



CONTROL DESCRIPTION

Both channels of the MX30 are identical and may be used completely independently or linked for stereo operation. In the linked mode, only the left-hand channel controls are functional and serve as master controls, though the channel bypass switches remain independent. In linked mode, the compressor / limiters, peak limiters and gates / expanders of the two channels track together to avoid the inevitable image shifting that would occur if the two channels of a stereo signal were treated independently.



GATE

Threshold:



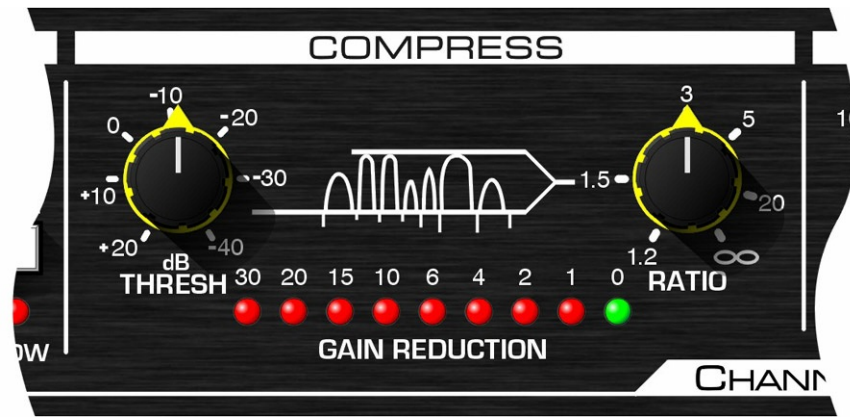
This control sets the level below which gating starts to take place and may be set in the range -70dB to +20dB. The red LED which signifies signal below threshold, and green LED (signifying signals above threshold) will indicate the gate activity. Note: because the gate / expansion ratio varies with signal level, it is possible to arrive at a situation where the two LEDs may show some action when little or no perceived gain reduction is taking place.

This means that the gate Threshold may need to be set a little higher than it would with a conventional gate and final setting is best done by ear. The adaptive gating system used in the MX30 means, however, that setting up is not over-critical and the gating action is far more progressive.

Release:



Either a fast or slow release time may be selected depending on the material being processed. Fast release is achieved with the switch out and Slow release with the switch depressed. Percussive material with little or no reverb is best treated using the fast release setting, whereas material with slow decays or a significant amount of added reverberation will usually respond better to the longer release setting.



COMPRESSOR

Threshold:



This control determines the input level above which gain reduction will be applied and may be set in the range -40 to +20dB. Soft knee compression takes place for signals exceeding the threshold level by up to 10dB above which level, conventional 'ratio' compression is applied.

Ratio:



Sets the final compression ratio that will be applied once the 10dB 'soft-knee' region is exceeded. The ratio may be continuously adjusted from 1.2:1 to ∞ (infinity):1 allowing the possibility of true hard limiting.

Gain Reduction Meter:

A nine segment LED bargraph meter continuously monitors the gain reduction applied by the compressor/limiter over the range 0 to 30dB.

OUTPUT

Gain:



The output level may be attenuated or amplified by up to 20dB to compensate for level changes caused by compression and limiting. This control comes before the Peak limiter detector and this fact should be taken into account when setting the Peak limiter threshold.

Input / Output Level Meter:

This is an eight-segment LED bargraph level meter that monitors the level of the output signal over the range -20dB to +15dB with reference to the selected (-10dBu or +4dBu) operating level. When Bypass is enabled, this meter will show the level of the unprocessed signal passing through the unit.

PEAK LIMITER

Level:

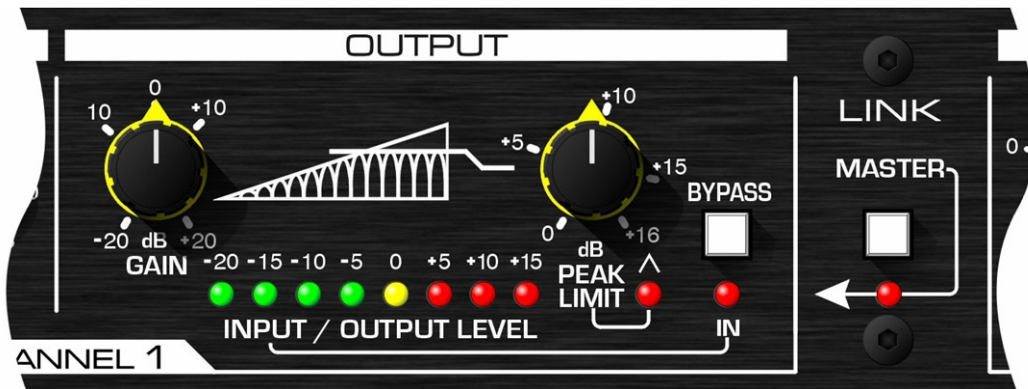


Sets an absolute limit to the level that the output signal will not be permitted to exceed. This limiter is very fast acting enabling it to control any peaks without audible distortion. If the output signal is so high as to cause the limiter to operate for more than 20mS, the system gain is automatically reduced to bring the signal back within range. The system gain is then returned to normal over a period of approximately one second. The compressor Gain control should be used to ensure that the peak limiter operates only rarely if at all, if it is to be used purely for peak protection. Alternatively, it may be deliberately driven into limiting to produce creative effects.

Bypass:



This switch causes all signal processing for this channel to be disabled. Normally the switch is used to compare the raw unprocessed signal verses with any gating, compression and limiting of the audio input.



LINKING

Master:



Depressing this switch configures the unit in stereo mode where the left-hand channel controls act as master for both audio channels, (except the Bypass buttons which always function for their respective channels).

The same degree of gain reduction is applied to both audio channels to prevent image shifting which would otherwise occur whenever the left and right signal dynamics varied from each other by any significant degree.

OPERATION

The unit should be connected in line with the signal to be processed via suitable insert points. Ensure that the insert send and return level on your console matches the MX30 input/output sockets that are being used.

For single channel use, each channel may be considered as completely independent and set up accordingly. For use with stereo signals, such as complete mixes or submixes, the unit should be switched to Stereo Link mode and all setting up done using the left-hand channel controls, except the Bypass buttons, which are always independent.

Setting up is simpler if the Gate is initially turned off and the Peak Limiter threshold set to maximum. This allows the compressor/limiter to be set up in isolation. The ratio setting depends on how firmly the signal dynamics need controlling; as a rule, higher ratios provide a higher degree of control but also tend to be more audible in operation when high levels of gain reduction are required. The integral soft-knee feature of the MX30 renders these effects far less pronounced, but this factor should still be taken into consideration when setting up. In general, a higher compression ratio may be used than on a conventional compressor without compromising the sound quality.

Setting up is now simply a matter of adjusting the Threshold control until the desired amount of gain reduction occurs. This is judged partly by ear and partly by observing the gain reduction meter. Usually, a maximum gain reduction of between 6dB and 10dB will be adequate. If more gain reduction appears necessary, it is worth considering applying a conservative degree of compression during recording and then further compression while mixing.

Compressing during a mix does increase the subjective level of tape and other background noises during pauses and quiet passages but, unless the noise contamination is serious, the Gate section will be able to attenuate it to a very high degree without compromising the wanted signal.

Compressors are often accused of dulling the sound being processed, and a little explanation is needed to understand exactly why that is. What happens is that bass sounds, which contain most of the energy in a typical piece of music, cause the compressor to operate, and so any quieter, high frequency sounds occurring at the same time as the bass sound will also be turned down in level. That is why the cymbals and hi-hats in a heavily compressed drum track seem to dip in level whenever a loud bass drum or snare drum beat occurs.

At this point, the Gate Threshold may be set up and you should try both release time settings to see which is least obtrusive in operation. For all but sharp percussive sounds, the longer setting is likely to give the best results. Set the threshold using a piece of program material that contains pauses, and adjust the threshold to be as low a dB level as possible while still attenuating the noise during pauses. Listen carefully to how the sounds come in after the pauses and how cleanly they fade away again: if you can hear the gate changing the sound in an unacceptable way, then the threshold is probably set too high.

Because the Gate is self-adapting to the programme dynamics, it should be possible to obtain far more satisfactory results than are possible with conventional gates. Similarly, do not assume that because the gate threshold LEDs flicker during a piece of quiet but wanted material that it is having a detrimental effect. When it first comes into play, the ratio of expansion is very low, so trust your ears!

Finally, set the Gain control to give the required output level using the level meter to guide you. Avoid running at very high output levels as this reduces the available amount of signal headroom and could lead to distortion in extreme cases. Once the gain is correct, set the Peak Limiter Level control so that the limiter LED only lights briefly on extreme signal peaks. Alternatively, set the Peak limiter Level to the desired value and then adjust the compressor Gain control to ensure minimum limiter activity.

If required, the Gate may be used on its own with the compressor and limiter functions disabled. The Peak limiter has no separate on / off control, but turning the Level control fully clockwise will prevent any unwanted limiter action. To effectively bypass the compressor section turn the compressor Threshold up to its maximum of +20dB (fully counter-clockwise), set the Ratio to its lowest setting of 1.2:1 and adjust the Gain to approximately 0dB.

IF A FAULT DEVELOPS

For warranty service please call Drawmer Electronics Ltd. Or their nearest authorised service facility, giving full details of the difficulty. On receipt of this information, service or shipping instructions will be forwarded to you. No equipment should be returned under the warranty without prior consent from Drawmer or their authorised representative.

For service claims under the warranty agreement a service Returns Authorisation (RA) number will be given. Write this RA number in large letters in a prominent position on the shipping box. Enclose your name, address, telephone number, copy of the original sales invoice and a detailed description of the problem.

Authorised returns should be prepaid and must be insured. All Drawmer products are packaged in specially designed containers for protection. If the unit is to be returned, the original container must be used. If this container is not available, then the equipment should be packaged in substantial shock-proof material, capable of withstanding the handling for the transit.

CONTACTING DRAWMER

Drawmer Electronics Ltd., will be pleased to answer all application questions to enhance your usage of this equipment. Please address correspondence to:

Drawmer (Technical Help line) : Coleman St.: Parkgate : Rotherham : S62 6EL : UK
or, E-mail us on : tech@drawmer.com

Drawmer dealers, Authorised service departments and other contact information can be obtained from our web pages on <http://www.drawmer.com>

TECHNICAL SPECIFICATIONS

(Measurements taken using +4dBu balanced XLR input where applicable)

INPUT IMPEDANCE	20KOhm (bal), 4KOhm (unbal)
MAXIMUM INPUT LEVEL	+21dBu
OUTPUT IMPEDANCE	50 Ohm (bal), 100 Ohm (unbal)
MAXIMUM OUTPUT LEVEL	+20dBu
BANDWIDTH	<10Hz to 36KHz -1dB
CROSSTALK	@ 10KHz -94dB @ 1KHz <100dB

NOISE AT UNITY GAIN with Gate OFF

	Wideband	22Hz - 22KHz	CCIR ARM	IEC A	Q-Pk CCIR
AV	-95dB	-101dB	-100dB	-102dB	-89dB
RMS	-95dB	-101dB	-98dB	-100dB	-87dB

DISTORTION

Typical Input	100Hz	1KHz	10KHz
Unity Gain, +4dBu input	< 0.03%	< 0.02%	<0.03%
+14dBu input, 10dB Gain Red.	< 0.2%	< 0.2%	< 0.2%

POWER REQUIREMENTS	115Volt or 230Volt at 50-60Hz, 9 Watts
FUSE RATING	T32mA for 230Volt, T63mA for 115Volt CONFORMING TO IEC 127-2
FUSE TYPE	20mm x 5mm, Class 3 Slo-Blo, 250Volt working
CASE SIZE	482mm (w) x 44mm (h) x 200mm (d)
WEIGHT (incl packaging)	3.2 Kgs

BLOCK DIAGRAM

