



EON515XT

Portable Self-Powered 15", Two-Way, Bass-Reflex Design

Professional Series

Applications:

- ▶ Live Sound Reinforcement for Speech and Vocals (Presenters, Singers or Entertainers, Teachers)
- ▶ Music Playback for Entertainment, A/V and Institutional Venues (DJ's, A/V rental companies, Houses of Worship, Nightclubs or Social organizations)
- ▶ Amplification for Musical Instruments (Electronic Keyboards, Acoustic Guitars and Basses, Brass and Woodwinds, Percussion)
- ▶ Floor Monitors for Live Sound Applications

Features:

- ▶ Highly designed composite enclosures for durability, lightweight, and precise acoustic performance
- ▶ True portability weighing only 14.8 kg (32.5 lb)
- ▶ Multiple handles with comfort rubber grips for easy transport
- ▶ Multi angle enclosure for main PA or floor monitor applications
- ▶ Integrated 36 mm pole mount socket with stabilizing securing screw
- ▶ Integrated M10 suspension points for easy fixed installation
- ▶ 100° H x 60° V asymmetrical wave guide for uniform audience coverage
- ▶ 1 5" Differential Drive® low-frequency driver with neodymium magnet for low-distortion and light weight
- ▶ 1" throat diameter next generation JBL neodymium compression driver
- ▶ Efficient Crown® Hybrid Class-D amplifier technology
- ▶ 625 watt high-performance powered speaker system
- ▶ Intuitive onboard 3-Channel Mixer
- ▶ Line level and direct microphone input capability
- ▶ User adjustable Bass and Treble controls
- ▶ Unique Mix/Loop signal flow function for extended system application
- ▶ Easy "Daisy-Chain" connections for extending the system

The EON515XT was engineered for durability, high performance and ease of use. We've extended the reach of the current EON technology by improving input sensitivity, lowering the noise floor, adding user selectable EQ control and re-voicing the system for peak performance and enhanced audio precision. The intuitive onboard 3-channel mixer with adjustable EQ assures that you're in control of the sound and the sturdy construction and superior ergonomic design will guarantee a lifetime of reliability and simplicity.

The EON515XT is a 15-inch, two-way, powered, portable speaker system. Capable of reproducing full bandwidth sound at high levels it offers the additional utility of a 3 channel built-in mixer. The 515XT is comprised of a 380 mm (15 in) Differential Drive® woofer, a 25.4 mm (1 in) neodymium high frequency compression driver coupled to a 100° H by 60° V waveguide. Both components are driven by the discrete channels of a Crown® Hybrid Class-D integrated power amplifier. The input section contains all crossover functions, protection, and mixer functionality.

The intelligent onboard mixer is perfectly suited to accommodate multiple input sources simultaneously. With two, ¼" TRS Phone jacks and one Neutrix combination jack, the mixer is capable of blending 3 discrete sources. The "loop-through" option allows for additional signal routing while the global Bass and Treble feature puts you in immediate control.



In addition to acoustic performance the EON515XT features three full size deep-well handles, light weight, and balanced ergonomics. The new generation of EON products offers true portability and ease of handling. Five standard M10 rigging points and integrated pole mount socket increase the system's utility. The extremely rugged Polypropylene enclosure has been designed for main and 45° monitor orientation in the left and right hand configuration. A full screen-backed, Powder coated steel grille offers additional protection for both the woofer and compression driver components.

System Specifications:

System Type:	Self powered 15", two-way, bass-reflex
Maximum SPL Output:	132 dB
Frequency Range (-10 dB):	39 Hz -20 kHz
Frequency Response (±3 dB):	42 Hz - 18 kHz
Input Connectors:	2 x 1/4" TRS phone jacks balanced/unbalanced 1 x XLR / 1/4" TRS combo jack with XLR loop through
Input Impedance:	14k ohms
Signal Indicators:	Limit: Red LED indicates limiter active condition Signal: Green LED indicates signal present Mic: Indicates the MIC/LINE switch is in the "MIC" position
	EQ: Individual Bass and Treble controls, center detent, 6 dB cut and boost Bass +/- 6 dB (200 Hz turnover frequency) Treble +/- 6 dB (4 kHz turnover frequency)
Mic Input Gain:	-Infinity to +40 dBu
Line Input Gain:	-Infinity to +4 dBu (+18 dBu maximum input level)
Limiter:	Yes

Amplification

Amplifier Design:	Crown® Class-D
System Power Rating:	625 Watts (525 + 100)

Speaker Specification

LF Driver:	1 x JBL 265F-1 380 mm (15") Differential Drive® integrated woofer with dual 2" voice coils
HF Driver:	1 x JBL 2414H 25.4 mm (1") annular polymer diaphragm, neodymium compression driver
Coverage Pattern:	100° H x 60° V nominal
Crossover Frequency:	1.7 kHz

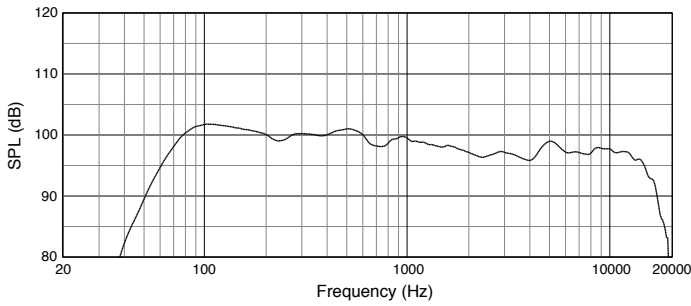
Enclosure

Material:	Polypropylene, multi-purpose main & monitor
Suspension / Mounting:	36 mm pole socket with stabilizing screw, 5 x M10 suspension points
Handles:	One left/right side, one on top, with rubber grip
Finish:	Black Granite
Grille:	Powder coated perforated steel with acoustically transparent cloth backing.
Dimensions (H x W x D):	673 mm x 406 mm x 368 mm (26.5" x 16" x 14.5")
Net Weight:	14.8 kg (32.5 lb)

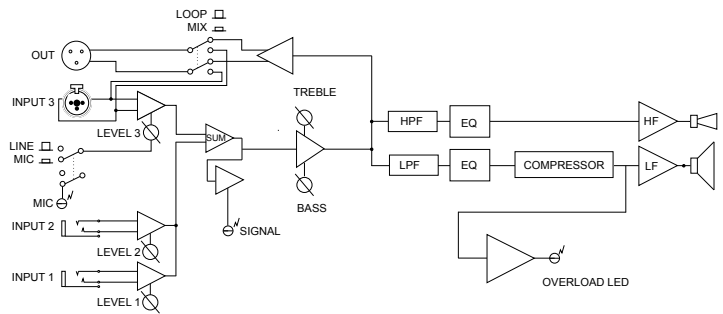
JBL continually engages in research related to product improvement. Some materials, production methods and design refinements are introduced into existing products without notice as a routine expression of that philosophy. For this reason, any current JBL product may differ in some respect from its published description, but will always equal or exceed the original design specifications unless otherwise stated.

EON515XT Portable Self-Powered 15", Two-Way, Bass-Reflex Design

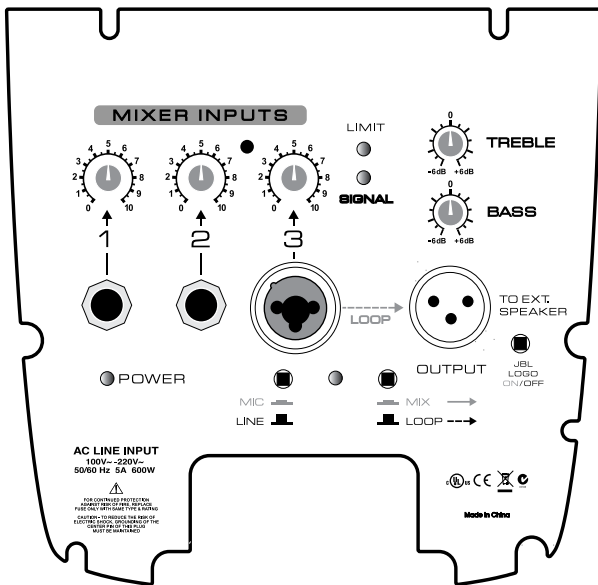
On Axis Frequency Response



Block Diagram



Input Panel



Dimensions

