

**MACKIE****SRM550 & SRM650****1600W High-Definition
Powered Loudspeakers**

SRM550 and SRM650

The SRM550 and SRM650 1600W High-Definition Powered Loudspeakers deliver a new level of SRM ruggedness, output, clarity, simplicity and unmatched bass response, ideal as a main or monitor. Truly “Built-Like-A-Tank,” huge system power is paired with custom transducers within professional-grade, internally-braced all-wood cabinets that redefine tough.

The SRM550 and SRM650 feature our High Definition Audio Processing™, including patented acoustic correction DSP for the ultimate in high-definition sound, plus system optimization tools like application-specific speaker modes and an amazingly accurate feedback destroyer.

Ready for anything, the integrated 2-channel mixer with Wide-Z™ inputs can handle any signal with ease. The SRM550 and SRM650 deliver the modern output, amazing sound and proven durability you demand from a portable loudspeaker.

FEATURES:

- 1600W system power paired with custom transducers deliver gig-level volumes with room to spare
 - 12" high-output LF driver / 1.4" titanium dome compression driver [SRM550]
 - 15" high-output LF driver / 1.4" titanium dome compression driver [SRM650]
- “Built-Like-A-Tank” all-wood, internally braced cabinet delivers professional-grade road-worthiness
 - Rugged 18-gauge steel grille and fine-textured, sleek black cabinet finish
 - Front ported for maximum low-end extension and punch
- High-Definition Audio Processing for professional sound with unmatched clarity
 - Patented acoustic correction developed with touring geniuses at EAW®
 - Precision 2-way digital crossover
 - Driver time alignment and phase correction
- Quick one-button Speaker Mode selection for application-specific voicing (PA, DJ, Monitor and Soloist)
- Effortlessly eliminate nasty feedback with one-button automatic Feedback Destroyer
- Integrated 2-channel mixer featuring dual Wide-Z™ inputs
 - Handles anything from mics to guitars to mixers with a single twist of the gain knob
 - Includes stereo RCA inputs for easy connection to music source
 - Perfect for the singer/songwriter, plug in and leave the mixer at home
- Smart Protect™ DSP kicks in to protect your investment when things get pushed a little too hard
- Monitor-specific 60° angle and voicing mode perfect for cutting through on stage

**Like us****Follow us****Watch our dang videos**

**MACKIE****SRM550 & SRM650****1600W High-Definition
Powered Loudspeakers**

SRM550/650 LOUDSPEAKER SPECIFICATIONS

Acoustic Performance

Frequency Response (-3 dB)	55 Hz – 17 kHz [SRM550] 50 Hz – 17 kHz [SRM650]
Frequency Response (-10 dB)	49 Hz – 20 kHz [SRM550] 39 Hz – 20 kHz [SRM650]
Max peak SPL	132 dB [SRM550] 133 dB [SRM650]
Crossover Point	3 kHz
Dispersion	90° x 50°

High-Frequency Section

Voice Coil Diameter	1.0 in / 25 mm
Horn Entry Diameter	1.4 in / 36 mm
Diaphragm Material	Titanium
Magnet Material	Ferrite

Low-Frequency Section

Woofer Diameter	12.0 in / 305 mm [SRM550] 15.0 in / 381 mm [SRM650]
Voice Coil Diameter	2.6 in / 66 mm [SRM550] 3.0 in / 76 mm [SRM650]
Diaphragm Material	Paper
Magnet Material	Ferrite

Power Amplifiers

System Power Amplification	
Rated Power	800 watts rms 1600 watts peak

Low Frequency Power Amplifier

Rated Power	400 watts rms 800 watts peak
Rated THD	< 1%
Cooling	Convection
Design	Class D

High Frequency Power Amplifier

Rated Power	400 watts rms 800 watts peak
Rated THD	< 1%
Cooling	Convection
Design	Class D

Input / Output

Channel 1	
Mic-Line	8 kΩ balanced
1/4" TRS, Wide-Z™	1 MΩ unbalanced
Channel 2	
Mic-Line	8 kΩ balanced
1/4" TRS, Wide-Z™	1 MΩ unbalanced
RCA	25 kΩ unbalanced
Thru	Male XLR balanced [Passive when the Ch 1 / Mix switch is in the "out" (Ch 1) position] [Active when the Ch 1 / Mix switch is in the "in" (Mix) position]

Power

US detachable line cord	90 – 130 VAC, 60 Hz, 200W
EU detachable line cord	190 – 240 VAC, 50 Hz, 200W
AC Connector	3-pin IEC 250 VAC
Power Supply Type	Switchmode
Operating Temperature [extended ambient temperature]	0 - 40 °C 32 - 104 °F

Safety Features

Input Protection	Peak and RMS limiting, power supply and amplifier thermal protection
Display LEDs	Defeatable front power ON (Running Man logo), Front load power limiter, Speaker Mode, Feedback Destroyer, input signal

Construction Features

Cabinet	15 mm Poplar
Finish	High durability black paint
Handles	One on each side
Grille	Powder-coated 18 gauge steel
Fly Points	Three M10 x 1.5 x 37 mm
Monitor Angle	60°

**MACKIE****SRM550 & SRM650****1600W High-Definition
Powered Loudspeakers****SRM550/650 LOUDSPEAKER SPECIFICATIONS CONT...****Mounting Methods**

Floor mount, pole mount or fly via three integrated M10 mounting points (using M10 x 1.5 x 37 mm forged shoulder eyebolts).

Physical Properties (packaged product)**SRM550**

Height	24.7 in / 627 mm
Depth	18.9 in / 480 mm
Width	18.3 in / 465 mm
Weight	44 lb / 20 kg

SRM650

Height	28.9 in / 734 mm
Depth	22.0 in / 559 mm
Width	21.9 in / 556 mm
Weight	55 lb / 24.9 kg

Physical Properties (product)**SRM550**

Height	23.0 in / 585 mm
Width	14.2 in / 360 mm
Depth	14.9 in / 377 mm
Weight	37 lb / 16.8 kg

SRM650

Height	26.7 in / 677 mm
Width	17.5 in / 445 mm
Depth	17.4 in / 441 mm
Weight	46 lb / 21 kg

Options

PA-A2 Forged Shoulder Eyebolt Kit (3 x M10 x 1.5 x 37 mm)	P/N 0028272
SPM200 Loudspeaker Pole Mount	P/N 2035170-01
SRM550 Loudspeaker Cover	P/N 2036809-22
SRM650 Loudspeaker Cover	P/N 2036809-23

Ordering Information

SRM550 1600W 12" Powered Loudspeaker, US	P/N 2037992-00
SRM550 1600W 12" Powered Loudspeaker, EU	P/N 2037992-01
SRM550 1600W 12" Powered Loudspeaker, AU	P/N 2037992-04
SRM550 1600W 12" Powered Loudspeaker, CN	P/N 2037992-05
SRM550 1600W 12" Powered Loudspeaker, BZ (120V)	P/N 2037992-06
SRM550 1600W 12" Powered Loudspeaker, BZ (230V)	P/N 2037992-16
SRM650 1600W 15" Powered Loudspeaker, US	P/N 2037982-00
SRM650 1600W 15" Powered Loudspeaker, EU	P/N 2037982-01
SRM650 1600W 15" Powered Loudspeaker, AU	P/N 2037982-04
SRM650 1600W 15" Powered Loudspeaker, CN	P/N 2037982-05
SRM650 1600W 15" Powered Loudspeaker, BZ (120V)	P/N 2037982-06
SRM650 1600W 15" Powered Loudspeaker, BZ (230V)	P/N 2037982-16




MACKIE®

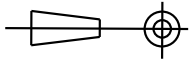
SRM550 & SRM650

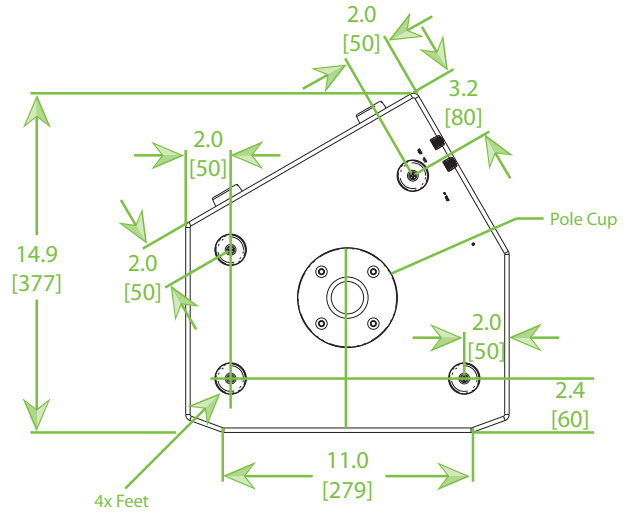
1600W High-Definition Powered Loudspeakers

SRM550 LOUDSPEAKER DIMENSIONS

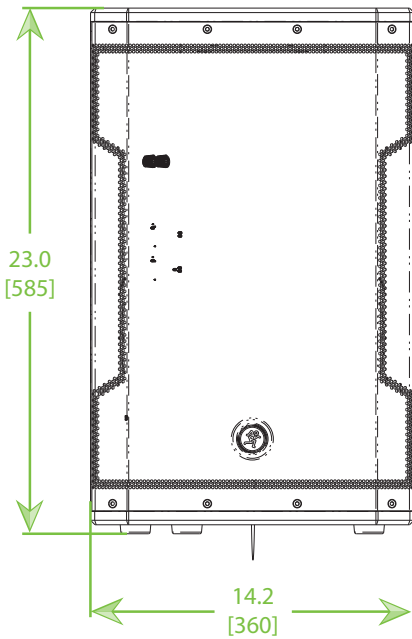
NOTES:

1. SYMBOL  INDICATES CENTER OF BALANCE.
2. WEIGHT APPROX. 37 lb [16.8 kg].
3. SHIPPING WEIGHT APPROX. 44 lb [20 kg].

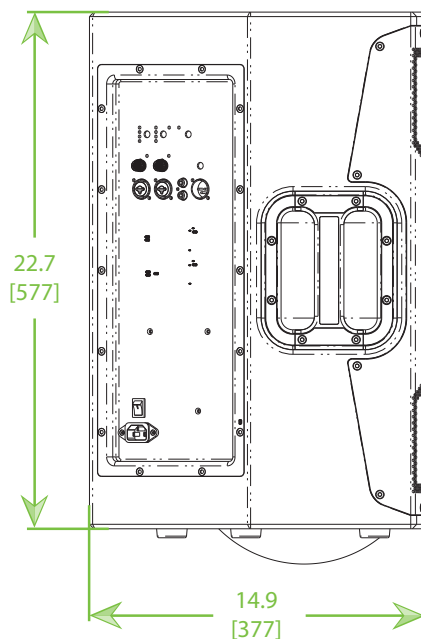
<p>THIRD ANGLE PROJECTION</p> 	<p>UNLESS OTHERWISE SPECIFIED: ALL DIMENSIONS ARE IN INCHES DUAL [MM] DIMENSIONS FOR REF ONLY</p> <p>TOLERANCE IN INCHES LINEAR ± 0.13 in / ± 3.3 mm ANGLES $\pm 1^\circ$</p> <p>(X.XX) = REF DIMS NO TOLERANCE IMPLIED</p> <p>TSC = THEORETICAL SHARP CORNER</p> <p>DIMENSIONS ACROSS CENTERLINES TO BE SYMMETRICAL</p>
<p>THE INFORMATION CONTAINED HEREIN IS PROPRIETARY AND CONFIDENTIAL PROPERTY OF LOUD TECHNOLOGIES, INC. ALL RIGHTS RESERVED</p>	



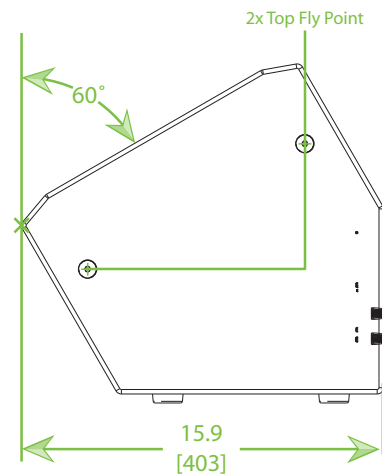
BOTTOM



FRONT



BACK



TOP




MACKIE

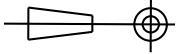
SRM550 & SRM650

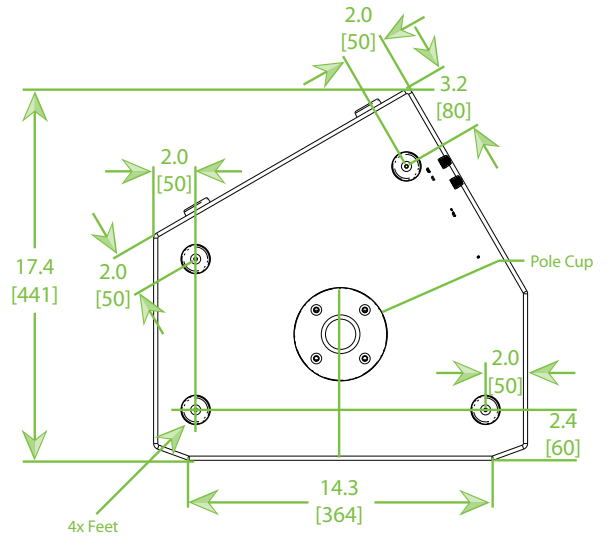
1600W High-Definition Powered Loudspeakers

SRM650 LOUDSPEAKER DIMENSIONS

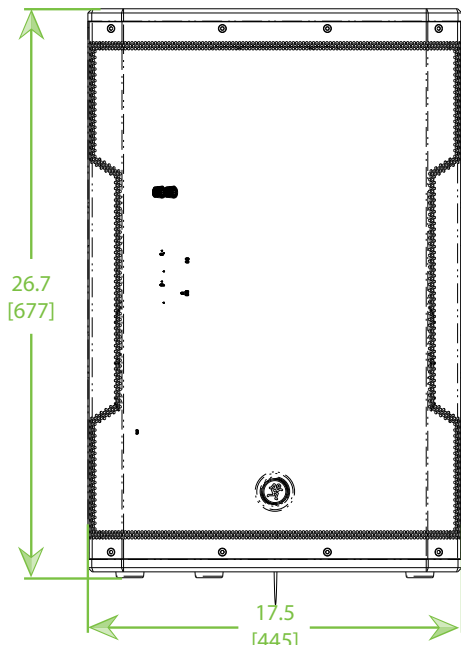
NOTES:

1. SYMBOL  INDICATES CENTER OF BALANCE.
2. WEIGHT APPROX. 46 lb [21 kg].
3. SHIPPING WEIGHT APPROX. 55 lb [24.9 kg].

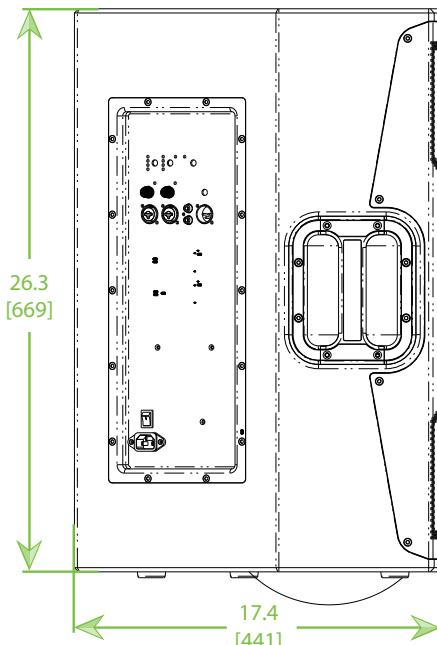
<p>THIRD ANGLE PROJECTION</p> 	<p>UNLESS OTHERWISE SPECIFIED: ALL DIMENSIONS ARE IN INCHES DUAL [MM] DIMENSIONS FOR REF ONLY</p> <p>TOLERANCE IN INCHES LINEAR ± 0.13 in / ± 3.3 mm ANGLES $\pm 1^\circ$</p> <p>(X.XX) = REF DIMS NO TOLERANCE IMPLIED</p> <p>TSC = THEORETICAL SHARP CORNER</p> <p>DIMENSIONS ACROSS CENTERLINES TO BE SYMMETRICAL</p>
<p>THE INFORMATION CONTAINED HEREIN IS PROPRIETARY AND CONFIDENTIAL PROPERTY OF LOUD TECHNOLOGIES, INC. ALL RIGHTS RESERVED</p>	



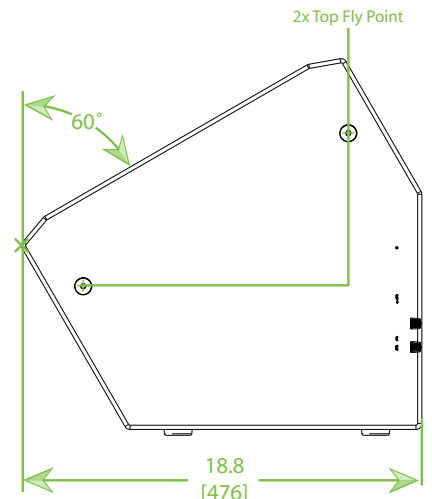
BOTTOM



FRONT



BACK



TOP

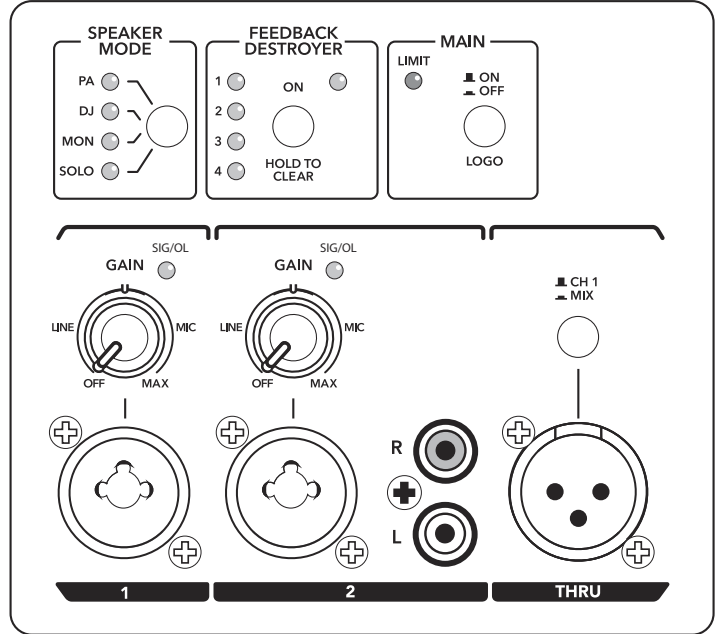
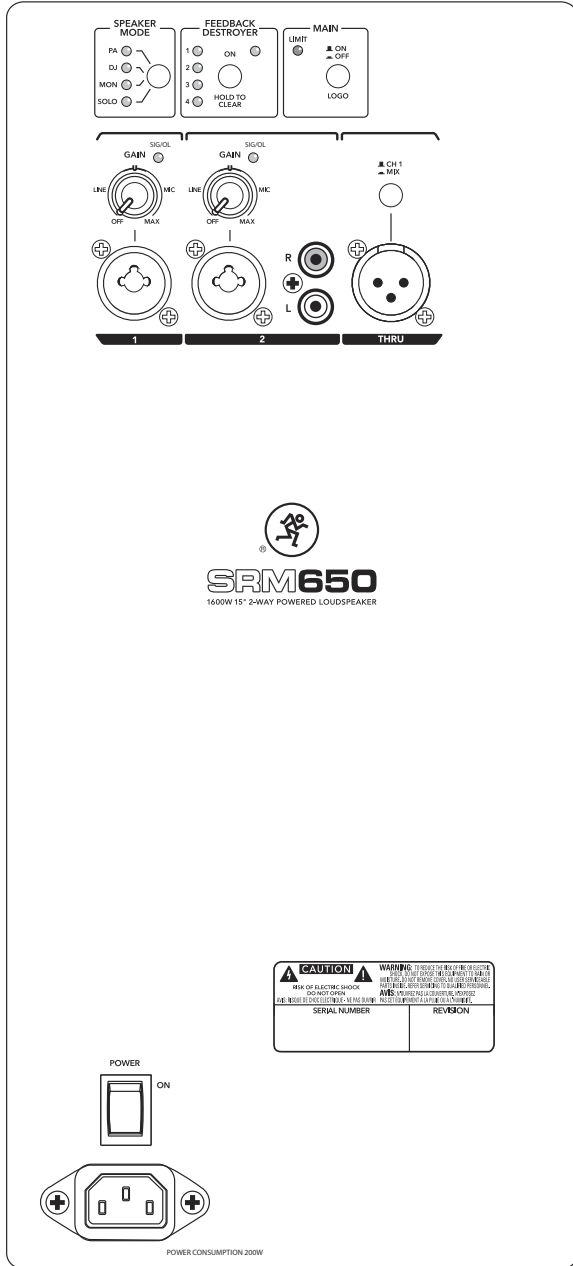


MACKIE

SRM550 & SRM650

1600W High-Definition Powered Loudspeakers

SRM550/650 LOUDSPEAKER REAR PANEL



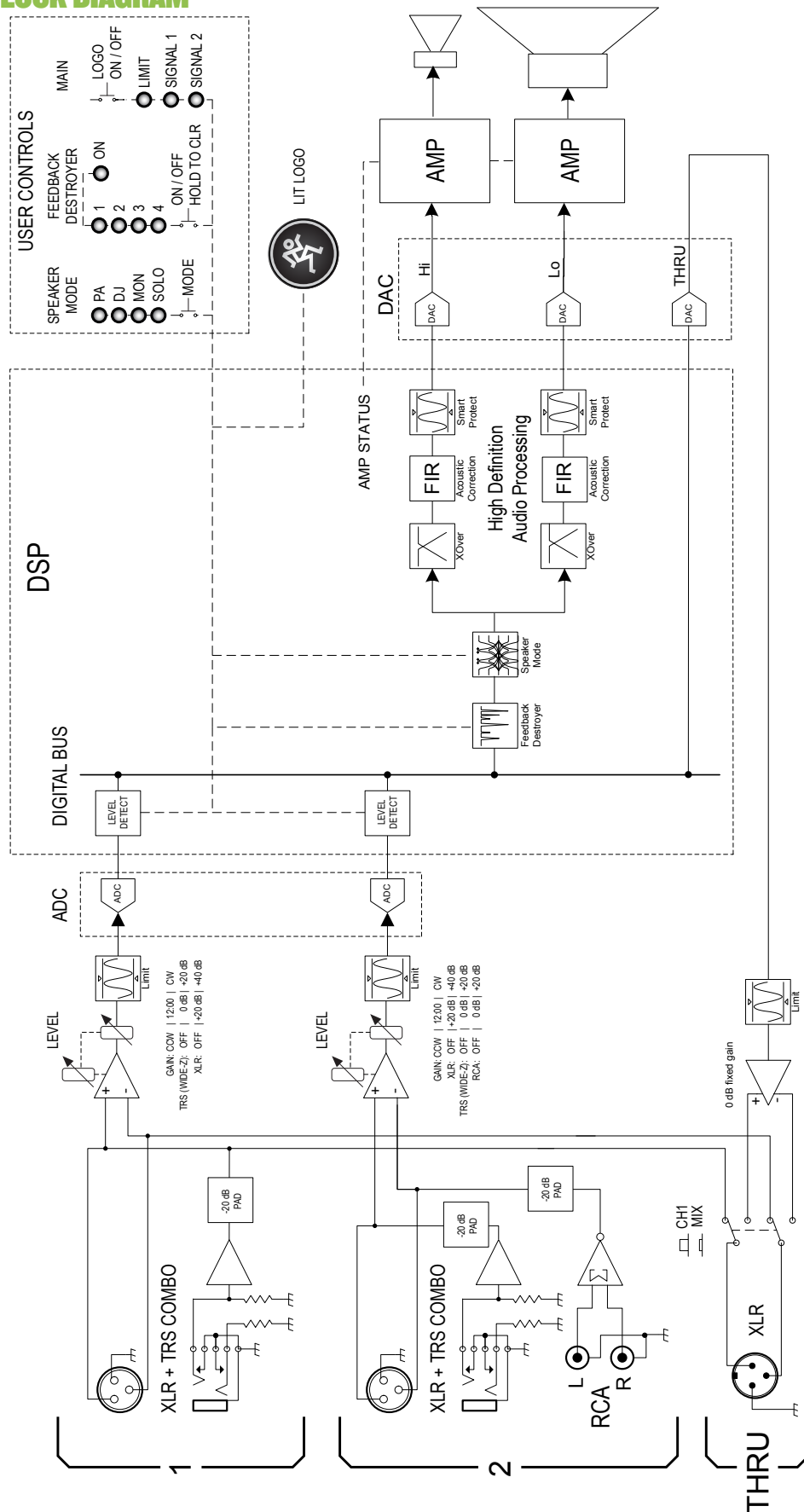


MACKIE

SRM550 & SRM650

1600W High-Definition Powered Loudspeakers

SRM550/650 BLOCK DIAGRAM





MACKIE

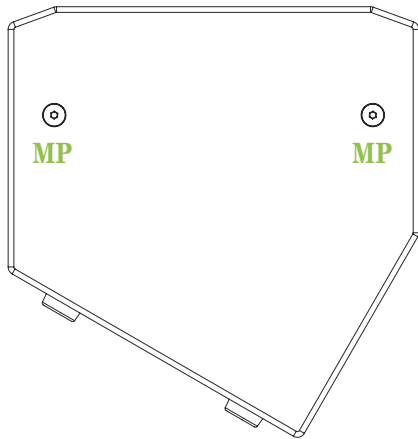
SRM550 & SRM650

**1600W High-Definition
Powered Loudspeakers**

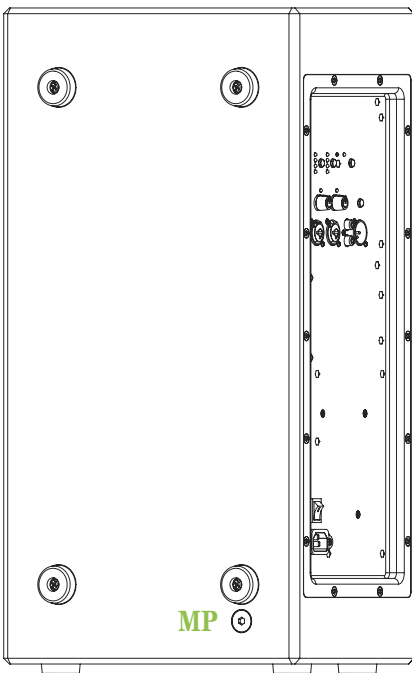
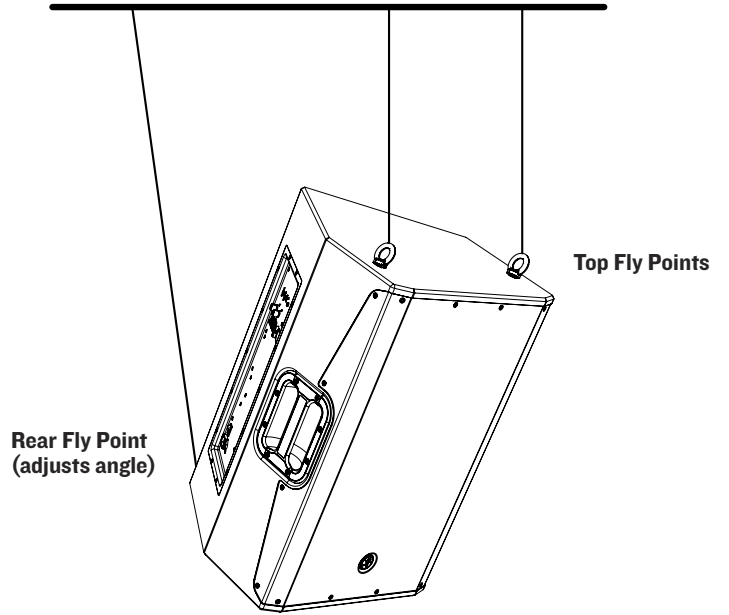
3 SRM550/650 FLY POINTS

FLOWN AT A 30° ANGLE

MP = Mounting Point



TOP



REAR



MACKIE

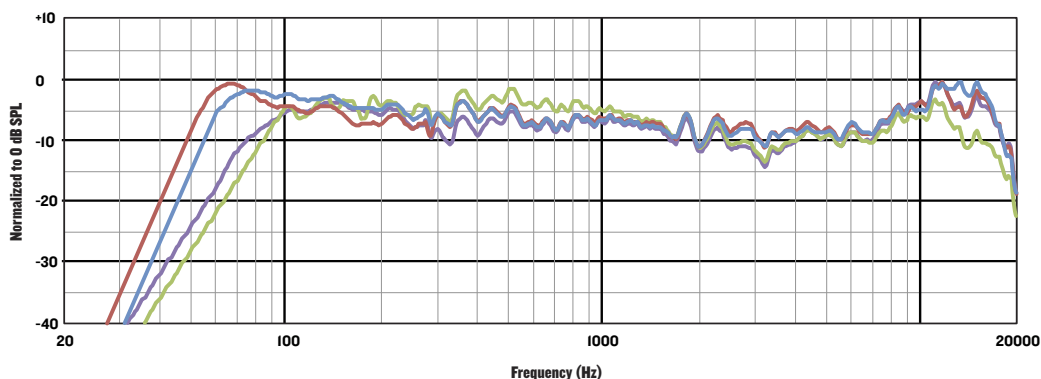
SRM550 & SRM650

1600W High-Definition Powered Loudspeakers

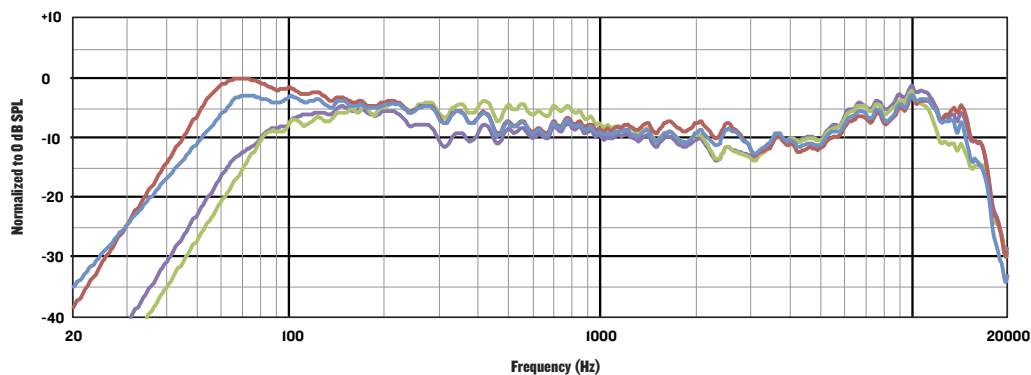
DLM LOUDSPEAKER FREQUENCY RESPONSE LEGEND

- **PA Speaker Mode** – This mode is full range, but focuses on mid-range clarity where vocals often reside.
- **Soloist Speaker Mode** – This mode features a low frequency roll-off to get rid of unwanted thumps and adds boost and sparkle to mid-range and high frequencies. This mode is perfect for plug-and-play singer-songwriters.
- **DJ Speaker Mode** – This mode bumps the lows and highs with a mild tuck to the mids, perfect for music playback.
- **Monitor Speaker Mode** – This mode features a low frequency roll-off and a reduction around 2 kHz to ensure maximum gain before feedback in monitor applications.

SRM550 LOUDSPEAKER FREQUENCY RESPONSE



SRM650 LOUDSPEAKER FREQUENCY RESPONSE



LOUD Technologies Inc. is always striving to improve our products by incorporating new and improved materials, components, and manufacturing methods. Therefore, we reserve the right to change these specifications at any time without notice.

“Mackie” and the “Running Man” figure are registered trademarks of LOUD Technologies Inc. All other brands mentioned are trademarks or registered trademarks of their respective holders, and are hereby acknowledged.

©2013 LOUD Technologies Inc. All rights reserved.

Electronic files for this product are available at:
www.mackie.com

Specification Sheet

SRM_Loudspeakers_SS.PDF

Owner's Manual

SRM_Loudspeakers_OM.PDF



www.mackie.com
16220 Wood-Red Road NE
Woodinville, WA 98072 USA
800-898-3211, Fax 425-487-4337

Part No. SW0999 Rev. A 08/13