



# SUBLine 118S

SOUND REINFORCEMENT SUBWOOFER

## APPLICATIONS

- Conference rooms
- School and corporate audio visual sound reinforcement
- Background music
- Houses of worship
- Gymnasiums and small/medium sports arenas
- Bars, pubs and nightclubs
- Live music reinforcement
- Entertainment systems

## FEATURES

- Bass-reflex design subwoofer
- 18" high excursion woofer with 3" voice coil
- 2 x Neutrik Speakon connectors
- External digital processor required
- 0,70" birch plywood scratch resistant enclosure
- M20 top mount speaker stand socket
- Two aluminum ergonomic FBT handles



## PRODUCT DESCRIPTION

The FBT SUBLINE 118S is an extremely compact bass-reflex design subwoofer with high SPL and punch. The FBT SUBLINE 118S feature 0,70" birch plywood construction covered in a scratch resistant black paint with two aluminum carrying handles; an M20 top mounted stand adapter allows satellite speakers, such as the FBT speaker series and others, to be placed above the subwoofer cab. The FBT SUBLINE 118S features a 18" high excursion magnet woofer with 3" voice coil. The FBT SUBLINE 118S is able to produce a max SPL of 136dB and handles 1200W RMS. The control panel features 2 x Neutrik Speakon NL4MD-V connectors. External digital processor required: FBT DLM26 Digital Loudspeaker Management.

## ELECTRICAL PERFORMANCE

System type:	1way reflex
Recommended amplifier:	1200W RMS
Long term power:	600W
Short term power IEC268-5:	2400W
Nominal impedance:	4 Ohm
Low frequency woofer:	1 x 18" / 3" coil
Frequency response @-6dB:	33Hz - 400Hz
Sensitivity @1W/1mt:	98,5dB
Max. SPL cont/peak:*	133 / 136dB
Dispersion:	omnidirectional
Recommended ext. DSP:	FBT DLM26
Recommended HP filter:	28Hz - 24dB oct.

## PHYSICAL

Input connectors:	2 x Neutrik Speakon
Net dimensions (WxHxD):	21,85 x 22,51 x 26,22 inch
Shipping dimensions (WxHxD):	31,49 x 29,92 x 27,55 inch
	with pallet
Net weight:	92,59 lbs
Shipping weight:	114,64 lbs
Enclosure material:	birch plywood

## ACCESSORIES

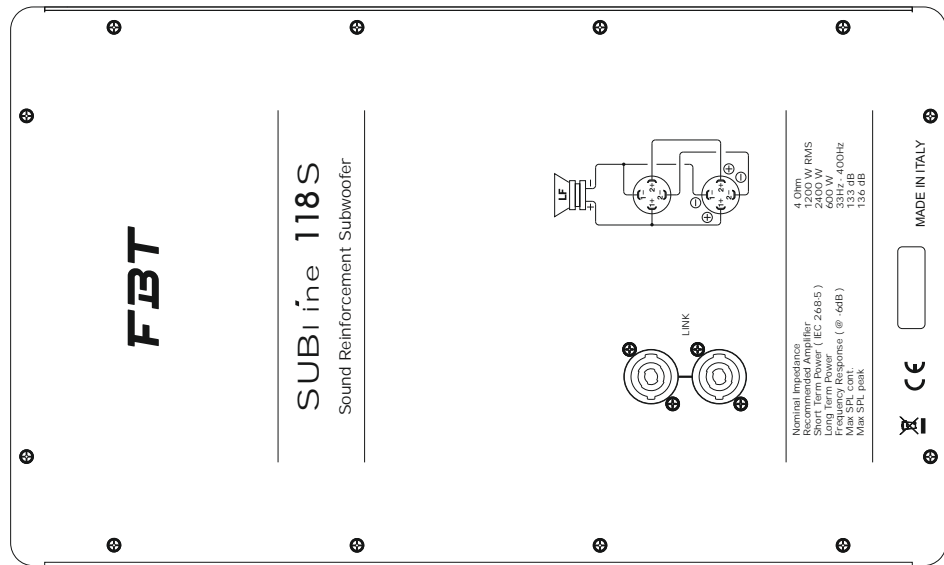
SL-C 118	Nylon cover
SL-CH 118	Nylon cover with wheels
MSA 220BK	M20 pole mount sub-satellite Ø 1,37" - 1,64" (35 - 41,7mm) H 27,55" - 47,24" (70 - 120cm) Max. load 132,27lb (60kg)
KBW-1004S	4 x wheels kit: 2 with brake Ø 3,93"

\* CONT. SPL: half space, based on continuous power amp rating and LF transducer average sensitivity data, 125ms time average  
PEAK SPL: half space, based on max peak power amp rating and system peak sensitivity, 10ms time average

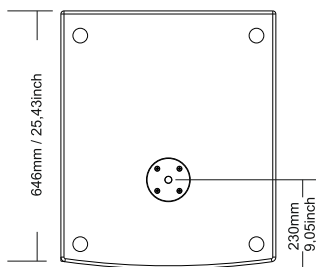
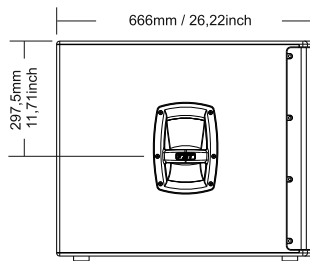
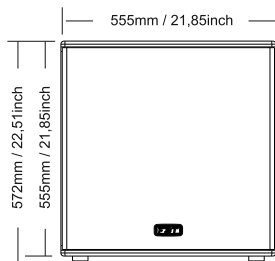


# SUBLine 118S

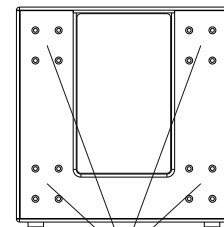
## CONTROL PANEL



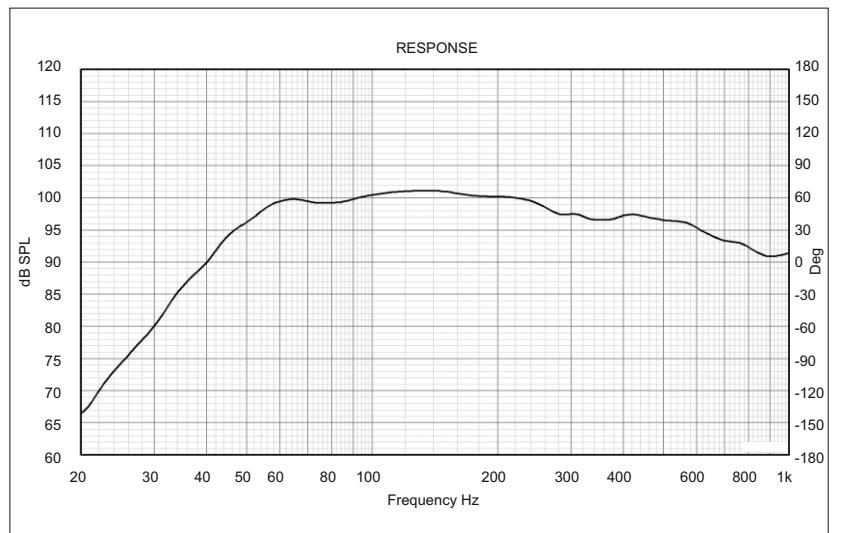
## DIMENSIONAL DRAWING



ONLY FOR GROUND STACK CONFIGURATION



RUOTE OPZIONALI  
OPTIONAL WHEELS



FBT products are continually improved. All specifications are therefore subject to change without notice.