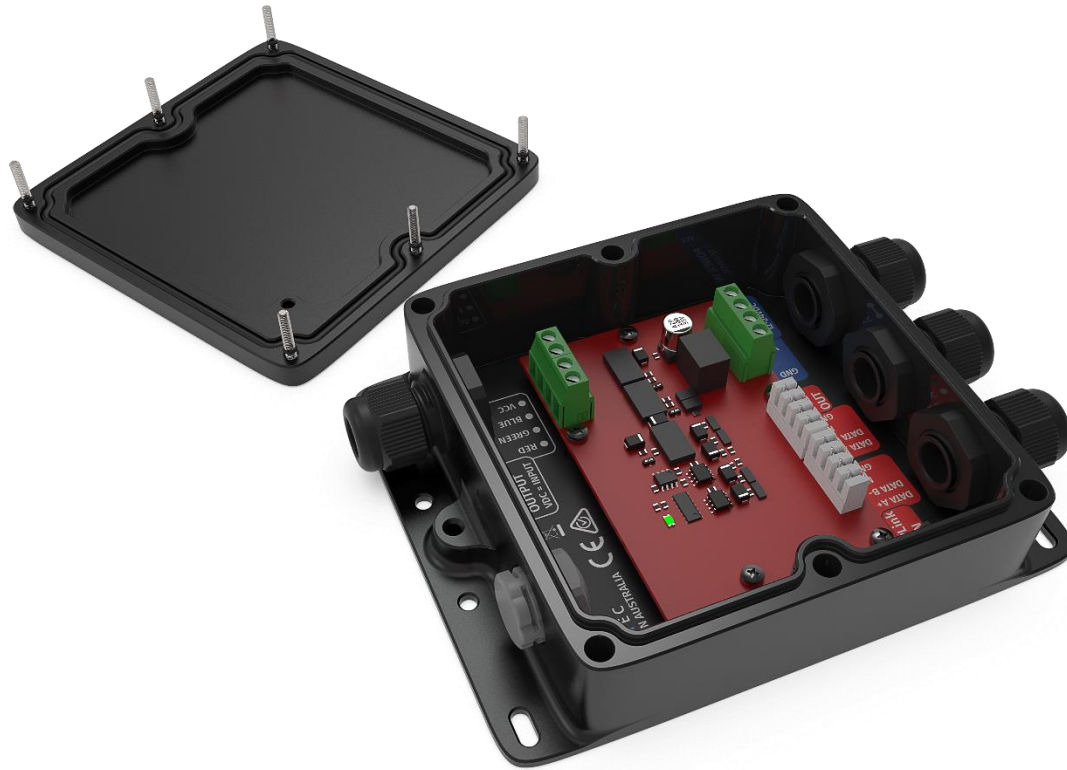


## IP66 CVC3 (CC1-36)

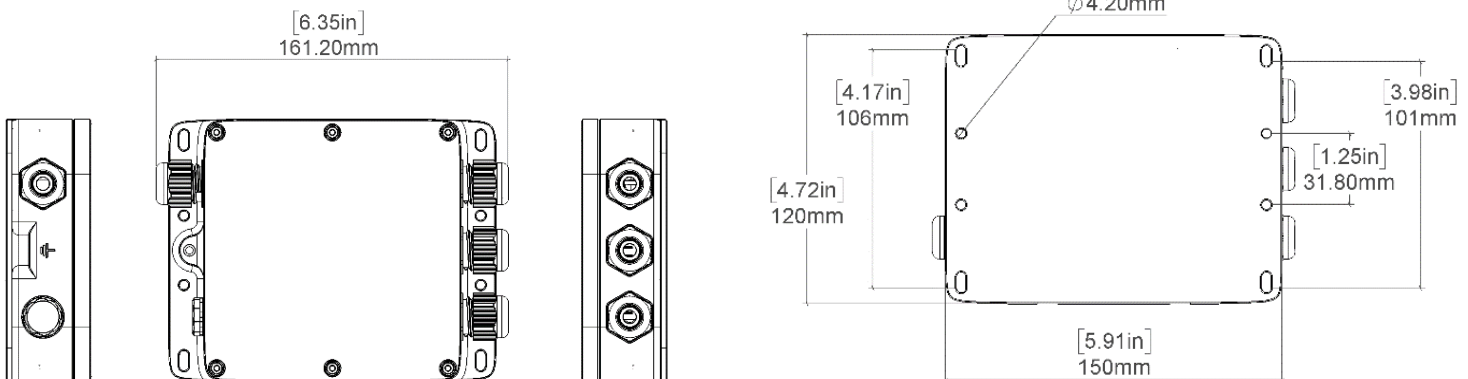
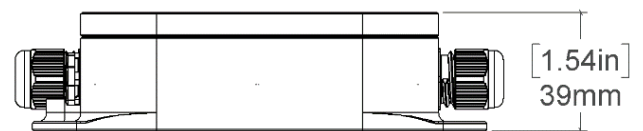
### IP66 3-CHANNEL CONSTANT VOLTAGE LED TAPE DRIVER



#### Box Contents

- IP66 CVC3 (CC1-36) PN: 73921
- This user manual

#### Physical Dimensions



## Safety

- Never plug PLINK ports in to Ethernet outlets
- Disconnect from power supply, and then make data connections
- Do not exceed the ratings of the device

## Functional Features

- CVC3 supports standard RGB Tape such as ENTTEC 9VL4
- Each CVC3 unit can control 3 dimmable channels of LED tape (either RGB or three individual single colour strips)
- Each PLINK run allows a maximum of 1024 DMX channels (2 universes) to be driven; this controls 1,020 single colour tapes
- Automatic incremental addressing when units are daisy chained together
- This device is compatible with ENTTEC Pixelator family
- Requires an external DC power supply
- Data extensions up to 300 meters over cat6
- Scalable design for large projects

## Mechanical Features

- Machined 6061 aluminium enclosure - light weight, rugged, impact resistant, long lasting, corrosion resistant, UV resistant)
- Anodise type II closure treatment and 2 step electrolytic dying - excellent outdoor resilience, corrosion resistant, colour will

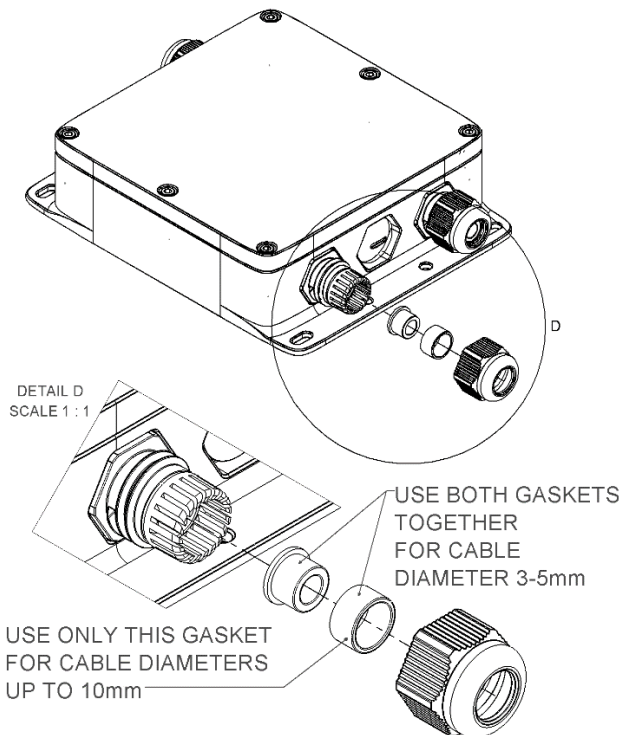
resist fading caused by UV exposure

- 304 stainless fasteners (corrosion resistant)
- Self-retaining screws (screws will not be lost when installing)
- Premium cable glands (nylon, cable diameter  $\varnothing$ 3mm-10mm for installation flexibility)
- Fixed cable glands for easy use (cable glands will not rotate when tightening)
- Breath seal (automatic pressure equalisation, manages condensation to avoid electronic failures)
- IP66 enclosure (powerful water jets, high pressure washdown resistant)
- High power screw down cage terminal blocks for secure wiring
- Krone punch down terminal for fast secure data wiring
- External earthing thread - reduces electronic failures
- Broad operating temperature (suitable for various environments)
- Multiple fixing points (flexible installation)

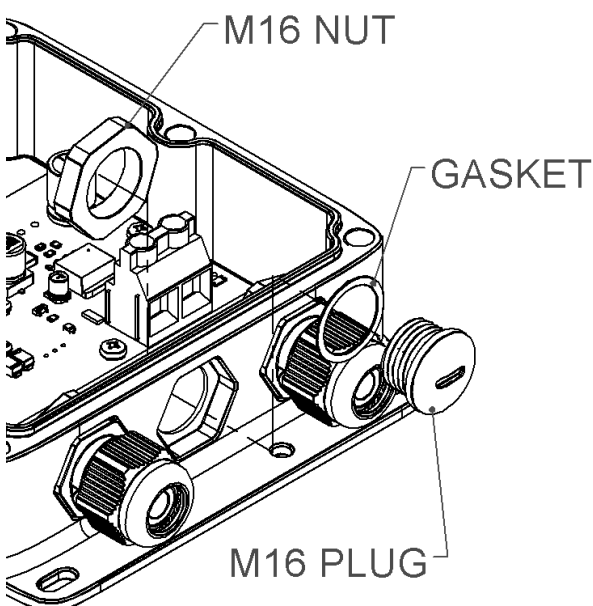
## How to install?

### Installation guide

- Cable glands suit diameters 3mm to 10mm, use round cable only. See image below explaining the adjustment.



- If not required remove cable gland, assemble blanking plug as per below image. Hold plug in place and turn the nut firmly.

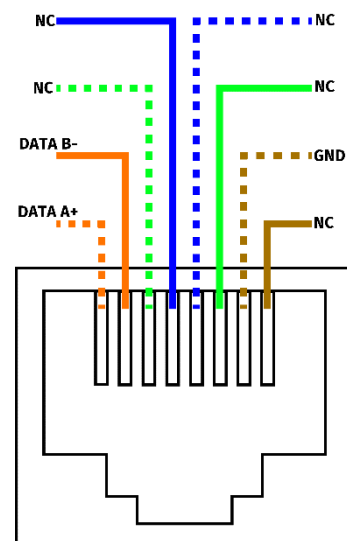


- **PLINK Data connection:** Connect PLINK Data cable (from Pixelator family) here. These are punch down terminals, it's recommended to use a krone punch down tool.

### Notes:

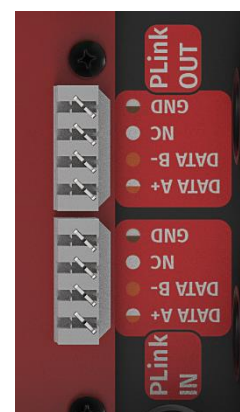
- Plink system only works with CAT5/6 straight-through cables, do not use crossover cables.

### • Plink Pinout



### CVC3 Punch down pinout

Wire Colour	DMX Signal
Orange/White	Data A+
Orange	Data B-
Brown/White	GND



- **Power Input connection:** Green terminal blocks

Wire strip length: 8mm

Before inserting wire, turn screws counter-clockwise to ensure terminal cages are open.



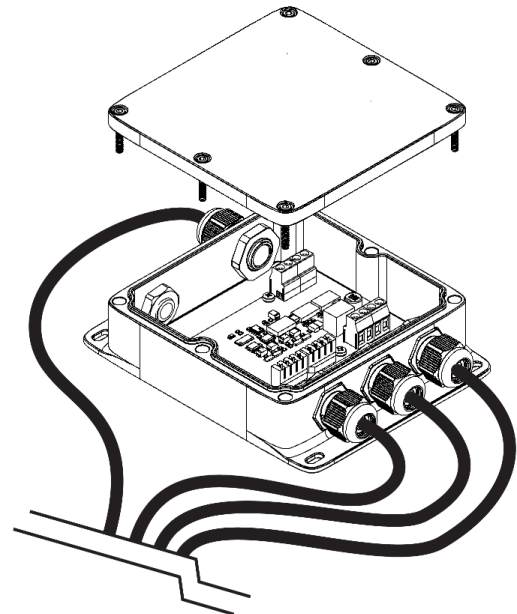
- **Output connection:** Green terminal blocks

Connect your Pixel tape or dots here. Please ensure that Input power is turned off, before making this connection.

Wire strip length: 8mm

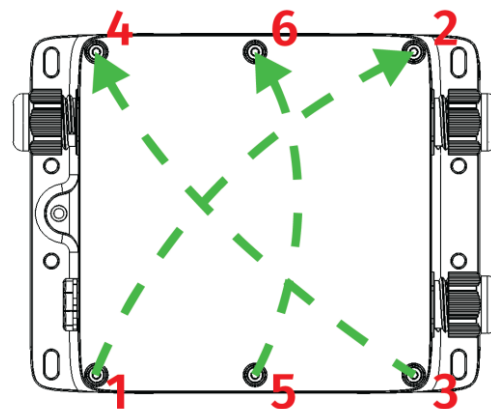


- Fastening the lid



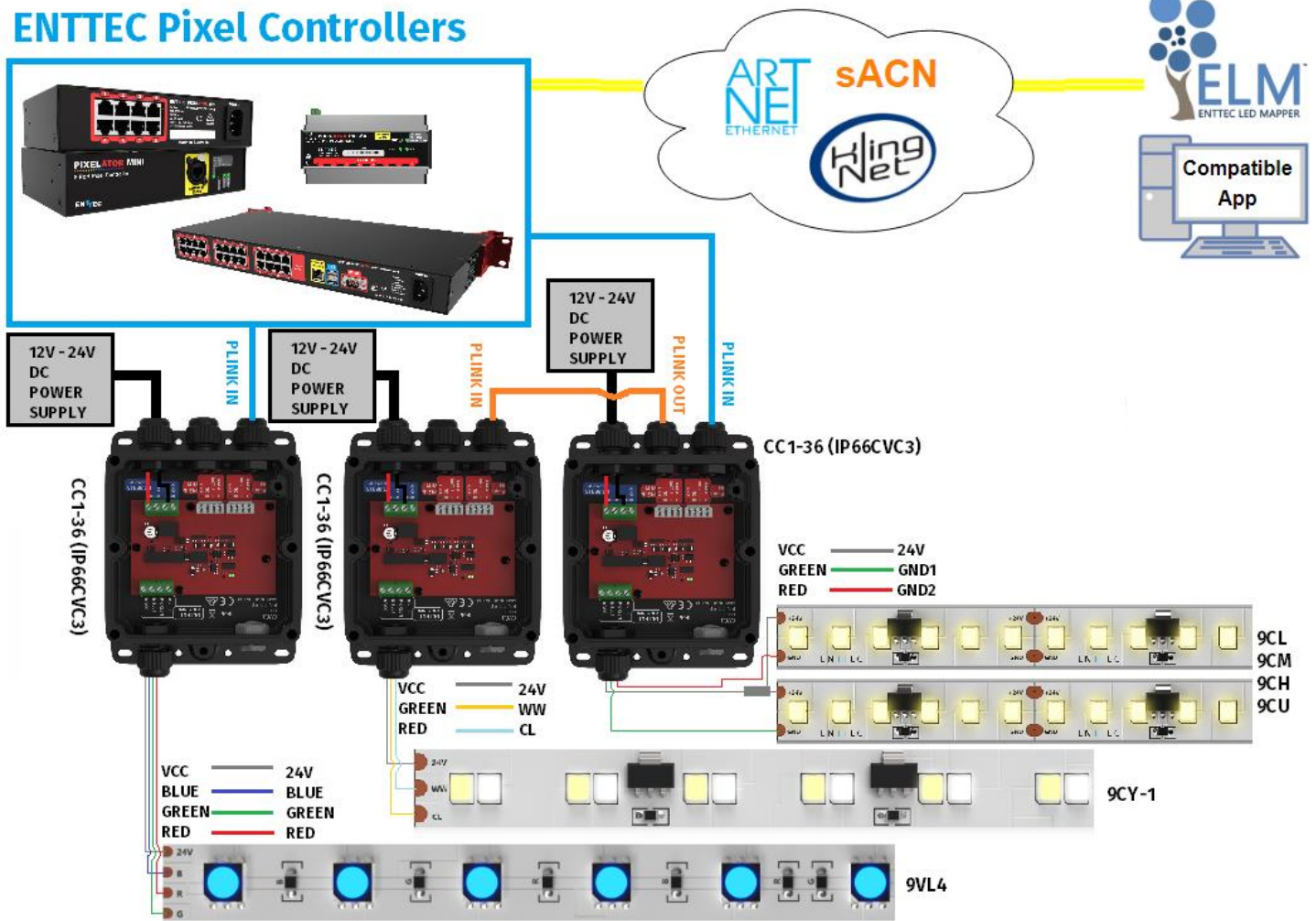
Tool: Hex key 2.5mm

Lightly tighten the screws at first, zig zag as per image below. Then zig zag again to each screw and firmly tighten each.

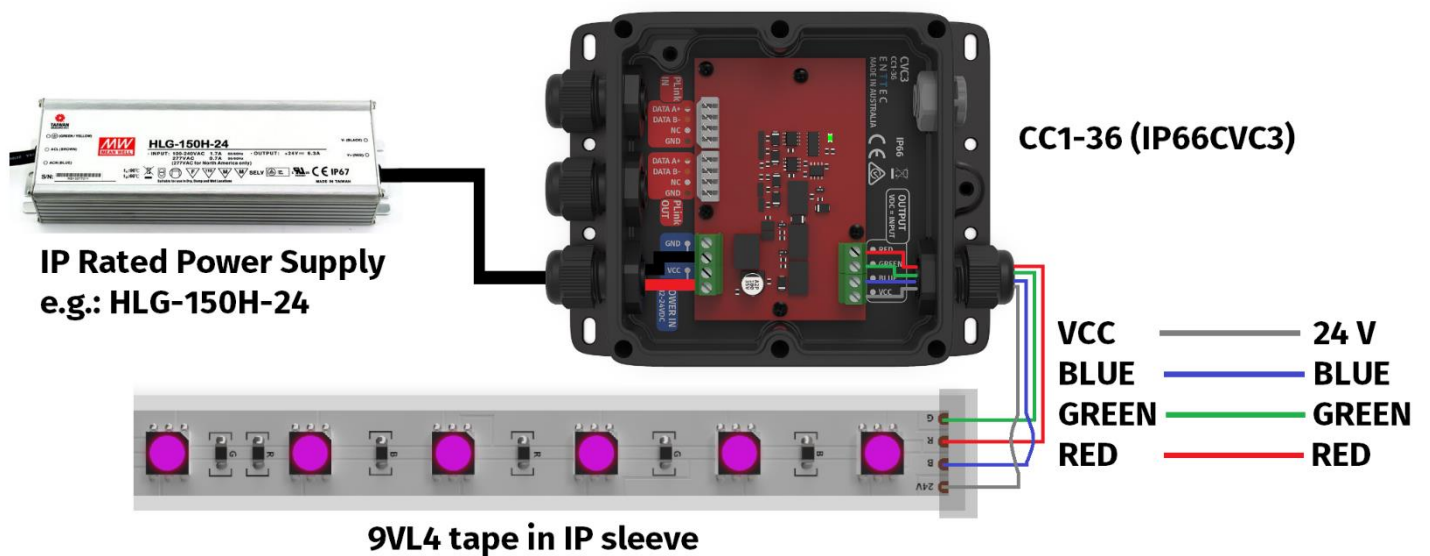


## Application Diagram

### ENTTEC Pixel Controllers



## Possible End to End Solution





## Specifications

Item	Details	
<b>Input Voltage</b>	12V to 24v DC	
<b>Maximum Total Output Power</b>	12 V	120 W
	24 V	240 W
<b>Output Current (Max) Per Pin (Screw Terminal)</b>	5 A per Channel	
<b>Data In</b>	PLINK	
<b>Data Through</b>	PLINK	
<b>Data Refresh Rate</b>	400 Hz	
<b>Ambient Operating Temperature</b>	-15 °C to 40 °C -15 °C to 60 °C (IF NOT IN DIRECT SUNLIGHT)	
<b>Storage Temperature</b>	-20 °C to 80 °C	
<b>IP Rating</b>	IP66	
<b>Cable glands</b>	3 to 10mmØ round cable only	
<b>Unit Weight</b>	625 g / 1.378 lb	
<b>Shipped weight</b>	840 g / 1.85 lb	
<b>Length</b>	161.20mm / 6.35 in	
<b>Width</b>	120mm / 4.72 in	
<b>Height</b>	39mm / 1.54 in	
<b>Internal Connectors</b>	4-way punch down (suits krone) x 2 4 pin screw terminal x 2	

Due to continuous improvements and innovations of all ENTTEC products, specifications and features are subject to change without notice

## Ordering Information

Part Number	Description
<b>73921</b>	CC1-36 CVC3 (12-24v)

# enttec.com

MELBOURNE AUS / LONDON UK / DURHAM NC, USA