

# HIGH PERFORMANCE METAL COLUMN Loudspeaker

## ➤ MUS40/TC

### TECHNICAL SPECIFICATIONS

Rated power, Watts	40
Tappings 100 volt line, Watts	40 / 20 / 10 / 5 / 2.5
Transformer Impedance, Ohms, 100V	250/500/1k/2k/4k
Tappings 70.7 volt line, Watts	20 / 10 / 5 / 2.5
Driver impedance, Ohms	8
Effective frequency range, Hz (BSEN60268-5)	100-10,000
S.P.L. @ 1m, 1 watt, dB, Test Signal Bandwidth 100Hz-10 kHz	95
S.P.L. @ Full power Octave Bandwidth, dB	112
Acoustic Power (dB-PWL@1 watt) 1 k/2kHz, dB	93 / 92
Dispersion at 1k/2kHz, Degrees	180 / 140 (horizontal) 40 / 30 (vertical)
Directivity Axial Q factor, 1 k/2kHz	5.2 / 8.5
Drive units, mm	6 x 105
Dimensions, front & depth, mm	670 x 142 x 164
Net weight, Kgs	8.20, Bracket: 0.56
Colour/Finish	White RAL9016
Material	Aluminium
Mounting	Die cast metal swivel Bracket

➤ BS5839 Part 8 voice alarm compliant

EASE, CATT, ULYSSES and Architectural specifications are supplied on the disc inserted at the back of this folder  
Manufacturer reserves the right to alter specifications without notice – March 2007

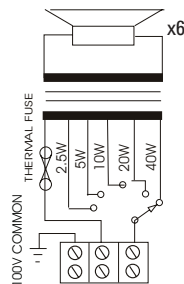
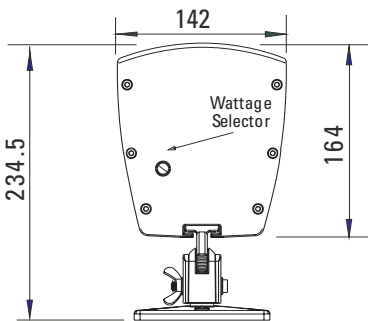
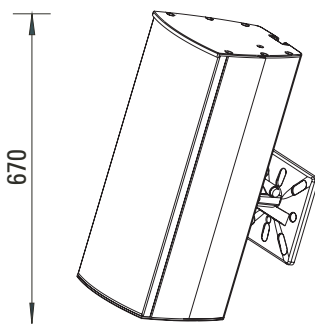
# MUS40T/C

HIGH PERFORMANCE METAL COLUMN LOUDSPEAKER

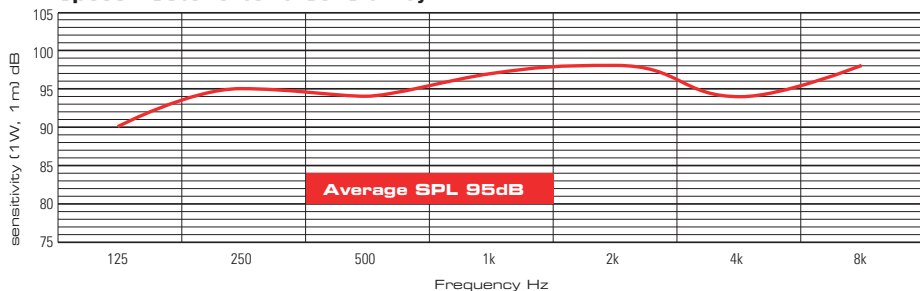
isogonal view  
unit: mm

bottom view  
unit: mm

circuit diagram  
**MUS40T/C**



### speech octave band sensitivity



Effective Frequency Range ● **MUS40T/C** 100Hz - 10,000Hz



**Penton UK Ltd**

Unit 2 Teville Industrials | Dominion Way | Worthing | West Sussex | BN14 8NW

T: +44 (0)1903 215315 | F: +44(0)1903 215415 | E: SALES@PENTONUK.CO.UK

[www.penton.org](http://www.penton.org)