

Professional Series

Key Features:

- ▶ Premium passive loudspeaker system
- ▶ Very high power handling
- ▶ Two 380 mm (15 in) Vented Gap Cooled™ low-frequency drivers, in slot-loaded LF configuration
- ▶ CMCD™ Cone Midrange Compression Driver™ provides low midrange distortion, increased sensitivity, extended bandwidth and improved phase coherence.
- ▶ 60° x 40° coverage.
- ▶ Bi-amplified or full-range passive operation.
- ▶ Twelve M10 suspension points

Applications

- ▶ Reinforcement of vocal and instrumental music requiring low frequency extension
- ▶ Dance music playback

The STX835 combines the performance of a subwoofer-equipped system with single-enclosure ease of use. The dual slot-loaded 2226H 360 mm (15 in) patented Vented Gap Cooled™ woofers deliver impressive low-frequency extension without a sub. The mid-range is covered by JBL's patented CMCD™ Cone Midrange Compression Driver™ technology using a 2169H 203 mm (8 in) driver. The CMCD design provides very low midrange distortion, increased sensitivity, extended bandwidth and improved phase coherence. The multi-band, Progressive Transition waveguide assembly also hosts a 75 mm (3 in) voice coil 2432H compression driver.

For applications requiring suspension, the enclosure is fitted with twelve M10 suspension points.

The enclosure is constructed of top quality birch/poplar laminate plywood and coated in JBL's rugged DuraFlex™ finish. The attractive CNC-machined, 14-gauge steel grille wraps around the sides of the enclosure so there are no protruding lips on the front of the box to create acoustical interference. The grilles are internally lined with acoustically transparent foam to provide additional driver protection and give a very professional appearance.



Specifications:

System Type:	Dual 15", three-way, slot-loaded LF
Frequency Range (-10 dB):	32 Hz - 20 kHz
Frequency Response (±3 dB):	43 Hz - 20 kHz
Coverage Pattern:	60° x 40° nominal
Crossover Modes:	Bi-amp / passive, externally switchable
Crossover Frequencies:	2 kHz / 250 Hz
Power Rating (Continuous!/ Program/Peak):	Passive: 1600 W / 3200W / 6400 W Bi-amp LF: 1600 W / 3200W / 6400 W Bi-amp MF/HF: 350W / 700W / 1400W
Maximum SPL:	134 dB SPL peak
System Sensitivity (1w @ 1m):	96 dB SPL (passive mode)
Mid / High Sensitivity (1w @ 1m):	108 dB SPL (bi-amp mode)
LF Driver:	2 x JBL 2226H 380 mm (15 in) Vented Gap Cooled™ woofer
MF Driver:	1 x JBL CMCD-82H Cone Midrange Compression Driver with integral 2169H 200 mm (8 in) Differential Drive® driver
HF Driver:	1 x JBL 2432H 75 mm (3 in) voice coil, neodymium compression driver
Nominal Impedance:	Passive: 4 ohms Bi-amp LF: 4 ohms Bi-amp HF: 8 ohms
Active Tunings:	Designed for Crown amplifiers and dbx DriveRack. Settings available at www.jblpro.com
Enclosure:	Trapezoidal, 18 mm, 13-ply birch/poplar laminate plywood
Suspension / Mounting:	12 x suspension points, M10.
Transport:	2 side handles
Finish:	Black DuraFlex™ finish
Grille:	Powder coated, black, 14-gauge perforated steel with transparent charcoal foam backing.
Input Connectors:	Neutrik® Speakon® NL-4 (x2)
Dimensions (H x W x D):	1066 x 568 x 573 mm (42.0 x 22.4 x 22.6 in)
Net Weight:	57.1 kg (126 lbs.)
Optional Accessories:	229-00009-01: 3x 10 mm forged eyebolts kit For covers, go to www.jbl.com

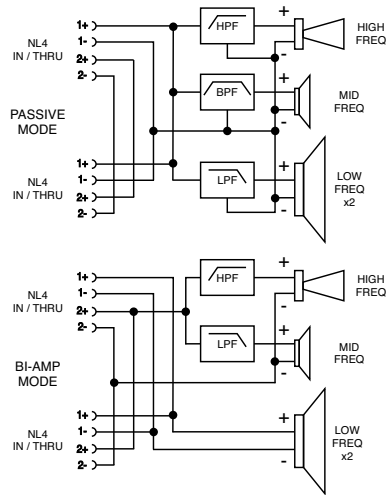
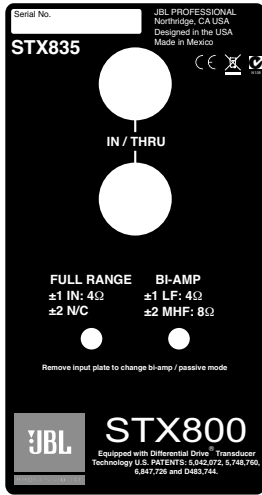
!IEC filtered noise with 6 dB crest factor, 2 hours duration

!Calculated based on power rating and sensitivity

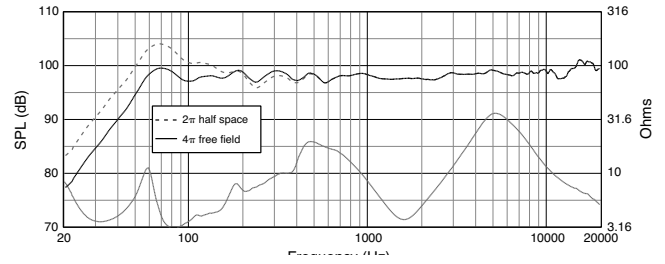
JBL continually engages in research related to product improvement. Some materials, production methods and design refinements are introduced into existing products without notice as a routine expression of that philosophy. For this reason, any current JBL product may differ in some respect from its published description, but will always equal or exceed the original design specifications unless otherwise stated.

STX835 Dual 15" Slot-Loaded Three-Way Speaker

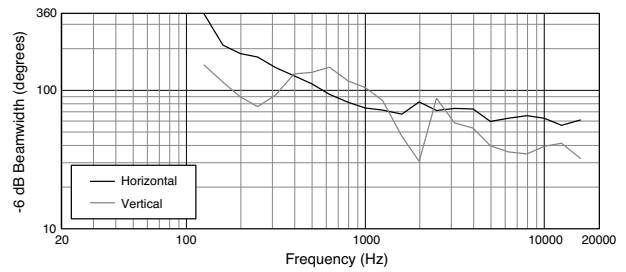
Block Diagram



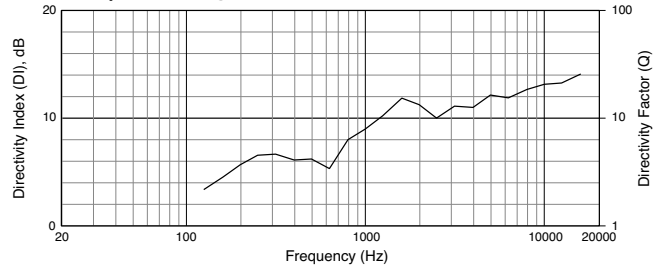
Frequency Response and Impedance



Beamwidth

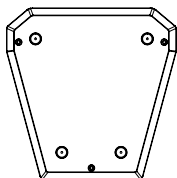
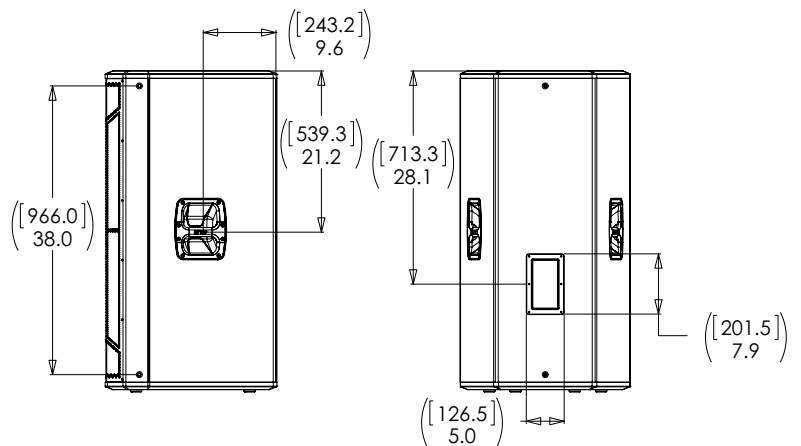
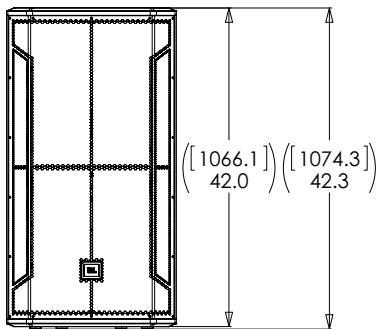
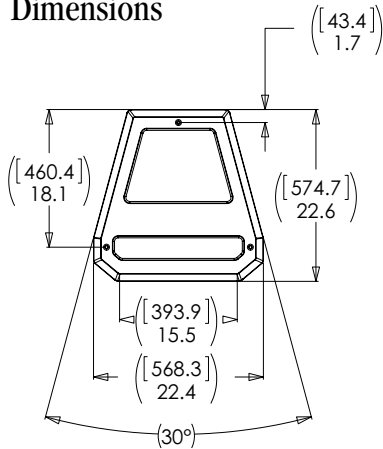


Directivity Index, Q



Measurements obtained in full passive crossover mode with no signal processing. Graphs are from unaltered measured data.

Dimensions



JBL Professional
8500 Balboa Boulevard, P.O. Box 2200
Northridge, California 91329 U.S.A.

© Copyright 2013 JBL Professional
www.jblpro.com

SS STX835
CRP
01/13 A