

Technical Manual



JBL PRX715XLF/230

SPECIFICATIONS

ACOUSTIC & ELECTRICAL SPECIFICATIONS:

- Frequency Response (± 3 dB): 44 Hz – 91 Hz
- Frequency Range (-10 dB): 37 Hz – 113 Hz
- Maximum SPL Output: 131 dB Peak
- Input Impedance: 20K Ohms (balanced)
- Crossover Frequency:
 - Internal: 90 Hz DSP Contolled 48 dB/Octave
 - Loop Out: 120 Hz Analog 24 dB/Octave

AURAL SWEEP TEST SPECIFICATIONS:

- A. System.Aural Sweep Test: 0.15V Input, 50 Hz lto 20 kHz Knob Fully CW.Line In and Main
- B. L.F.Aural Sweep Test: 15.0V Input, 10 Hz to 100 Hz

PHYSICAL SPECIFICATIONS:

- Enclosure Dimensions: 547.1 mm x 445.0 mm x 580.0 mm (HxWxD) (21.54 in x 17.52 in x 22.48 in D)
- Net Weight: 56 lb (25.4 kg)

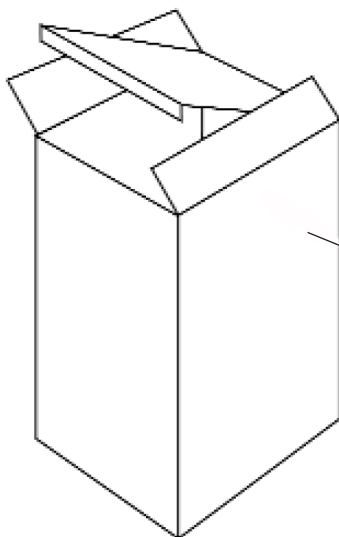
SYSTEM COMPONENTS:

- Cabinet: Enclosure (Not For Sale)
- Grille: 5030588
- Low Frequency Driver: 2275H, 15 inch (380mm) woofer
- D.C.Resistance: 5.1 ohm +/- 10%

WARRANTY INFORMATION:

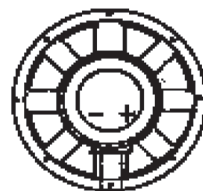
- Refer to Warranty Statement packed with each product.

PACKAGE

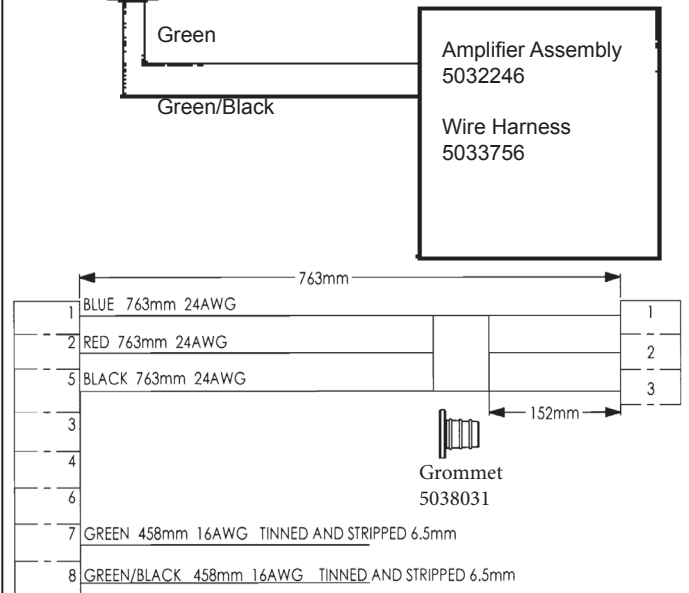


- Warranty Card 59660
- User's Guide 5032132
- Carton 5032256
- Filler (2) 5032258
- PKG, Microfoam (8) 49790P
- Cord, AC, Line 425-00000-00 (120V) 425-00000-01 (230V)

WIRING DIAGRAM



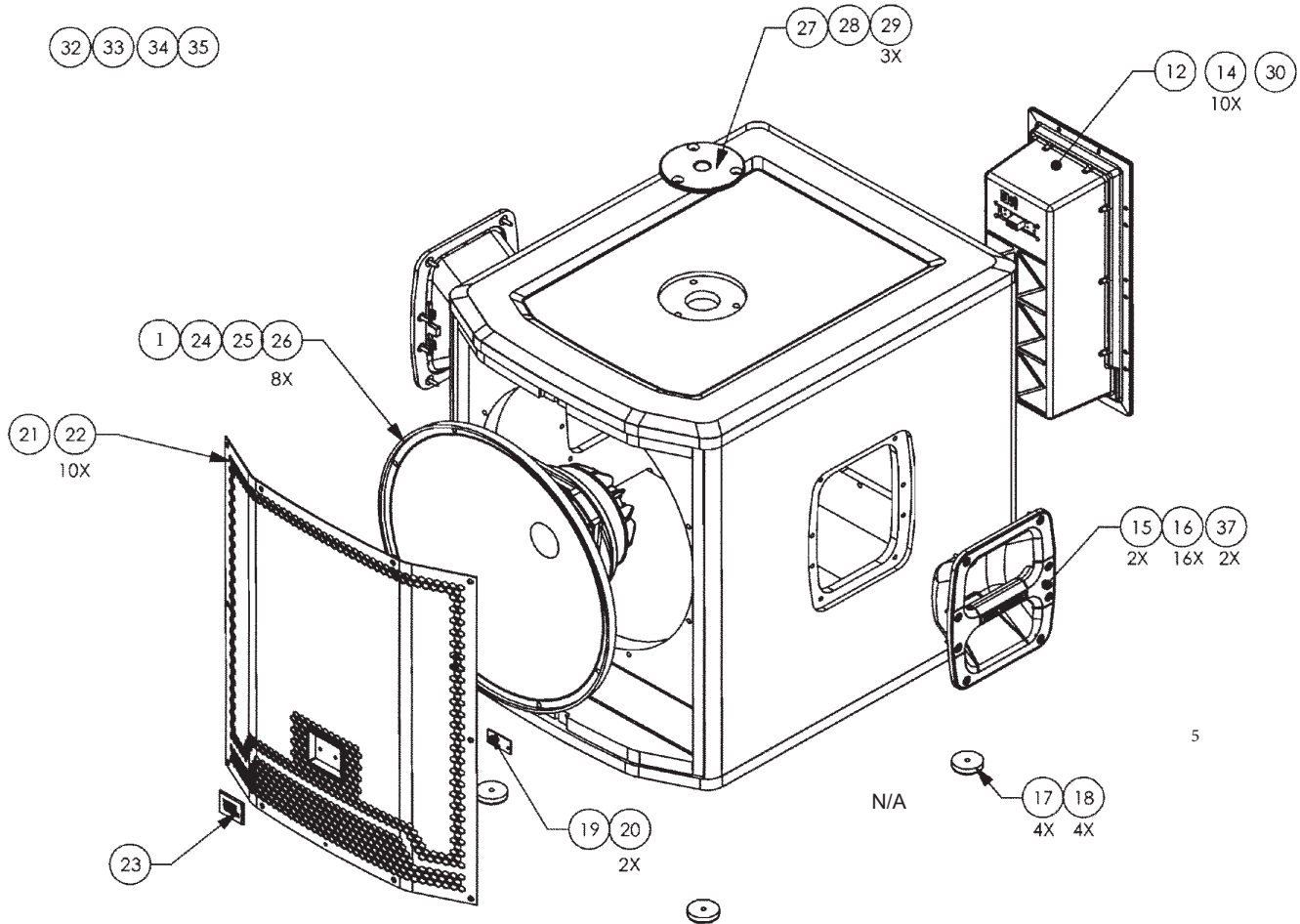
2275H Driver, Low Freq (5029733X) C8R2275



JBL PRX715XLF/230 REV C

JBL PRX715XLF/230

COMPONENT EXPLODED VIEW



COMPONENT PARTS LIST:

Item	Part No.	Qty	Description	Ref. Des.
1	5029733X	1	M/I 2275H	n/a
12	5032246	1	AMP ASSY, PRX715XLF	n/a
14	804-11110-12	10	SCR, 10-32 X 3/4",FLT,PH,BLK ZINC,LCS	n/a
15	5032124	2	HANDLE ASSY, PRX700	n/a
16	446376-001	16	SCREW, #8-32, HANDLE	n/a
17	353445-001	4	FOOT	n/a
18	884-41110-12	4	SCR,10 X 3/4,PAN,PH,PB,BLK ZINC,LCS	n/a
19	5030688	1	LED PCB	n/a
20	882-41110-12	2	SCR,6X3/4",PAN,PH,PB,BLK	n/a
21	5030588	1	GRILLE, PRX715XLF	n/a
22	882-51110-12	10	SCR, 6 X 3/4,OV,PH,PTCL,BLK ZC,LCS	n/a
23	5014533	1	STX Logo Small Plastic	n/a
25	360-70002-01	1	GASKET, REAR 15"	n/a
26	804-01110-16	8	SCR,10-32 X 1,FIL,PH,BLK	n/a
27	364808-001	1	GASKET, POLE CUP	n/a
28	5003856	1	Pole mount, M20 3 hole pattern	n/a
29	806-11010-20	3	SCR,1/4-20 X 1 1/4,FLT,PH,UNC,BLK ZNC,L	n/a
30	5033756	1	HARNESS ASSY, PRX715XLF	n/a

Item	Part No.	Qty	Description	Ref. Des.
37	445327-001	2	GASKET, HANDLE	n/a

JBL PRX715XLF/230

JBL PRX712/230

COMPONENT EXPLODED VIEW