

S-PLAY – Datasheet



ENTTEC's S-PLAY is a highly accurate, 32 universes show controller and lighting record / playback device.

Capture or create static scenes or record dynamic cues from up to 32 universes of Art-Net, sACN or 2 universes of DMX. The built-in pixel effects generator provides an intuitive tool to create the desired look to be output to your pixel controller.

Using either RS232, Art-Net, DMX, Digital Inputs, Relays, sACN, UDP or OSC; send commands to external devices or receive triggers the device allows external devices to fully integrate the S-PLAY into the installation.

Using the intuitive drag and drop timelines system, build playlists using cues, events and triggers as building blocks. Control the number of play counts, priority, fade times and master intensities to fine tune your playlists.

Build schedules of playlists to play at certain times of the day or use custom interfaces or external triggers to allow multiple playlists to run over the top of each other at the same time with different groups and priorities.

Features

- In-built controls to record and play cues.
- Internal memory supporting over 10 hours of 32 universe recording at 44FPS (plug in an external Micro SD card to increase this recording size).
- Create pixel effects using the effect generator
- Up to 32 Universes of Art-Net and sACN recording & playback.
- Monitor the DMX values when recording cues.
- Variable Art-Net/sACN refresh rate (60FPS max.).
- Four digital inputs to trigger device from external sources.
- Two universe Physical DMX input or output.
- Two relay outputs to control external devices.
- Create playlists from dynamic, static and internal effect cues.
- Send options: RS232, Art-Net, DMX, Digital Inputs, Relays, UDP & OSC.
- Remote trigger options: RS232, Art-Net, DMX, Digital Inputs, sACN, UDP & OSC.
- Create customer facing web interfaces.
- Schedule playlists

Specification

Connectors	1X DC Jack (Power)	
	2X Female XLR5 (DMX512)	
	1X RJ45 (Ethernet)	
	1X Male DB9 (RS232)	
	1X USB Type-A (Host)	
	4X Dry Inputs	
	2X Relay Outputs (max limits, 50V DC or 60W)	
	1X Micro SD	
IP rating	IP20	
Number of Universes & Input / Output Protocol	2U: USITT DMX512-A	
	32U: Art-Net	32U: sACN
DMX Refresh Rate (FPS)	Art-Net & sACN	1 to 60
	USITT DMX512-A	1 to 44
Input Voltage	12V DC to 24V DC	
PoE	IEEE 802.3af	
Max. Power Draw	8W	
Internal Show Storage Capacity	8GB (~10 hours of 32 universes at 44fps)	
Expandable storage	Yes, using Micro SD	
Cooling Method	Convection	
Environmental operating temperature	0°C to 50°C	
	32°F to 122°F	
Environmental operating humidity	0 to 95% (non-condensing)	
Body material	Power coated aluminium	
Unit dimensions	200*120*42 mm	
Unit weight	0.85kg / 1.87lbs	
Shipping dimensions	390*210*110 mm	
Shipping weight	1.20kg / 2.65lbs	
Warranty	3-year return to base manufacturer warranty	

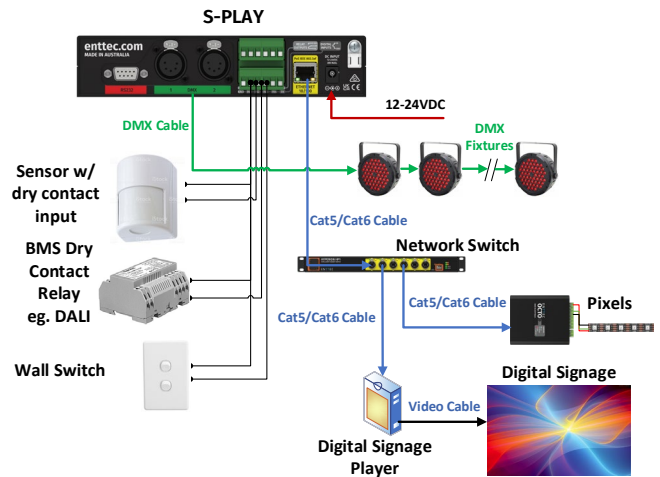
Certification



Box contents

- S-PLAY
- Rack, Surface/Din mount ears + Din Clips + screws
- 2m cat5 cable
- 12V PSU & international plugs

Application diagram



Safety

- Do not expose this device to rain or moisture, doing so will void the warranty.
- Make all the connections before you connect power.
- Do not remove the cover, there are no user serviceable components inside.
- Never plug this unit in to a dimmer pack.
- Ensure proper earth connections.
- Mount this unit in an area that will allow air flow - allow 150mm (6").
- Never connect 0V to electrical Earth.

Ordering information

For further support and to browse ENTTEC's range of products visit the ENTTEC website.

Item	SKU
S-PLAY (RevB) ¹	70092

enttec.com

MELBOURNE AUS / LONDON UK / RALEIGH-DURHAM USA

Due to constant innovation, information within this document is subject to change.

¹ Last RevA 70092 SN: 0050C208382F