



VENTIS 115 m

Passive Reinforcement Monitor

APPLICATIONS

- Live sound reinforcement floor monitor
- Touring systems
- Clubs, Auditoriums, theatres
- House of worship
- DJ booth monitor
- Medium band P.A.
- Sidefill monitor for small-to medium-scale applications

KEY FEATURES

- 2-way passive reinforcement monitor
- 15" coaxial custom woofer
- 1" exit throat B&C
- 500W / 8 Ohm
- 90° conical dispersion
- Built-in passive crossover
- Speakon NL-4 connectors
- Wall bracket mount thread (optional)
- 1,38" top-hat
- Two integrated handles



PRODUCT DESCRIPTION

The FBT VENTIS 115M is a compact, high output dedicated floor monitor for use on small to medium-sized stages where high quality vocal and instrument applications are required. The FBT VENTIS 115M passive speaker features 0,59" birch plywood scratch resistant enclosure and internal bracing. The FBT VENTIS 115M is a two way design incorporating a 15" coaxial custom woofer with 2,5" voice coil and 1" exit throat B&C with 1,7" voice coil. With a frequency range of 55Hz-18kHz provides hi fidelity sound for both speech and music applications with a maximum SPL of 130dB. The FBT VENTIS 115M features a built-in passive crossover with soft-trip protection for the LF woofer and HF driver. The rear panel provides two NL4 Neutrik speakon connectors. The optional mounting bracket allow the FBT VENTIS 115M speaker to be surface mounted on wall or ceilings. Thanks to the integrated steel pole mount, the FBT VENTIS 115M can be turned into a standard speaker in vertical configuration with a few simple moves.

ELECTRICAL SPECIFICATIONS

System Type	2 Way
Recommended amplifier	500W RMS
Long term power *	250W
Short term power (IEC 268-5)**	1000W
Nominal impedance	8 Ohm
Frequency Response	55Hz - 18kHz (@-6dB)
Sensitivity	99dB (@1W, 1mt)
Maximum SPL cont/peak	126dB / 130dB
Dispersion	90° conical
Crossover frequency	1,4kHz
Recommended HP filter	45Hz - 24dB oct.
Recommended ext. DSP	FBT DLM26

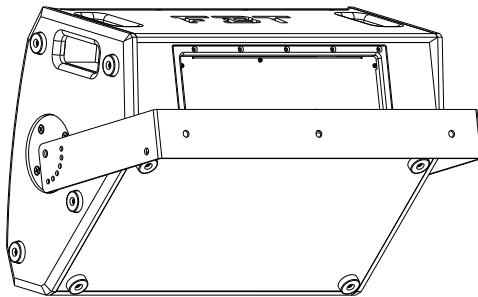
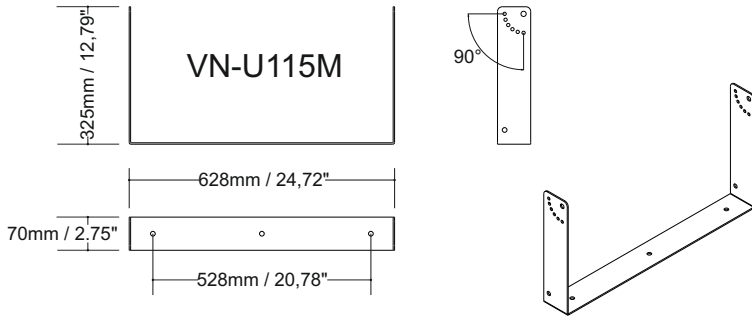
PHYSICAL SPECIFICATIONS

Low Frequency Woofer	15" / 2,5" coil
High Frequency Driver	1" / 1,7" coil
Input Connectors	2 x Speakon
Net Dimensions (WxHxD) inch	24,40 x 13,46 x 20,33
mm	620 x 342 x 516,5
Transport dimensions(WxHxD) inch	26,96 x 15,90 x 20,94
mm	685 x 404 x 532
Net Weight	44,75lb / 20,3kg
Transport weight	49,16lb / 22,3kg
Enclosure Material	0.59" birch plywood

* 100 hour power test, IEC-268-5 standard (display the long term RMS voltage handling, using IEC filtered 6dB crest factor pink noise).

** Based on peak level of 6dB crest factor random noise signal used for test.

ACCESSORIES



Caution.

This FBT loudspeaker should be suspended overhead only in accordance with the procedures and limitations specified in the user's manual. This system should be suspended in compliance with local and state overhead suspension ordinances. The VENTIS speakers use only with FBT mount for wall installation.

VN-C115M Nylon cover

CONTROL PANEL

VENTIS 115 m

FBT

CAUTION:
IT IS IMPORTANT TO USE AN AMPLIFIER THAT DOES NOT EXCEED 500W RMS @8 OHMS.

TECHNICAL SPECIFICATIONS

Nominal Impedance:	8 Ohm
Recommended Amplifier	500 W RMS
Short Term Power:	1000 W
Long Term Power:	250 W
Frequency Response (@-6dB):	55 Hz - 18 kHz
Sensitivity @1W,1m:	99 dB
Max SPL cont. / peak:	126 / 130 dB
Dispersion:	90°

CE

FBT elettronica spa - RECANATI (MC)

MADE IN ITALY

DIMENSIONAL DRAWINGS

