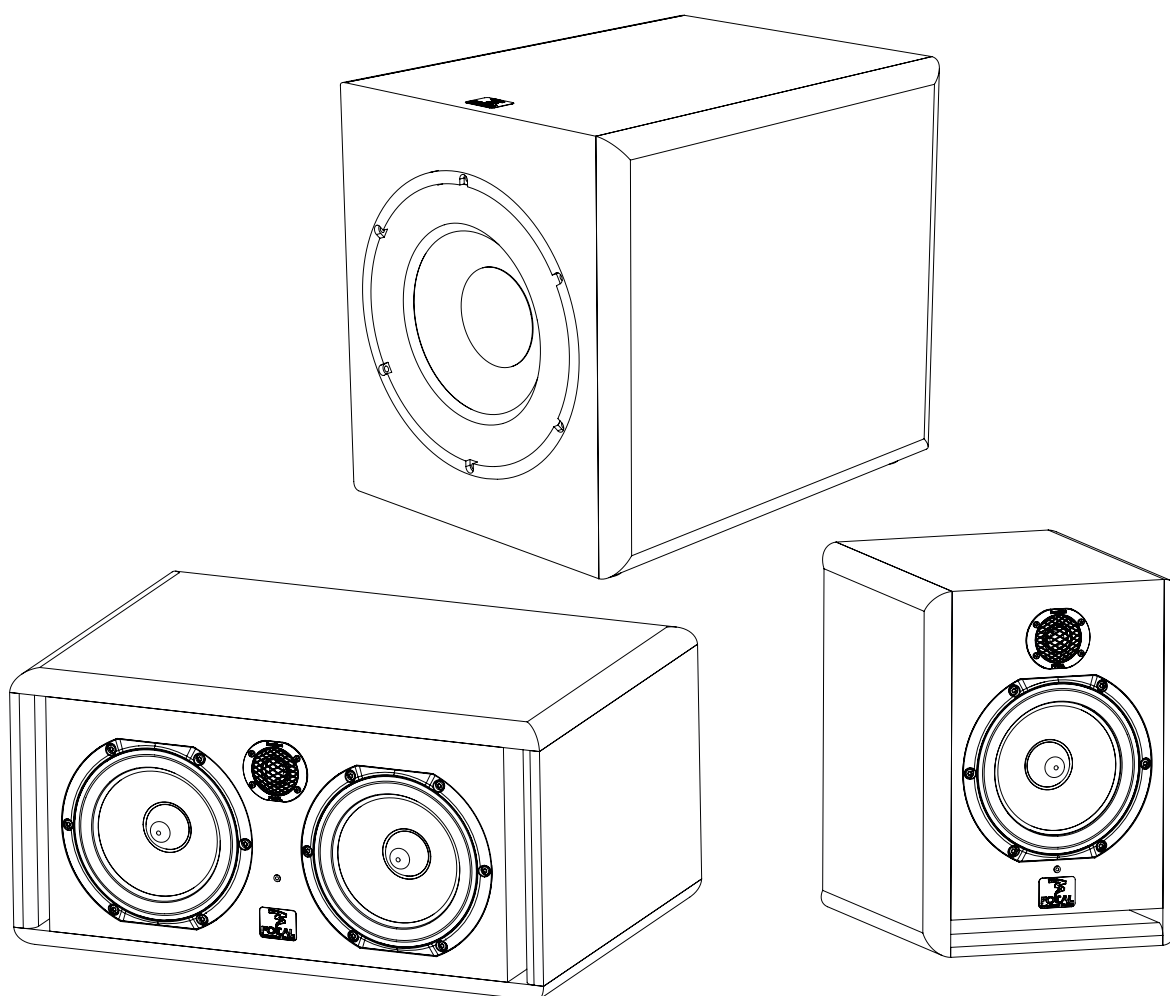


SOLO6 BE - TWIN6 BE - SUB6

Manuel d'utilisation / User Manual / Gebrauchsanleitung /
Manuale d'uso / Manual de uso / Manual de utilização /
Handleiding / Instrukcja obsługi / Руководство по
эксплуатации / 使用手册 / 사용 설명서 /
取扱説明書 / دليل المستخدم

EN

FR



READ FIRST ! IMPORTANT SAFETY INSTRUCTIONS !

	<p style="text-align: center;">CAUTION RISK OF ELECTRIC SHOCK DO NOT OPEN</p>	
<p>The bolt of lightning in an equilateral triangle warns the user that the device has high voltage that could result in a risk of electric shock.</p>	<p>Warning: To prevent any risk of electric shock, do not remove the cover (or the back) from the device. There are no user-serviceable parts in this device. For maintenance or repairs, contact a qualified professional.</p>	<p>The exclamation mark in an equilateral triangle warns the user that the manual contains important instructions on how to use and look after the device.</p>
<ol style="list-style-type: none"> 1. Read these instructions. 2. Keep these instructions. 3. Heed all the warnings. 4. Follow all the instructions. 5. Risk of electric shock. Do not open. Do not submerge your product in water or expose them to humidity. 6. Only clean with a dry cloth. 7. Do not obstruct ventilation openings. Follow the manufacturer's instructions for installing the device. Leave a distance of at least 5 cm around the product for proper ventilation. 8. Do not install the device close to a heat source such as a radiator, cooker, heat vents or any other appliance (including amplifiers) that gives out heat. 9. Follow the safety instructions for the power supply cord. This product is a device belonging to Class 1. Only plug in the device using the mains plug provided, which incorporates an earth connection. The device must be plugged into an earthed mains socket. 10. Make sure the power cable can't be trodden on, crushed or pinched. Take particular care with the plug and the cable connection to the device. 11. Only use accessories recommended by the manufacturer. 12. Only use handling equipment, stands, tripods, mounts or tables recommended by the manufacturer or sold with the device. If using a trolley, take extra care when moving the trolley and device together, to prevent the device from falling off and causing injury. 13. Unplug the device during storms or long periods when it is not in use. 	<ol style="list-style-type: none"> 14. All maintenance tasks should be performed by a qualified professional. Maintenance is required in case of any kind of damage to the device (damaged cable or plug, spillages or objects inserted into the device, exposure to rain or humidity, if the device malfunctions or overturns, etc.). 15. The product should only be connected to the mains power type shown on the label on the device. If you're not sure what type of mains electrical supply you have, ask your retailer or your electricity supplier. For devices intended for use with a battery or another power source, see the user manual. 16. Do not use this device in tropical climates. 17. Do not use this device at altitudes of more than 2,000 m. 18. Do not overload wall sockets, extension leads or multiple socket outlets as this could cause fire or electric shock. 19. Do not insert any objects into the device's ventilation openings. They could come into contact with one of the high-voltage components or short-circuit them and cause a fire or electric shock. Do not spill liquid on the device. 20. Do not attempt to repair this device yourself. Opening it may expose you to hazardous voltages or to other risks. Contact a qualified professional for all maintenance work. 	<ol style="list-style-type: none"> 21. When replacement components are needed, make sure that the maintenance technician uses the components recommended by the manufacturer or components with the same technical features as the original product. Using non-compliant components could cause fires, electric shocks or other risks. 22. After any maintenance or repair work on the device, ask the maintenance technician to test it to check that it works safely. 23. The appliance should only be mounted on a wall or ceiling if the manufacturer allows for this. 24. The On/Off switch on the back of the device cuts off the mains power supply to the device. The user should be able to access it at all times. 25. To avoid damaging your hearing, do not listen to loudspeakers at high volumes for long periods of time. Listening to speakers at high volumes can cause damage to the user's ears and may lead to hearing problems (temporary or permanent deafness, buzzing in the ears, tinnitus, hyperacusis). Exposure to excessive volumes (over 85 dB) for more than one hour can cause irreparable damage to your hearing.  <p style="text-align: center;">(CEI 60417-6044)</p>

An example of this equipment has been tested and found to comply with the following European directives and international standards:

Electromagnetic compatibility

EN 55103
EN 61000

USA:

Federal Communication Commission Interference Statement

This device complies with Part 15 of the FCC Rules. Operation is subject to the following two conditions: (1) This device may not cause harmful interference, and (2) this device must accept any interference received, including interference that may cause undesired operation.

This equipment has been tested and found to comply with the limits for a Class B digital device, pursuant to Part 15 of the FCC Rules. These limits are designed to provide reasonable protection against harmful interference in a residential installation. However, there is no guarantee that interference will not occur in a particular installation.

Electrical safety

EN 60065

Canada:

Industry Canada Statement:

This device complies with ISSED's licence-exempt RSSs. Operation is subject to the following two conditions: (1) This device may not cause harmful interference, and (2) this device must accept any interference received, including interference that may cause undesired operation.

Le présent appareil est conforme aux CNR d' ISSED applicables aux appareils radio exempts de licence. L'exploitation est autorisée aux deux conditions suivantes : (1) le dispositif ne doit pas produire de brouillage préjudiciable, et (2) ce dispositif doit accepter tout brouillage reçu, y compris un brouillage susceptible de provoquer un fonctionnement indésirable.

SOLO6 BE : SPECIFICATIONS

User manual

4

EN

SYSTEM

Frequency response	40Hz - 40kHz
Maximum SPL	113dB SPL (peak @ 1m)

ELECTRONIC SECTION

Input	Type/Impedance Connector Sensitivity	Electronically balanced / 10 kOhms XLR Adjustable, +4dBu ou -10dBV
LF amplifier stage HF amplifier stage		150W rms, BASH [®] technology 100W rms, class AB
Power supply	Main Voltage Connection	230V (1.6A fuse rating) 115V (3.15A fuse rating) IEC inlet and detachable power cord
User controls		Input level switch LF and HF contours (potentiometers) Power ON/OFF switch, mains voltage selector
Indicator		Power on LED

TRANSDUCERS

Woofers	"W" cone, Focal 6W4370B 6.5" drive unit
High frequency	Focal TB871 inverted Beryllium dome tweeter with protective grille
Shielding	Integral through cancellation magnets or by magnet design

CABINET

Construction	19mm MDF panels with internal braces
Finish	Real red veneer on sides
Dimensions (HxWxD)	330mm x 240mm x 290mm - (13"x9.5"x11.4")
Weight	11kg - (24.2lb)

All specifications are subject to change.

TWIN6 BE : SPECIFICATIONS

User manual

5

NE

SYSTEM

Frequency response	40Hz - 40kHz
Maximum SPL	115dB SPL (peak @ 1m)

ELECTRONIC SECTION

Input	Type/Impedance Connector Sensitivity	Electronically balanced / 10 kOhms XLR Adjustable, +4dBu ou -10dBV
LF amplifier stage LF/MF amplifier stage HF amplifier stage		150W rms, BASH [®] technology 150W rms, BASH [®] technology 100W rms, class AB
Power supply	Main Voltage Connection	230V (2A fuse rating) 115V (4A fuse rating) IEC inlet and detachable power cord
User controls		Input level switch Speaker (left/right) switch LF and HF contours (potentiometers) Power ON/OFF switch, mains voltage selector
Indicator		Power on LED

TRANSDUCERS

Woofers	2 x "W" cone, Focal 6W4370B 6.5" drive unit
High frequency	Focal TB871 inverted Beryllium dome tweeter with protective grille
Shielding	Integral through cancellation magnets or by magnet design

CABINET

Construction	19mm MDF panels with internal braces
Finish	Real red veneer on sides
Dimensions (HxWxD)	250mm x 500mm x 340mm (9.8" x 19.7" x 13.4")
Weight	14kg - (30.8lb)

All specifications are subject to change.

SUB6 : SPECIFICATIONS

User manual

6

EN

SYSTEM

Frequency response	30Hz - 250Hz
Maximum SPL	116dB SPL (peak @ 1m)

ELECTRONIC SECTION

Input	Type/Impedance	Left, Right, LFE
	Connector	Electronically balanced / 10kOhms
Output (to satellites)	Connector	Female 3 pins XLR
	Sensitivity	Variable
Amplifier	Type/Impedance	Left, Right
	Connector	Electronically balanced / 50Ohms
Internal processing and functions	Connector	Male 3 pins XLR
	350 W rms, BASH [®] technology	
User controls	Subwoofer section	Left + Right mono summation
	Satellite section	LFE + lo-passed mono sum 24dB/octave variable lo-pass filter Phase adjustment Polarity 24dB/octave, defeatable hi-pass filters with selectable frequency
Indicators (LED's)	Sub level (sensitivity) adjustment	
	Lo-pass frequency adjustment	
Power supply	Phase adjustment	
	Polarity switch	
Indicators (LED's)	Mute	
	2.1 bypass (controlled by external footswitch)	
Power supply	Hi-pass frequency selection	
	Hi-pass defeat	
Power supply	Mains voltage	230V (T1.6AL fuse rating) or 115V (T3.15AL fuse rating)
	Connection	IEC inlet and detachable power cord

TRANSDUCERS

Subwoofer	"W" composite sandwich cone, high excursion Focal 11W7670, 270mm (10.6") drive unit
-----------	---

CABINET

Construction	22mm MDF panels with internal braces
Finish	Real red veneer on sides - Black on body
Dimensions (HxWxD)	380mm x 344mm x 440mm (15" x 13.5" x 17.3")
Weight	23kg (50.7lb)

All specifications are subject to change.

SOLO6 BE - TWIN6 BE - SUB6

User manual

7

Please validate your Focal-JMLab warranty,
it is now possible to register your product online: www.focal.com/warranty



NE

Thank you for purchasing a Focal product. Welcome to our High-Fidelity world. Innovation, tradition, excellence and pleasure are our values; our one and only aim is to bring you a sound that is rich, pure and true. To get the most out of your product, we recommend that you read the instructions in this booklet, then store it in a safe place to refer to in the future.

Unpacking

In addition to one loudspeaker and a user manual (such as this one), each Solo6 Be or Twin6 Be carton should contain:

- A power cord.
- A guarantee card.
- A plastic bag containing an information note “Beryllium inverted dome tweeter”, and some adhesive tape to affix on the tweeter in the unlikely event of the dome being damaged.

In addition to one subwoofer and a user manual each Sub6 Be carton include:

- A power cord.
- A guarantee card.
- A grille protecting the drive unit (which it is advisable to remove whenever possible).

Please check that none of these items are missing, and remove all accessories from the carton.

To remove the loudspeaker from its carton without damage, open the end flaps fully and bend them right back. Then remove the upper cushion and lift the loudspeaker out gently. Inspect the speaker for signs of any possible damage. In the unlikely event of this having occurred please inform the carrier and supplier. It is a good practice to keep the packaging in case of future transportation.

Beryllium

Solo6 Be and Twin6 Be use a tweeter with an inverted dome made from pure beryllium, with the capacity to augment the bandwidth to 40 kHz. In its solid form, beryllium is harmless. However, given its nature, certain precautions should be taken to avoid exposure to unnecessary risks:

- The beryllium dome must never come into contact with abrasive materials.
- If the beryllium dome is damaged in any way, you should cover up the entire surface area of the dome using the protective adhesive strip supplied, as soon as possible. You will find the adhesive strip in the plastic packet containing the leaflet for the tweeter with an inverted dome made from pure beryllium. Contact the retailer to have the tweeter dismantled and replaced by trained personnel at the distributor.
- If the dome is broken, any beryllium particles should be carefully collected using sticky tape and then placed in a hermetically sealed plastic bag and sent back to the retailer along with the loudspeaker.

For more information, please refer to the safe use manual in the box.

You can also address your questions directly to:

beryllium@focal.com

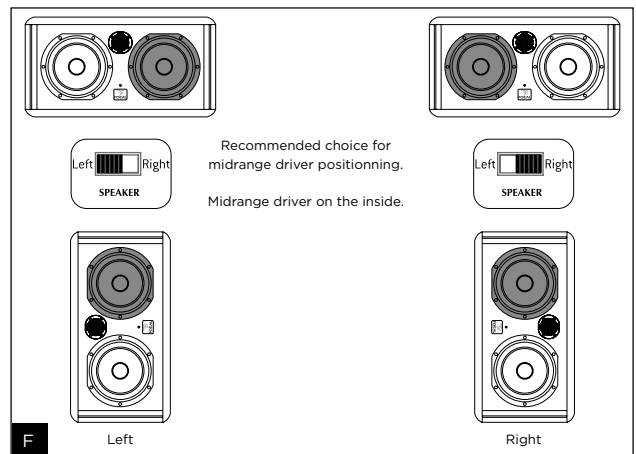
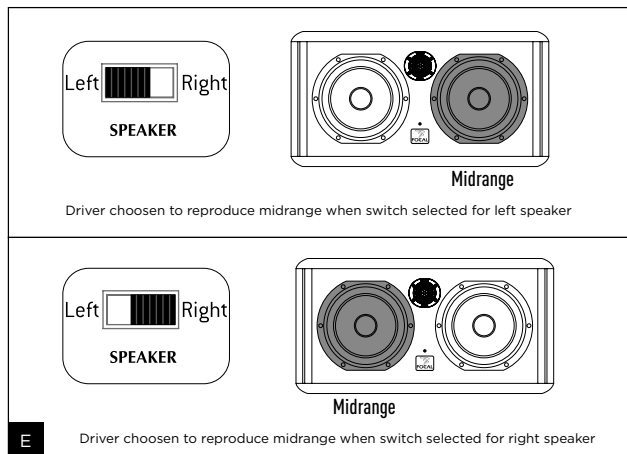
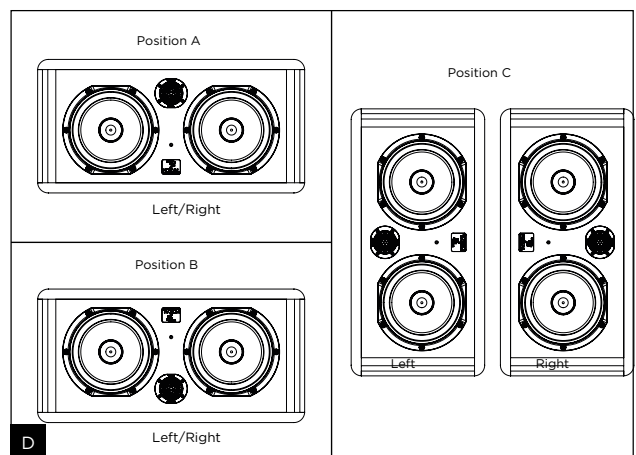
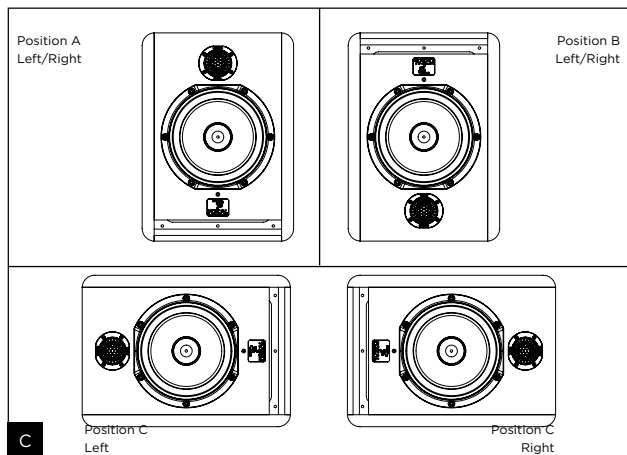
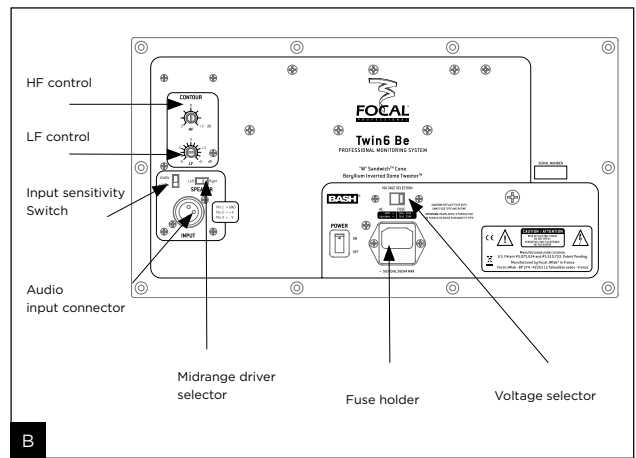
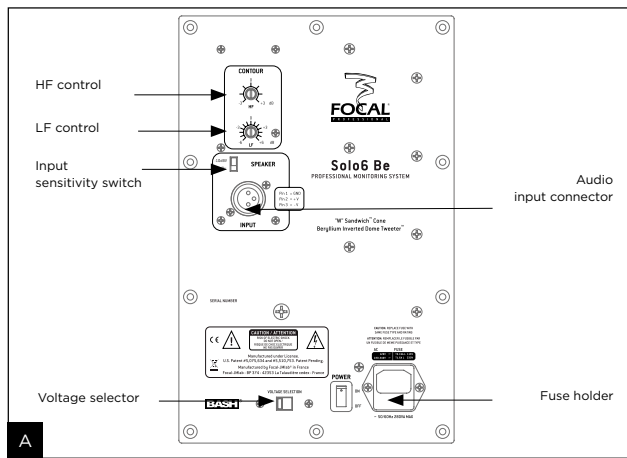
Conditions of warranty

All Focal loudspeakers are covered by warranty drawn up by the official Focal distributor in your country. Your distributor can provide all details concerning the conditions of warranty. Warranty cover extends at least to that granted by the legal warranty in force in the country where the original purchase invoice was issued.

SOLO6 BE - TWIN6 BE - SUB6

User manual

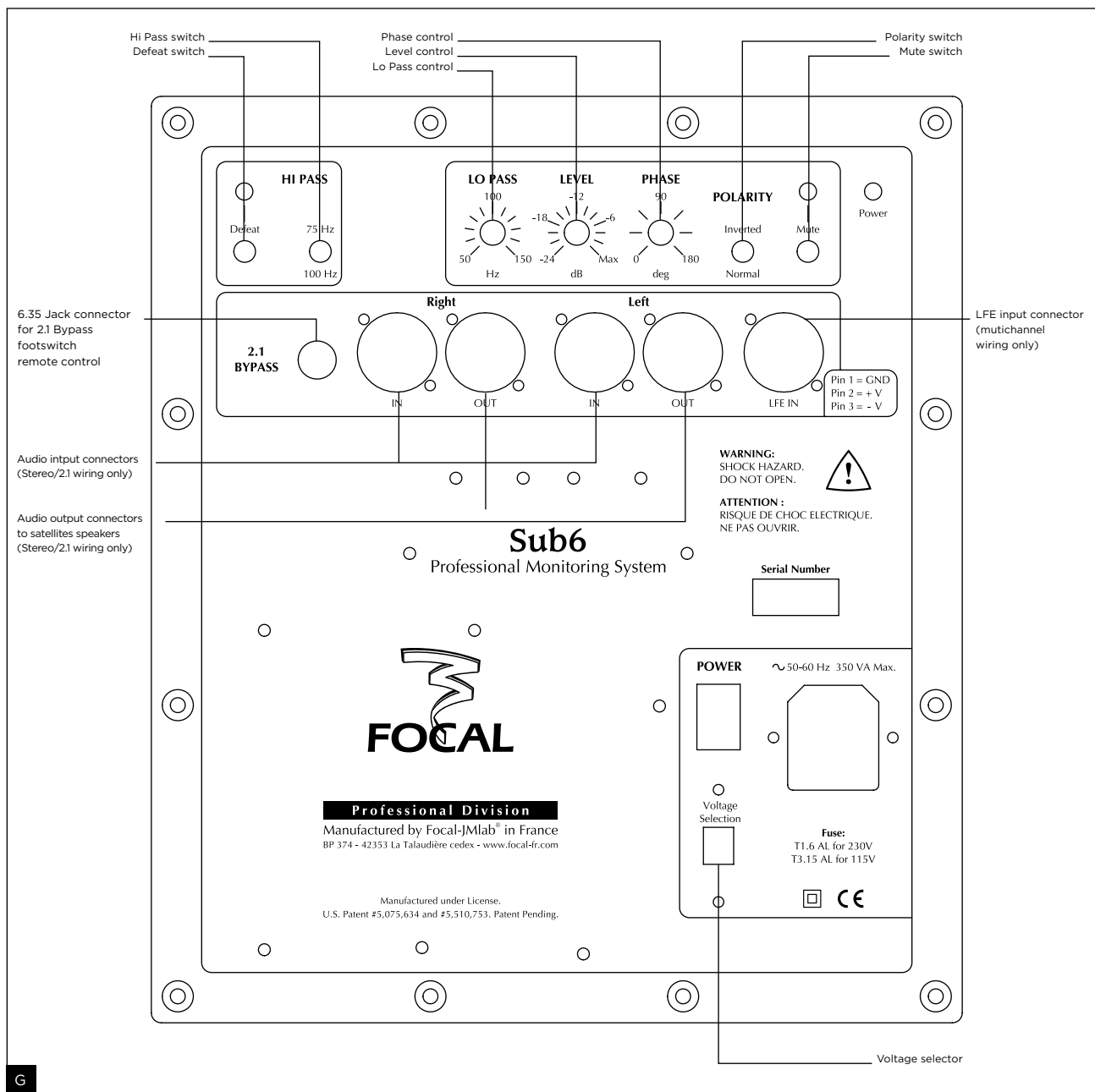
EN



SOLO6 BE - TWIN6 BE - SUB6

User manual

9



G

NE

SOLO6 BE - TWIN6 BE - SUB6

User manual

10

EN

Solo6 Be

Solo6 Be is a two-way active loudspeaker (2 internal amplifiers channels), comprising one “W” cone 6.5” low/mid unit, loaded with a large cross-section laminar port, and an inverted pure Beryllium dome (**fig. A**).

Twin6 Be

Twin6 Be is a three-way active loudspeaker (3 internal amplifiers channels), comprising two “W” cone 6.5” low/mid units, loaded with two large cross-section laminar ports, and an inverted pure Beryllium dome. The two 6.5” drive units operate at low frequencies but only one of them (either can be selected) will reproduce the midrange (**fig. B**).

Sub6

Sub6 is an active subwoofer (1 integral amplifier) designed for professional monitoring systems. It uses a 11” drive unit equipped with a “W” composite cone, and loaded by a large cross-section laminar port (**fig. G**).

Sub6 may be used :

- For bass or sub-bass enhancement in stereo + sub setups (2.1 or 2.2). The rear panel of Sub6 allows for the connection of a traditional stereo source (Left In / Right In), while providing hi-passed outputs intended to feed the main speakers (satellites),
- As a LFE channel (Low Frequency Effects) in a multi-channel installation (5.1, 5.2, 6.1...), via a dedicated input of the rear panel.

Installing

Mains voltage

After having unpacked the unit, first check that the operating voltage is correctly set (see location on rear panel). If it is not, adjust the selector to the appropriate position. Also check and if necessary replace the fuse, which rating depends on the operating voltage (please refer to technical specifications).

Solo6 and Twin6 must be earthed using the power cord supplied.

Audio connections: general

The audio signal is to connect to the XLR inlet. This is a balanced input, which use the standard cabling scheme, namely:

- Pin 1 = Ground (shield)
- Pin 2 = In phase voltage (“hot”)
- Pin 3 = Out-of-phase voltage (“cold”)

If the audio source is unbalanced, common practice is to link “cold” and ground pins (pins 3 and 1 respectively). This is generally achieved within the cable.

Audio connections: Sub6 (**fig. G**)

Stereo + Sub setup (2.1 or 2.2):

Left IN: this input is intended to receive the signal coming from the left channel of your source (mixing console, or other...).

Right IN: this input is intended to receive the signal coming from the right channel of your source (mixing console, or other...).

Left OUT: this output is intended to connect to the left main loudspeaker of your system. The signal supplied by this output is internally processed through a high pass filter.

Right OUT: this output is intended to connect to the right main loudspeaker of your system. The signal supplied by this output is internally processed through a high pass filter.

Multichannel configuration: LFE: this input is intended to feed your Sub6 in a multichannel application (5.1, 5.2, 6.1, ...): this channel is dedicated to low frequencies only.

SOLO6 BE - TWIN6 BE - SUB6

User manual

11

Positioning

Solo6 Be and Twin6 Be are designed for near field monitoring and should be placed at a distance between 1 and 3 metres from the listener, pointing towards the listening position. They can be sitting on the console top or placed on appropriate stands. In any way it is recommended that the tweeter is at a height from the floor approximately equivalent to that of the listener's ears. If required it can make sense to place the speakers upside down so that the previous rule is better fulfilled (*fig. C,D*).

Solo6 Be could be used vertically or horizontally depending on the environment, preferably pointing towards the listener (*fig. C*).

By design Twin6 Be's are rather intended for a landscape orientation, though in some situations they could be positioned vertically. As seen in the earlier rear panel description, Twin6 Be has a switch allowing to choose which drive unit is to reproduce the mid frequencies (see below) (*fig. E*). Consequently it will always be possible, as desirable, to configure the speakers in a "mirror" (ie symmetrical) way (*fig. F*). As a general rule having the "midrange" driver on the inside of the cabinet results in better imaging.

Optimal positioning of Sub6 may vary depending on the surface, the shape and acoustic properties of the listening room. You are advised to try various locations so to choose the one giving the best possible and most level sound balance. As a rule of thumb the optimal location will often be in a corner of the room.

SOLO6 BE - TWIN6 BE - SUB6

User manual

12

EN

Running in

As in all brand new loudspeaker the drivers need some run in period: they are mechanical elements demanding a little time to settle and adapt to the climatic environment. This period will vary depending of the working conditions and may take up to a few weeks. Avoid pushing the speakers very hard during their first hours of use, but to accelerate the run-in process it is good practice to operate the speakers at moderate levels for 20 hours or so, with programmes having significant low frequency content. Only once the transducers have come to stabilize will you get the optimum performance.

Solo6 Be/Twin6 Be/Sub6 Controls

Speaker switch (Left/Right) : only for Twin6 Be

This switch allows the user to select which one of the two 6.5" drivers will reproduce the midrange. By convention, the "Right" position of the switch will select the left hand side driver (when facing the cabinet laying horizontally). Conversely in the "Left" position the right hand side driver (facing the cabinet) will be the one operating in the mid frequencies. It is easy to figure how useful this control is when it comes to get the best possible imaging in any cabinet layout (*fig. E,F*).

Input switch

The input sensitivity can be adjusted using this two position switch. The +4dBu position is suitable for standard professional audio equipment, while -10dBV position may be used for other types of sources providing a lesser output level.

HF contour

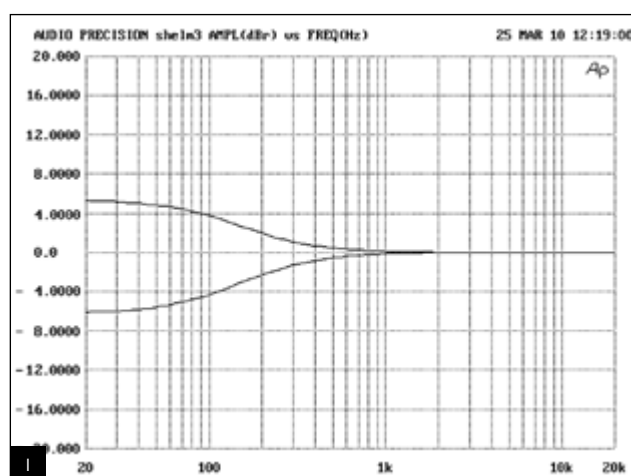
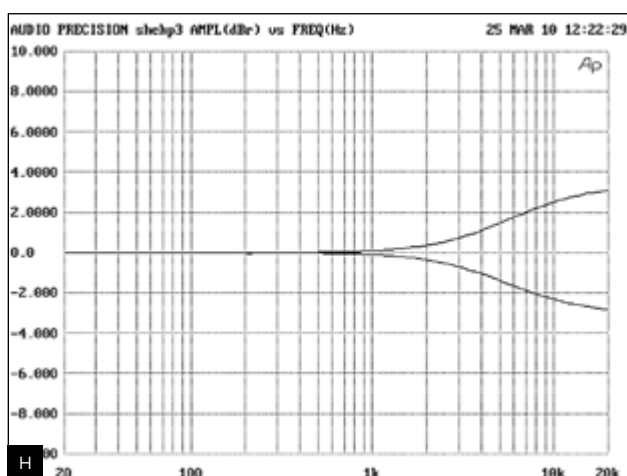
This control allows for a continuous adjustment of the high frequency level; it operates above 5kHz within a ± 3 dB range (*fig. H*).

LF contour

This control allows for a continuous adjustment of the low frequency level; it operates below 150Hz within a ± 6 dB range (*fig. I*). This adjustment is typically useful to deal with possible excessive level of LF energy resulting from acoustic coupling associated with close reflecting surfaces: mixing console, nearby walls...

Power on indicator

A power on LED is located on the cabinet front panel, near the Focal logo.



Sub6 controls (fig. G)

Level

This adjustment allows to set the sound level of the subwoofer relative to that of the main loudspeakers. It should also be optimised taking into account the actual location of the subwoofer and its acoustic consequences: for example in an angle the 6 dB acoustic gain should be compensated by an equivalent attenuation to maintain the overall balance of the system.

Mute

This switch will turn out the output signal of the subwoofer channel (making it silent does not require to switch the power off). When muting the subwoofer the high pass filters used for the main speakers will remain active.

Hi Pass

This area is dedicated to the setting of the high pass filters intended for the main speakers in a 2.1 configuration. The "Defeat" switch allows to disable (ie by-pass) these filters. The 75 Hz / 100 Hz switch allows to select the cut-off frequency, in order to optimise the acoustic recombination between the satellites and Sub6.

Lo Pass

This potentiometer adjusts the cut-off frequency of the low pass filter on the subwoofer channel, thus setting the upper frequency range to be reproduced by Sub6. The goal is to achieve the smoothest frequency response of the whole system: sub + satellites.

Polarity

This switch inverts the signal polarity on the subwoofer channel (ie 180° phase shift).

Phase

This potentiometer provides some fine adjustment of the phase on the subwoofer channel. Combined with the polarity switch it can be used to compensate for the spacing between the sub and the main speakers, so to get a coherent soundfield through a proper time alignment of the different sources.

2.1 Bypass

This input allows for plugging in a control footswitch (not supplied) via a ¼" jack connector.


Turning it active will :

- mute the subwoofer channel
- defeat the high pass filters in the satellites signal paths. The satellites will then be fed with full range signals. This facility allows for instantaneous comparison between the 2.1 configuration (with sub) and the traditional stereo setup (without sub) with the same system.

Power indicator

Power "LED" indicator.

À LIRE EN PREMIER ! INSTRUCTIONS DE SÉCURITÉ IMPORTANTES !

	<p style="text-align: center;">CAUTION RISK OF ELECTRIC SHOCK DO NOT OPEN</p>	
<p>L'éclair représenté par le symbole flèche et contenu dans un triangle équilatéral, a pour objet de prévenir l'utilisateur de la présence de tension élevée au sein de l'appareil pouvant entraîner un risque de choc électrique.</p>	<p>Attention : Afin de prévenir tout risque de choc électrique, n'enlevez pas le capot (ou l'arrière) de cet appareil. Aucune pièce n'est remplaçable par l'utilisateur. Pour entretien ou réparation, contactez une personne qualifiée.</p>	<p>Le point d'exclamation contenu dans un triangle équilatéral, a pour objet de prévenir l'utilisateur de la présence d'instructions importantes mentionnées dans le mode d'emploi et relatives à la mise en oeuvre et à l'entretien de l'appareil.</p>
<p>1. Lisez ces instructions. 2. Conservez ces instructions. 3. Prenez en considération les mises en garde. 4. Suivez toutes les instructions. 5. Risque de choc électrique. Ne pas ouvrir. Ne pas exposer à l'eau ou à l'humidité. 6. Nettoyez uniquement avec un chiffon sec. 7. N'obstruez aucun orifice de ventilation. Installez l'appareil en suivant les instructions du fabricant. Laissez une distance de 5 cm minimum autour du produit pour une bonne ventilation. 8. N'installez pas l'appareil à proximité d'une source de chaleur tel un radiateur, une cuisinière, une bouche de chauffage ou tout autre appareil (y compris les amplificateurs) dissipant de la chaleur. 9. Respectez les instructions de sécurité concernant le cordon d'alimentation secteur. Ce produit appartient aux appareils de Classe 1. Connectez l'appareil uniquement à l'aide de la fiche secteur fournie intégrant une liaison à la terre. L'appareil doit être raccordé à une prise secteur dotée d'une protection par mise à la terre. 10. Assurez-vous que le câble d'alimentation ne puisse pas être piétiné, écrasé ou pincé. Une attention toute particulière doit être accordée à la fiche d'alimentation et à la liaison du cordon avec l'appareil. 11. N'utilisez que les accessoires recommandés par le fabricant. 12. N'utilisez que les appareils de manutention, pieds, trépieds, supports ou tables recommandés par le fabricant ou ceux vendus avec l'appareil. Lorsqu'un chariot est utilisé, redoublez de prudence lors du déplacement de l'ensemble chariot/appareil afin d'éviter toutes blessures par basculement. 13. Débranchez l'appareil en cas d'orage ou pendant de longues périodes pendant lequel l'appareil n'est pas utilisé.</p> 	<p>14. Toute tâche de maintenance doit être réalisée par un personnel qualifié. Une maintenance est nécessaire à la suite de tout dommage occasionné à l'appareil tels que la détérioration du câble ou de la fiche d'alimentation, le déversement de liquide ou l'insertion d'objets à l'intérieur de l'appareil, l'exposition à la pluie ou à l'humidité, le mauvais fonctionnement ou le renversement de l'appareil. 15. Ce produit doit être raccordé uniquement au type d'alimentation secteur indiqué sur l'étiquette figurant sur l'appareil. En cas d'hésitation sur le type d'alimentation de votre installation électrique, consultez le vendeur de votre produit ou votre fournisseur d'électricité. Pour les appareils prévus pour une utilisation à partir d'une batterie ou d'une autre source d'alimentation, se référer au manuel d'utilisation. 16. N'utilisez pas cet appareil dans des climats tropicaux. 17. N'utilisez pas cet appareil dans des zones situées au-dessus de 2000m d'altitude. 18. Ne surchargez pas les prises murales, les rallonges électriques ou les prises multiples. Il pourrait en résulter incendies ou chocs électriques. 19. N'insérez jamais un quelconque objet par les trous de ventilation de l'appareil. Il pourrait entrer en contact avec des composants soumis à de hautes tensions ou les court-circuiter et ainsi occasionner un incendie ou un choc électrique. Ne répandez jamais de liquide sur l'appareil. 20. Ne tentez pas de réparer cet appareil par vos propres moyens; l'ouverture de cet appareil peut vous exposer à des tensions dangereuses ou à d'autres risques. Pour toute intervention de maintenance, adressez-vous à un personnel qualifié.</p>	<p>21. Lorsque le remplacement de composants est nécessaire, assurez-vous que le technicien de maintenance utilise les composants spécifiés par le fabricant ou présentant des caractéristiques identiques à ceux correspondant à l'exemplaire d'origine. Des composants non conformes peuvent provoquer incendies, chocs électriques ou autres risques. 22. Après toute intervention ou réparation sur l'appareil, demandez au technicien de maintenance de procéder à des tests afin de vérifier que le produit fonctionne en toute sécurité. 23. L'appareil ne doit être monté sur un mur ou au plafond que si le constructeur le prévoit. 24. Le commutateur On/Off situé à l'arrière du produit est le dispositif de sectionnement de l'alimentation. Il permet de déconnecter l'électronique du secteur. Il doit toujours rester accessible pour l'utilisateur. 25. Afin d'éviter des dommages auditifs éventuels, n'écoutez pas les enceintes à un niveau sonore élevé pendant une longue durée. L'écoute d'enceintes à forte puissance peut endommager l'oreille de l'utilisateur et entraîner des troubles auditifs (surdité temporaire ou définitive, bourdonnements d'oreille, acouphènes, hyperacousie). L'exposition des oreilles à un volume excessif (supérieur à 85 dB) pendant plus d'une heure peut endommager l'ouïe irréversiblement.</p>  <p>(CEI 60417-6044)</p>

Un échantillon de ce produit a été testé et déclaré en conformité avec les directives européennes et autres normes internationales suivantes :

Compatibilité électromagnétique
EN 55103
EN 61000

Sécurité électrique
EN 60065

SOLO6 BE : SPÉCIFICATIONS

Manuel d'utilisation

15

PERFORMANCES

Réponse en fréquence	40 Hz - 40 kHz
Niveau SPL max	113 dB SPL (crête à 1m)

SECTION ELECTRONIQUE

Entrée	Type/Impedance Connecteur Sensibilité	Symétrie électronique / 10 kOhms XLR Ajustable, +4 dBu ou -10 dBV
Etage d'amplification grave		150 W rms, technologie BASH [®]
Etage d'amplification aigü		100 W rms, classe AB
Alimentation électrique	Tension secteur	230 V (fusible 1,6 A) 115 V (fusible 3,15 A) Cordon secteur CEI amovible
Contrôles utilisateurs		Commutateur de niveau d'entrée Niveaux de grave et d'aigü (potentiomètres) Commutateur marche/arrêt, sélecteur de tension
Indicateur		DEL mise sous tension

TRANSDUCTEURS

Grave		Haut-parleur Focal 16,5 cm 6W4370B à cône "W"
Aigü		Tweeter Focal TB871 à dôme inversé en Béryllium pur avec grille de protection
Blindage magnétique		Intégré, par utilisation de ferrite de blindage ou construction magnétique

ENCEINTE

Construction		Panneaux 19 mm MDF avec renforts internes
Finition		Placage naturel rouge foncé sur les joues
Dimensions (HxLxP)		330 mm x 240 mm x 290 mm
Poids		11 kg

Toutes les caractéristiques sont susceptibles d'être modifiées

TWIN6 BE : SPÉCIFICATIONS

Manuel d'utilisation

16

PERFORMANCES

Réponse en fréquence	40 Hz - 40 kHz
Niveau SPL max	115 dB SPL (crête à 1m)

SECTION ELECTRONIQUE

Entrée	Type/Impedance Connecteur Sensibilité	Symétrie électronique / 10 kOhms XLR Ajustable, +4 dBu ou -10 dBV
Etage d'amplification grave		150 W rms, technologie BASH [®]
Etage d'amplification grave/médium		150 W rms, technologie BASH [®]
Etage d'amplification aigü		100 W rms, classe AB
Alimentation électrique	Tension secteur	230 V (fusible 2 A) 115 V (fusible 4 A) Cordon secteur CEI amovible
Contrôles utilisateurs		Commutateur de niveau d'entrée Commutateur enceinte gauche/droite Niveaux de grave et d'aigü (potentiomètres) Commutateur marche/arrêt, sélecteur de tension
Indicateur		DEL mise sous tension

TRANSDUCTEURS

Grave et grave/médium	2 haut-parleurs Focal 16,5 cm 6W4370B à cône "W"
Aigü	Tweeter Focal TB871 à dôme inversé en Béryllium pur avec grille de protection
Blindage magnétique	Intégré, par utilisation de ferrite de blindage ou construction magnétique

ENCEINTE

Construction	Panneaux 19 mm MDF avec renforts internes
Finition	Placage naturel rouge foncé sur les joues
Dimensions (HxLxP)	250 mm x 500 mm x 340 mm
Poids	14 kg

Toutes les caractéristiques sont susceptibles d'être modifiées

SUB6 : SPÉCIFICATIONS

Manuel d'utilisation

17

FR

PERFORMANCES

Réponse en fréquence	30 Hz - 250 Hz
Niveau SPL maximum	116 dB SPL (pic à 1m)

SECTION ÉLECTRONIQUE

Entrées	Type/impédance	Gauche, Droite, LFE
	Connecteurs	Symétrique électronique/10 kOhms
	Sensibilité	XLR femelle 3 points Variable
Sorties (vers satellites)	Type/Impédance	Sommation mono Gauche + Droite
	Connecteur	Symétrique électronique/50 Ohms XLR mâle 3 points
Amplification	350 W rms, technologie BASH®	
Traitement interne du signal et fonctions	Section subwoofer	Sommation mono Gauche + Droite Sommation mono passe-bas + LFE Filtre passe-bas réglable, 24 dB/octave Ajustement de la phase Polarité Filtre passe-haut débrayable et réglable, 24 dB/octave
Contrôles utilisateur	Réglage du niveau (sensibilité) du subwoofer	
	Réglage de la fréquence de coupure du filtre passe-bas Ajustement de la phase Inverseur de polarité Mute Bypass 2.1 (contrôlé par une pédale externe) Sélection de la fréquence de coupure du filtre passe-haut Désactivation du filtre passe-haut	
Témoins lumineux (LED)	Marche Mute Filtre passe-haut débrayé	
Alimentation électrique	Tension secteur	230 V (fusible 1,6 A) ou 115 V (fusible 3,15 A)
	Connexion	Cordon secteur CEI amovible

TRANSDUCTEUR

Subwoofer	Focal 27 cm à longue excursion, membrane sandwich composite "W", réf. : 11W7670
-----------	---

ÉBÉNISTERIE

Construction	Panneau MDF 22 mm avec renforts internes
Finition	Panneaux latéraux en bois massif teinté rouge Placage plateaux noir
Dimensions (H x L x P)	380 mm x 344 mm x 440 mm
Poids	23 kg

Toutes les caractéristiques sont susceptibles d'être modifiées

SOLO6 BE - TWIN6 BE - SUB6

Manuel d'utilisation

18

Pour validation de la garantie Focal-JMLab,
il est maintenant possible d'enregistrer son produit en ligne : www.focal.com/garantie



FR

Vous venez d'acquérir un produit Focal et nous vous en remercions. Bienvenue dans notre univers, celui de la Haute-Fidélité. Innovation, tradition, excellence et plaisir sont nos valeurs ; notre seul objectif est de vous offrir un son pur, fidèle et riche. Afin d'exploiter toutes les performances de votre produit, nous vous conseillons de lire les instructions de ce livret puis de le conserver soigneusement pour vous y référer ultérieurement.

Déballage

Une enceinte Solo6 Be ou Twin6 Be est livrée accompagnée des éléments suivants (outre le présent manuel) :

- Un cordon d'alimentation.
- Une carte de garantie.
- Un sachet plastique contenant une notice (Tweeter à dôme inversé en Béryllium), ainsi qu'une bande adhésive à apposer sur le tweeter en cas d'endommagement du dôme.

Un caisson de grave Sub6 est livré accompagné des éléments suivants (outre le présent manuel) :

- Un cordon d'alimentation.
- Une carte de garantie.
- Une grille protectrice pour le subwoofer à membrane "W" (notre conseil est de l'enlever pour l'écoute dès qu'il le sera possible).

Vérifiez qu'aucun de ces éléments ne manque, et enlevez tous les accessoires du carton.

Afin de ne pas endommager vos produits lors de leur déballage, veuillez respecter les étapes suivantes : ouvrez complètement les volets du carton. Repliez les côtés. Ôtez la protection supérieure. Soulevez l'enceinte ou le caisson précautionneusement. Vérifiez que l'emballage ne présente aucun signe de détérioration. Si toutefois il était endommagé, prévenez le transporteur et le fournisseur. Il est important que l'emballage soit gardé en bon état pour d'éventuelles utilisations futures.

Béryllium

Solo6 Be et Twin6 Be utilisent un tweeter à dôme inversé en Béryllium pur, capable d'étendre la bande passante à plus de 40 kHz. Sous sa forme solide, ce matériau est inoffensif. Toutefois, par sa nature, certaines précautions doivent être appliquées pour ne pas s'exposer à des risques inutiles :

- Le dôme en Béryllium ne doit jamais être mis au contact d'une matière abrasive.
- Si le dôme en Béryllium est endommagé sous quelle que forme que ce soit, il est nécessaire de le recouvrir dès que possible sur toute sa surface par la bande adhésive de protection fournie. Vous la trouverez dans le sachet plastique contenant la notice dédiée au tweeter à dôme inversé en Béryllium pur. Prendre contact avec le revendeur afin de démonter et de remplacer le tweeter auprès d'un service compétent chez le distributeur.
- Si le dôme est brisé, les particules éventuelles de Béryllium doivent être récupérées avec soin au moyen d'un ruban adhésif, puis être placées dans un sac plastique hermétiquement clos, à retourner au revendeur en même temps que l'enceinte.

Pour de plus amples informations, veuillez vous référer au manuel de précaution d'emploi présent dans l'emballage.

Vous pouvez également poser vos questions directement à l'adresse suivante :

beryllium@focal.com

SOLO6 BE - TWIN6 BE - SUB6

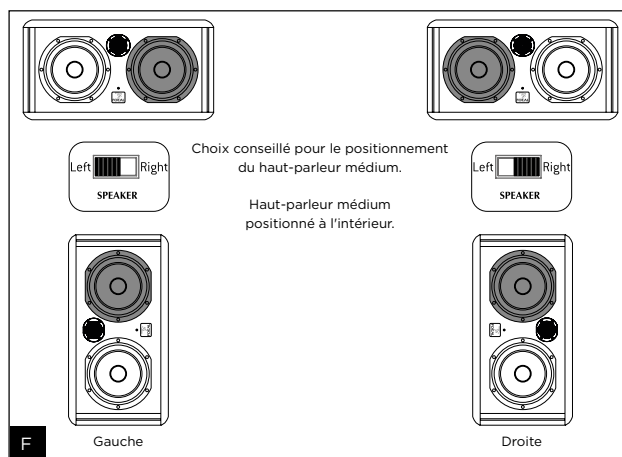
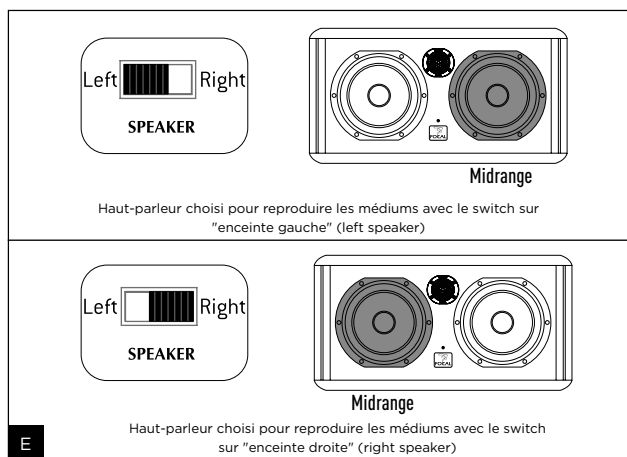
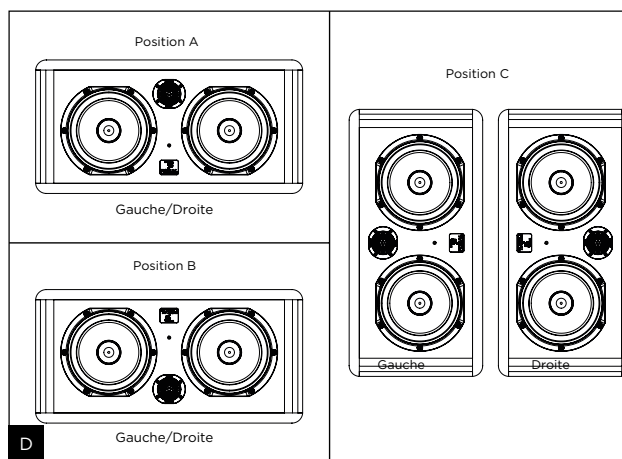
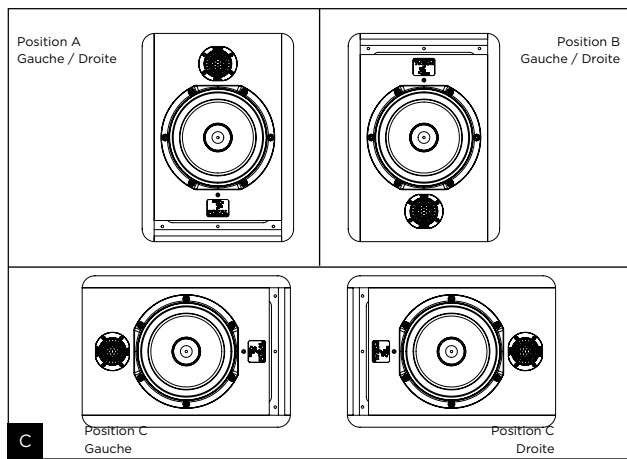
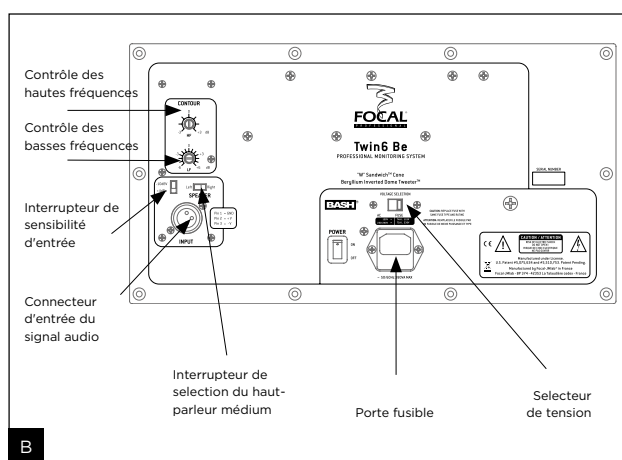
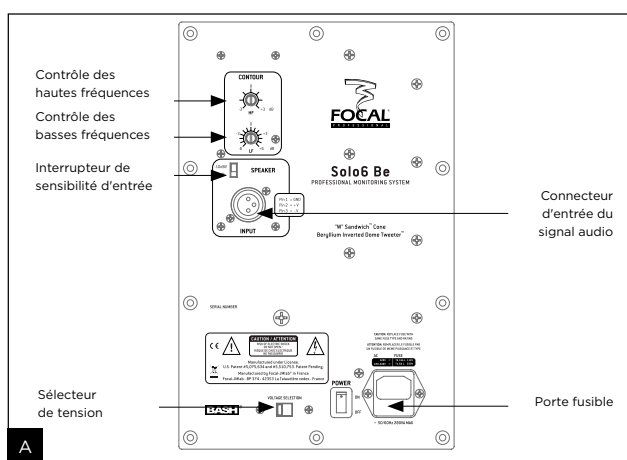
Manuel d'utilisation

Garantie

En cas de problème, adressez-vous à votre revendeur Focal. La garantie pour la France sur tout matériel Focal est de 2 ans, non transmissible en cas de revente, à partir de la date d'achat. En cas de matériel défectueux, celui-ci doit être expédié à vos frais, dans son emballage d'origine auprès du revendeur, lequel analysera le matériel et déterminera la nature de la panne. Si celui-ci est sous garantie, le matériel vous sera rendu ou remplacé. Dans le cas contraire, un devis de réparation vous sera proposé. La garantie ne couvre pas les dommages résultant d'une mauvaise utilisation ou d'un branchement incorrect (bobines mobiles brûlées par exemple...).

En dehors de la France, le matériel Focal est couvert par une garantie dont les conditions sont fixées localement par le distributeur officiel Focal-JMLab de chaque pays, en accord avec les lois en vigueur sur le territoire concerné.

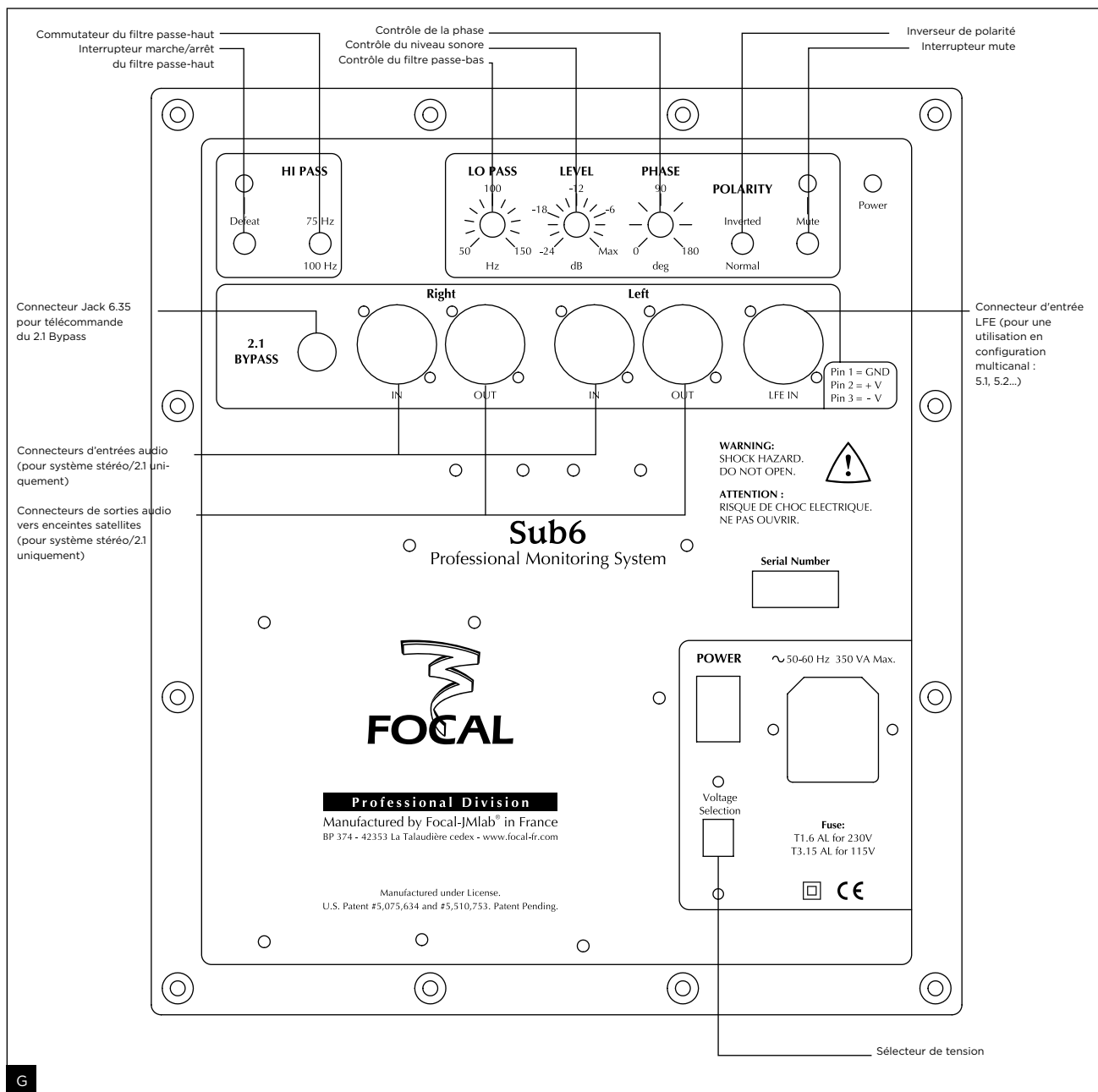
FR



SOLO6 BE - TWIN6 BE - SUB6

Manuel d'utilisation

FR



G

SOLO6 BE - TWIN6 BE - SUB6

Manuel d'utilisation

21

Solo6 Be

Solo6 Be est une enceinte professionnelle de contrôle de proximité 2 voies active (2 amplificateurs internes), constituée d'un haut-parleur grave/médium Focal de 6,5 pouces (16,5 cm) à membrane sandwich composite "W", chargé par un événement laminaire de grande section et d'un tweeter Focal à dôme inversé en Béryllium pur (*fig. A*).

Twin6 Be

Twin6 Be est une enceinte professionnelle de contrôle de proximité ou semi-proximité 3 voies active (3 amplificateurs internes), constituée de deux haut-parleurs Focal de 6,5 pouces (16,5 cm) à membrane sandwich composite "W" chargés par un double événement laminaire de grande section et d'un tweeter Focal à dôme inversé en Béryllium pur. Les deux haut-parleurs de 6,5 pouces reproduisent le grave mais seul l'un d'entre eux (dont on peut choisir le positionnement) reproduit les fréquences "médium" (*fig. B*).

Sub6

Sub6 est un caisson de grave actif (1 amplificateur interne) pour système de contrôle professionnel. Le transducteur utilisé est un subwoofer 27 cm Focal à membrane sandwich composite "W" chargé par un événement laminaire de grande section (*fig. G*).

Sub6 peut être utilisé :

- en complément de grave ou d'infra-grave pour des installations stéréo + subwoofer (2.1 ou 2.2), A cet effet la connectique du panneau arrière du Sub 6 permet le branchement d'une source stéréo traditionnelle (Left In et Right In), mais aussi la récupération d'un signal (Left Out et Right Out) traité via le filtre "passe-haut" inclus dans Sub 6, destiné à alimenter des enceintes associées dites "satellites".
- en canal LFE (Low Frequency Effect) pour une utilisation en système multicanal (5.1, 5.2, 6.1 ...) via une entrée spécifique LFE située sur le panneau arrière du Sub6.

Installation

Alimentation secteur

Après avoir déballé vos produits, vérifiez en premier lieu que la tension d'utilisation sélectionnée est correcte, en fonction de la tension d'alimentation choisie grâce au sélecteur, vérifiez (et si besoin remplacez) également le fusible, dont l'ampérage est dépendant de la tension de service (voir caractéristiques du fusible dans le tableau des spécifications).

Vos produits doivent être impérativement reliés à la terre en utilisant le cordon d'alimentation fourni à cet effet.

Connexions d'entrées audio

L'entrée du signal audio s'effectue par l'intermédiaire d'une prise XLR femelle. Cette embase permet la connexion d'une source de signal symétrique et utilise un schéma de câblage standard :

- Pin 1 = masse (blindage)
- Pin 2 = point chaud (signal en phase)
- Pin 3 = point froid (signal hors phase)

Lorsque la source du signal d'entrée est asymétrique il est usuel de relier le "point froid" (Pin 3) à la masse (Pin 1). Cette connexion est généralement réalisée au niveau des câbles.

Connexions spécifiques au Sub 6 (*fig. G*)

Utilisation du Sub6 en configuration stéréo + subwoofer (2.1 ou 2.2)

Left IN : cette entrée est dédiée à recevoir la sortie gauche de votre source (console de mixage, ou autre ...).

Right IN : cette entrée est dédiée à recevoir la sortie droite de votre source (console de mixage, ou autre ...).

Left OUT : cette sortie est dévolue à l'alimentation de l'enceinte gauche de votre système 2.1. Le signal ainsi récupéré aura auparavant été filtré par le filtre passe-haut de votre Sub6.

Right OUT : cette sortie est dévolue à l'alimentation de l'enceinte droite de votre système 2.1. Le signal ainsi récupéré aura auparavant été filtré par le filtre passe-haut de votre Sub6.

Utilisation du Sub6

LFE : cette entrée est dédiée à l'alimentation de votre Sub6 pour une application multicanal (5.1, 5.2, 6.1, 6.2, 7.1, 7.2 ...). L'entrée LFE est uniquement consacrée aux basses fréquences.

Positionnement

Solo6 Be et Twin6 Be ont été conçues pour être des enceintes de contrôle de proximité et donc être positionnées à une distance de l'ordre de 1 à 3 mètres de l'auditeur, orientées vers lui. Elles peuvent parfaitement être posées sur le dessus d'une console de mixage ou encore être mises sur des pieds adaptés ; sachant que dans tous les cas de figure il est vivement recommandé que la hauteur du tweeter par rapport au sol soit assez proche de celle des oreilles de l'auditeur. En cas de besoin on peut parfaitement imaginer inverser la disposition normale des enceintes et positionner le tweeter en bas de façon à se rapprocher de cette règle (**fig. C, D**).

Les Solo6 Be pourront être positionnées indifféremment verticalement ou horizontalement (**fig. C**) en fonction de l'environnement, de préférence orientées vers l'auditeur.

De par leur conception, les Twin6 Be sont plutôt prédisposées à une écoute horizontale bien qu'on puisse également dans certains cas particuliers les disposer verticalement. Comme vu dans la présentation du panneau arrière, la Twin6 possède un "interrupteur" permettant de choisir l'emplacement du haut-parleur prévu pour reproduire les fréquences médium (Voir Utilisation - Contrôles - Interrupteur Speaker Left/Right) - (**fig. E**). En conséquence, on choisira donc toujours une configuration "symétrique" ou "miroir" par rapport à l'auditeur. En règle générale on choisira de positionner le haut-parleur "medium" à l'intérieur pour une meilleure image (**fig. F**). Dans tous les cas la qualité de l'écoute primera.

Le positionnement optimal du Sub6 varie en fonction de la surface, de la forme et de l'acoustique de la pièce d'écoute. Nous vous conseillons donc d'essayer plusieurs emplacements possibles afin de sélectionner celui offrant la meilleure qualité d'écoute. Il n'est pas rare d'obtenir un résultat optimal en plaçant le Sub6 dans un angle.

Rodage

Les transducteurs utilisés dans Solo6 Be, Twin6 Be et Sub6 sont des éléments mécaniques complexes qui exigent une période de rodage pour fonctionner au mieux de leurs possibilités et s'adapter ainsi aux conditions de température et d'humidité de votre environnement. Cette période varie selon les conditions rencontrées et peut se prolonger sur quelques semaines. Afin d'accélérer le processus, nous vous conseillons de faire fonctionner les différents produits une vingtaine d'heures à niveau moyen, sur des programmes musicaux riches en basses fréquences. Une fois les caractéristiques des transducteurs stabilisées, vous pourrez profiter pleinement des performances de vos produits Focal.

Contrôles

Contrôles spécifiques à Solo6 Be et Twin6 Be

Interrupteur Speaker (Left / Right) - Uniquement sur Twin6 Be

Cet interrupteur donne la possibilité à l'utilisateur de choisir lequel des 2 haut-parleurs de 6,5 pouces reproduira le médium.

Par convention le fait de choisir la position Speaker "Right/Droit" aura pour effet de sélectionner le haut-parleur de gauche (lorsqu'on fait face à l'enceinte) comme celui destiné à reproduire le médium. Inversement le haut-parleur droit (lorsqu'on fait face à l'enceinte) sera celui choisi lorsqu'on mettra le sélecteur sur Speaker "Left / Gauche". On comprend aisément l'intérêt d'un tel contrôle pour obtenir la meilleure image possible grâce à la symétrisation des deux enceintes et ceci quelle que soit la disposition envisagée (**fig. E, F**).

Interrupteur de sensibilité d'entrée (Input)

La sensibilité d'entrée peut être ajustée en utilisant cet interrupteur à deux positions. La position + 4 dBu convient à un équipement audio professionnel standard, alors que la position -10 dBV peut être utilisée pour les autres types de sources fournissant un niveau moins élevé.

Contour "HF"

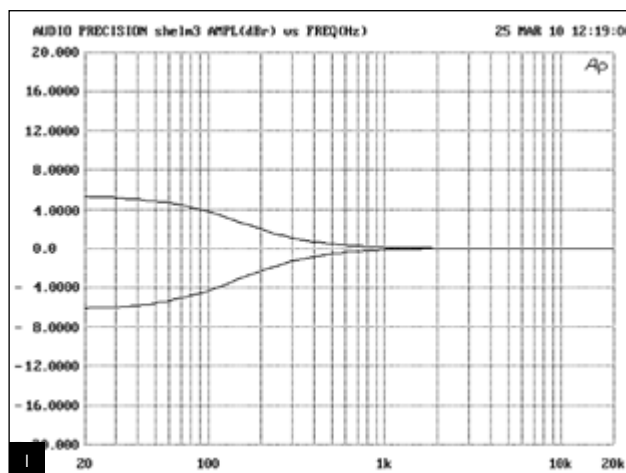
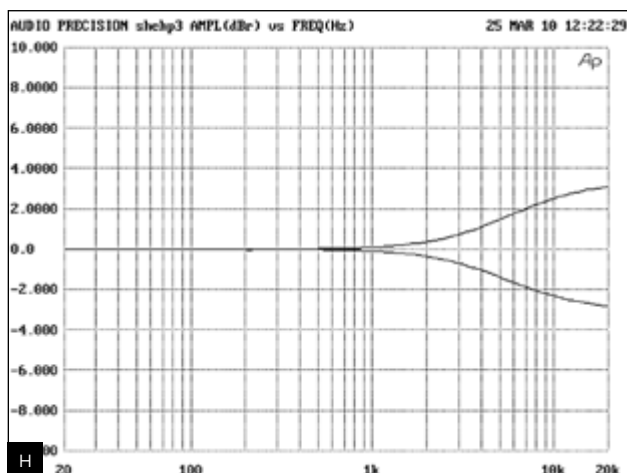
Ce contrôle permet d'ajuster le niveau des fréquences hautes au delà de 5 kHz à ± 3 dB (**fig. H**).

Contour "LF"

Ce contrôle permet d'ajuster le niveau des fréquences graves en deçà de 150 Hz à ± 6 dB (**fig. I**). Ce réglage sera très utile en fonction du positionnement des enceintes sur une console, près d'un mur, dans un coin, on aura tendance à diminuer plus ou moins ces fréquences.

Indicateur

Un témoin "marche/arrêt" sous forme de "LED" se situe sur la façade avant de l'enceinte à proximité du Logo "Focal".



Contrôles spécifiques au Sub6 (fig. G)

Level

Le réglage de niveau du Sub6 permet de déterminer le volume sonore du caisson de grave en fonction de celui des enceintes d'écoute de contrôle. Ce réglage offre en outre la possibilité d'optimiser le choix de l'emplacement du caisson en tenant compte des conséquences acoustiques inhérentes au positionnement du Sub6 (dans un angle : + 6 dB, donc nécessité d'atténuer le niveau pour une parfaite linéarité de la courbe de réponse en fréquence de l'ensemble du système).

Mute

Le commutateur Mute permet d'activer ou non le Sub6 sans avoir à recourir à l'extinction de la partie électronique. Le filtre passe-haut des enceintes d'écoute de contrôle reste quant à lui actif.

Hi pass

Cette zone est dédiée au contrôle du filtre "passe-haut" des enceintes associées au Sub6 lors d'une utilisation 2.1. Le commutateur "Defeat" permet d'activer ou non le filtre passe-haut. Le commutateur 75 Hz / 100 Hz permet de sélectionner une fréquence de coupure, de façon à optimiser le couplage de ces dernières avec le caisson de grave Sub6.

Lo pass

Ce potentiomètre rotatif permet de régler la fréquence de coupure "passe-bas" du caisson de grave afin de déterminer la fréquence la plus haute que le Sub6 aura à retranscrire. Ce réglage a pour but d'optimiser la fréquence de coupure du Sub6. Le but étant bien entendu d'obtenir une courbe de réponse en fréquence de l'ensemble du système (subwoofer + enceintes) la plus linéaire possible.

Polarity

Ce commutateur de polarité inverse la phase du Sub6 de 180°.

Phase

Ce potentiomètre de "réglage fin" de la phase, associé au commutateur de polarité (vu ci-dessus) permettra d'éventuellement compenser le positionnement du Sub6 par rapport à celui des autres enceintes. En fonction de l'éloignement du caisson de grave, de sa position centrale ou non, ce réglage permettra de recevoir de façon synchrone les informations sonores émanant du Sub6 et des enceintes qui lui sont associées.

2.1 Bypass

Cette entrée permet le branchement d'une pédale de contrôle à 2 positions (non fournie) qu'on reliera à l'aide d'un jack 6,35.

L'activation du BYPASS provoquera:

- l'activation du "mute" du subwoofer
- la désactivation du filtre passe-haut dédié aux enceintes "satellites" associées. Les enceintes fonctionneront alors sur l'ensemble de leur bande passante.

Cette manipulation autorisera la comparaison instantanée par commutation rapide, entre un système dit "2.1" (Sub6, associé à 2 enceintes) et un système stéréo traditionnel. Cette possibilité sera particulièrement intéressante lors de l'optimisation du réglage du filtrage (phase, fréquence de coupure, volume) entre le Sub6 et les enceintes qui lui seront associées.

Indicateur "Power"

Témoin "marche / arrêt sous forme "LED".

SOLO6 BE - TWIN6 BE - SUB6

User manual / Manuel d'utilisation

25



Élimination correcte de ce produit.

Ce marquage indique que ce produit ne doit pas être éliminé avec les autres déchets ménagers au sein de l'UE. Par mesure de prévention pour l'environnement et pour la santé humaine, veuillez le recycler de manière responsable, pour favoriser la réutilisation des ressources matérielles. Pour retourner votre appareil usé, veuillez utiliser les systèmes de retour et de collecte ou contactez le détaillant chez lequel le produit a été acheté. Celui-ci pourra procéder au recyclage du produit en toute sécurité.



Correct elimination of this product.

This marking indicates that within the EU this product should not be disposed of with other household wastes. To prevent any risk to the environment or human health, please recycle them responsibly to encourage the reuse of material resources. To return your used device, please use the return and collection systems available, or contact the retailer where you purchased the product. They can recycle this product safely.



Ordnungsgemäße Entsorgung des Produkts.

Diese Kennzeichnung weist darauf hin, dass dieses Produkt innerhalb der EU nicht mit anderen Haushaltsabfällen entsorgt werden darf. Als Präventivmaßnahme für die Umwelt und die menschliche Gesundheit muss auf eine verantwortungsbewusste Wiederverwertung zur Förderung der Wiederverwendung von materiellen Ressourcen geachtet werden. Für die Rückgabe von Gebrauchsgütern verwenden Sie bitte zur Verfügung stehende Rückgabe- und Recyclingsysteme oder wenden Sie sich an den Händler, bei dem Sie das Produkt erworben haben. Letzterer kann das Gerät sicher dem Wertstoffkreislauf zuführen.



Eliminación correcta de este producto.

Este símbolo indica que este producto no debe eliminarse con el resto de residuos domésticos dentro de la UE. Con el objetivo de proteger el medioambiente y la salud pública, recicle de forma responsable para favorecer la reutilización de los recursos materiales. Para devolver su aparato usado, utilice los sistemas de devolución y recogida o póngase en contacto con el vendedor del producto. Este podrá proceder al reciclaje del producto de forma totalmente segura.



Corretto smaltimento di questo prodotto.

Questa marcatura indica che, nell'UE, questo prodotto non deve essere smaltito insieme agli altri rifiuti domestici. A titolo preventivo per l'ambiente e la salute, deve essere riciclato in modo responsabile per favorire il riutilizzo delle risorse materiali. Per mandare indietro l'apparecchio usato, si prega di utilizzare il sistema di reso e raccolta o di contattare il rivenditore da cui è stato acquistato il prodotto, il quale potrà procedere a riciclare il prodotto in totale sicurezza.



Eliminação correta deste produto.

Esta marca indica que, na UE, este produto não deve ser eliminado com outro lixo doméstico. Como medida de prevenção para o ambiente e para a saúde humana, deve ser reciclado de modo responsável, para promover a reutilização dos recursos materiais. Para devolver o seu dispositivo usado, recorra aos sistemas de devolução e recolha ou contacte o comerciante em que o produto foi adquirido. Este poderá proceder à reciclagem do produto com toda a segurança.



Prawidłowe usuwanie produktu.

To oznaczenie informuje, że produkt nie należy usuwać wraz z innymi odpadami z gospodarstwa domowego na terenie UE. W celu ochrony środowiska i zdrowia człowieka, należy w sposób odpowiedzialny prowadzić recykling i wspierać ponowne wykorzystywanie materiałów. Aby zwrócić swoje urządzenie, należy skorzystać z systemu zwrotu i odbioru prowadzonego przez sprzedawcę detalicznego, u którego produkt został nabyty. Sprzedawca będzie w stanie w sposób bezpieczny przeprowadzić recykling produktu.



Tuotteen asianmukainen hävittäminen.

Tämä merkintä osoittaa, että EU:ssa tätä tuotetta ei saa hävittää muiden kotitalousjätteiden mukana. Kierrätä se vastuullisesti ehkäistäkseen mahdollisia vaaroja ympäristölle tai ihmisten terveydelle ja edistääksesi aineellisten voimavarojen uudelleenkäyttöä. Palauta käytetty laite käyttämällä saatavilla olevia palautus- ja keräysjärjestelmiä tai ota yhteys jälleenmyyjään, jolta ostit tuotteen. He voivat kierrättää tämän tuotteen turvallisesti.



Правильная утилизация продукта.

Данная маркировка указывает на то, что в пределах ЕС этот продукт не может утилизироваться вместе с бытовым мусором. В целях предотвращения загрязнения окружающей среды и нанесения ущерба здоровью человека утилизируйте продукт должным образом, позволяющим произвести его повторную переработку. Для того чтобы вернуть бывшее в употреблении устройство, используйте системы возврата и сбора сырья либо обратитесь в пункт розничной торговли, в котором вы приобретали продукт, для организации повторной переработки с соблюдением всех норм безопасности.



Correcte verwijdering van dit product.

Deze markering geeft aan dat dit product in de EU niet samen met ander huishoudelijk afval mag worden weggegooid. Om het milieu en de gezondheid van de mens te beschermen, dient u het product op verantwoorde wijze te recyclen om hergebruik van materiële hulpbronnen te stimuleren. U kunt uw gebruikte apparaat retourneren bij een recyclepunt of milieustation, of neem contact op met de winkel waar u het product hebt gekocht. Zo kan het product op verantwoorde wijze worden gerecycled.

SOLO6 BE - TWIN6 BE - SUB6

User manual / Manuel d'utilisation

26



Korrekt avlägsnande av produkten.

Denna märkning anger att produkten inte ska kasseras med annat hushållsavfall inom EU. För att förhindra skada på miljö och människors hälsa, vänligen återvinn produkten ansvarsfullt för att främja återanvändning av materialresurserna. Använd tillgängliga återlämnings- och insamlingsystem för att återlämna din använda anordning, eller kontakta återförsäljaren som du köpte produkten av. De kan återvinna produkten säkert.

SE



A termék helyes ártalmatlanítása.

Ez a jelölés azt jelzi, hogy a terméket nem szabad az EU területén az egyéb háztartási hulladékkal együtt kidobni. A lehetséges környezeti- és egészségkárosodás elkerülése érdekében kérjük, hogy a hulladékot felelősen hasznosítsa újra, ezzel segítve a nyersanyagok újrahasznosítását. A használt eszközök visszaküldéséhez használja a rendelkezésre álló visszaküldési és gyűjtőrendszereket vagy forduljon a kiskereskedőhöz, akitől a terméket vásárolta. Ők elvégzik a termék biztonságos újrahasznosítását.

HU



Pareiza, šī produkta, likvidācija.

Šis marķējums norāda, ka Eiropas Savienībā šo produktu nedrīkst izmest kopā ar citiem sadzīves atkritumiem. Lai novērstu jebkādu risku videi vai cilvēku veselībai, lūdzam nodot produktu otrreizējai pārstrādei, lai veicinātu materiālo resursu otrreizējo izmantošanu. Lai atgrieztu savu lietoto ierīci, lūdzam, izmantojiet pieejamās atpakalnodotāšanas un savākšanas sistēmas, vai sazinieties ar izplatītāju, no kura iegādājāties šo produktu. Tas var droši pārstrādāt šo produktu.

LV



Pravilno odlaganje tega izdelka.

Ta oznaka pomeni, da tega izdelka v EU ni dovoljeno odlagati z drugimi gospodinjskimi odpadki. V izognitev povzročanju morebitne škode za okolje ali človeško zdravje izdelek reciklirajte odgovorno, da omogočite ponovno uporabo materiala. Če želite rabljeno napravo vrniti, jo vrnite prek sistemov za vračanje in zbiranje, ki so na voljo, ali pa se obrnite na trgovca, pri katerem ste izdelek kupili, ki bo izdelek varno recikliral.

SI



Správná likvidace tohoto výrobku.

Toto označení znamená, že výrobek v EU nelze likvidovat spolu s jiným domácím odpadem. Aby se předešlo možným škodám na životním prostředí či na lidském zdraví, výrobky zodpovědně recyklujte, podpořte tím opětovné využívání materiálů. Pro vrácení použitého výrobku využijte dostupné vratné a sběrné systémy nebo se spojte s maloobchodním prodejcem, kde jste výrobek zakoupili. Ti pak mohou výrobek bezpečně recyklovat.

CZ



Σωστή απόρριψη αυτού του προϊόντος.

Αυτή η σήμανση υποδεικνύει ότι το προϊόν αυτό δεν πρέπει να απορρίπτεται μαζί με άλλα οικιακά απορρίμματα εντός της ΕΕ. Για να αποφευχθεί τυχόν κίνδυνος για το περιβάλλον ή την ανθρώπινη υγεία, παρακαλείσθε να το ανακυκλώσετε υπεύθυνα για να προωθήσετε την επαναχρησιμοποίηση των υλικών πόρων. Για να επιστρέψετε τη μεταχειρισμένη συσκευή σας, χρησιμοποιήστε τα διαθέσιμα συστήματα επιστροφής και συλλογής ή επικοινωνήστε με το κατάστημα από το οποίο αγοράσατε το προϊόν. Αυτοί μπορούν να ανακυκλώσουν το προϊόν με ασφάλεια.

GR



Tinkamas šio gaminio šalinimas.

Šis ženklas reiškia, kad ES šalyse šio gaminio negalima išmesti su buitinėmis atliekomis. Norėdami išvengti pavojaus aplinkai arba žmonių sveikatai, atsakingai pasirūpinkite jo perdirbimu, kad paskatintumėte pakartotinį medžiagų panaudojimą. Norėdami gražinti panaudotą prietaisą, pasinaudokite esamomis atliekų gražinimo ir surinkimo sistemomis arba kreipkitės į pardavėją, iš kurio įsigijote gaminį. Jie gali saugiai perdirbti šį gaminį.

LT



Správná likvidácia tohto výrobku.

Toto označenie určuje, že v rámci EÚ sa tento výrobok nesmie likvidovať spolu s komunálnym odpadom z domácností. Aby sa predišlo rizikám pre životné prostredie alebo ľudské zdravie, zabezpečte ich náležitú recykláciu, čím podporíte opätovné využívanie prírodných zdrojov. Ak chcete použité zariadenie vrátiť, využite na to dostupné systémy zberu a recyklácie odpadu alebo požiadajte o pomoc predajcu, u ktorého ste výrobok kúpili. Ten dokáže tento výrobok bezpečne recyklovat.

SK



Selle toote õige kõrvaldamine.

See märgis näitab, et ELis ei tohi seda toodet käidelda koos muude majapidamisjäätmetega. Ohu vältimiseks keskkonnale või inimeste tervisele viige need vastutustundlikult ümbertöötlusse, et soodustada materjaliressursside taaskasutamist. Oma kasutatud seadme tagastamiseks kasutage saadavalolevaid tagastus- ja kogumissüsteeme või võtke ühendust jaemüüjaga, kellelt te toote ostsite. Müüja võib selle toote ohutult ümbertöötlusse viia.

EE



Korrekt eliminering af dette produkt.

Dette mærke indikerer, at dette produkt, i overensstemmelse med EU, ikke skal bortskaffes sammen med andet husholdningsaffald. For at undgå enhver risiko for miljøet eller menneskers sundhed, skal du genanvende det på ansvarlig vis og således fremme genbrug af materielle ressourcer. Hvis du ønsker at returnere din brugte enhed, skal du bruge de returnerings- og indsamlingssystemer, der er tilgængelige, eller kontakte forhandleren, hvor du købte produktet. De kan genbruge dette produkt på sikker vis.

DK

