

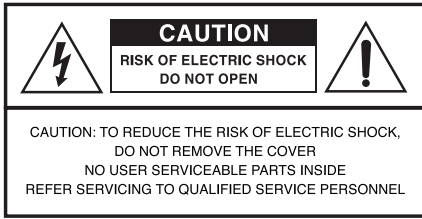
KURZWEIL®

MI30W

USER'S MANUAL

English Manual

HDC YOUNG CHANG



The lightning flash with the arrowhead symbol, within an equilateral triangle, is intended to alert the user to the presence of uninsulated (dangerous voltage) within the product's enclosure that may be of sufficient magnitude to constitute a risk of electric shock to persons.



The exclamation point within an equilateral triangle is intended to alert the user to the presence of important operating and maintenance (servicing) instructions in the literature accompanying the product.

IMPORTANT SAFETY & INSTALLATION INSTRUCTIONS

INSTRUCTIONS PERTAINING TO THE RISK OF FIRE, ELECTRIC SHOCK, OR INJURY TO PERSONS

WARNING : When using electric products, basic precautions should always be followed, including the following:

1. Read all of the Safety and Installation Instructions and Explanation of Graphic Symbols before using the product.
2. Do not use this product near water—for example, near a bathtub, washbowl, kitchen sink, in a wet basement, or near a swimming pool, or the like.
3. This product should only be used with a stand or cart that is recommended by the manufacturer.
4. This product, either alone or in combination with an amplifier and speakers or headphones, may be capable of producing sound levels that could cause permanent hearing loss. Do not operate for a long period of time at a high volume level or at a level that is uncomfortable. If you experience any hearing loss or ringing in the ears, you should consult an audiologist.
5. The product should be located so that its location or position does not interfere with its proper ventilation.
6. This product should be located away from heat sources such as radiators, heat registers, or other products that produce heat.
7. This product should be connected to a power supply only of the type described in the operating instructions or as marked on the product.
8. This product may be equipped with a polarized line plug (one blade wider than be other). This is a safety feature. If you are unable to insert the plug into the outlet, contact an electrician to replace your obsolete outlet. Do not defeat the safety purpose of the plug.
9. The power supply cord of the product should be unplugged from the outlet when left unused for a long period of time. When unplugging the power supply cord, do not pull on the cord, but grasp it by the plug.
10. Care should be taken so that objects do not fall and liquids are not spilled into the enclosure through openings.
11. The product should be serviced by qualified service personnel when:
 - A. The power supply cord or the plug has been damaged;
 - B. Objects have fallen, or liquid has been spilled into the product;
 - C. The product has been exposed to rain;
 - D. The product does not appear to be operating normally or exhibits a marked change in performance;
 - E. The product has been dropped, or the enclosure damaged.
12. Do not attempt to service the product beyond that described in the user maintenance instructions. All other servicing should be referred to qualified service personnel.
13. **WARNING :** Do not place objects on the product's power supply cord, or place the product in a position where anyone could trip over, walk on, or roll anything over cords of any type. Do not allow the product to rest on or be installed over cords of any type. Improper installations of this type create the possibility of a fire hazard and/or personal injury.

RADIO AND TELEVISION INTERFERENCE

WARNING : Changes or modifications to this instrument not expressly approved by KURZWEIL could void your authority to operate the instrument.

IMPORTANT : When connecting this product to accessories and/or other equipment use only high quality shielded cables.

NOTE : This instrument has been tested and found to comply with the limits for a Class B digital device, pursuant to Part 15 of the FCC Rules. These limits are designed to provide reasonable protection against harmful interference in a residential installation. This instrument generates, uses, and can radiate radio frequency energy and, if not installed and used in accordance with the instructions, may cause harmful interference to radio communications. However, there is no guarantee that interference will not occur in a particular installation. If this instrument does cause harmful interference to radio or television reception, which can be determined by turning the instrument off and on, the user is encouraged to try to correct the interference by one or more of the following measures:

The normal function of product may be disturbed by strong electro magnetic

interference. If so, simply reset the product to resume normal operation by following the instruction manual.

In case the function could not resume, please use the product in other location.

- Reorient or relocate the receiving antenna.
- Increase the separation between the instrument and the receiver.
- Connect the instrument into an outlet on a circuit other than the one to which the receiver is connected.
- If necessary consult your dealer or an experienced radio/television technician for additional suggestions.

NOTICE : This apparatus does not exceed the Class B limits for radio noise emissions from digital apparatus set out in the Radio Interference Regulations of the Canadian Department of Communications.

AVIS : Le présent appareil numérique n'émet pas de bruits radioélectriques dépassant les limites applicables aux appareils numériques de la class B prescrites dans le Règlement sur le brouillage radioélectrique édicté par le ministère des Communications du Canada.

SAVE THESE INSTRUCTIONS

Power Supply & Precautions

Make sure your digital piano is rated for the AC voltage supplied in the area in which the piano will be used. The voltage rating appears on the name plate on the adaptor.

To ensure proper and safe operation of the instrument, please read the manual carefully and keep it for future reference.

WARNING



- 1) To reduce the risk of fire or electric shock, do not expose this apparatus to rain or moisture.
- 2) Please connect the designated DC adaptor to an AC outlet of the correct voltage.
- 3) This product should only be used with a standard voltage, if not, please use an appropriate adaptor that is recommended by the manufacturer.
- 4) When opening and closing the key cover, be careful not to pinch hands or fingers.

CAUTION



- 1) Discharge static electricity by touching a metal surface before touching the instrument.
- 2) Protect the keyboard and switches when moving the instrument.
- 3) Ensure the volume is set to the minimum level before turning on the instrument.
- 4) Do not open the inside of the instrument. This instrument contains precision parts which should not be touched.
- 5) Turn off the power after use.
- 6) Unplug the instrument when unused for long periods of time.
- 7) Do not apply excess force to the buttons and switches.

Kurzweil International Contacts

Contact the appropriate Kurzweil office listed below to locate your local Kurzweil representative.

US Customers:

KMC Music
310 W. Newberry Road. Bloomfield, CT 06002
Tel : 860-380-3620
Fax : 818-579-0411
Email : Mark.Lahey@KMCMusic.com

Customers outside the US:

HDC Young Chang Co., LTD.
Tel: +82 32 570 1000

www.hdc-youngchang.com



www.kurzweil.com



<https://kurzweil.com/support/>



<https://www.facebook.com/kurzweilhome/>



<https://www.twitter.com/kurzweilmusic>



<https://www.youtube.com/user/kurzweiltutorials>



<https://www.instagram.com/kurzweilmusic/>

Table of Contents

Chapter 1 Introduction

Primary Features	8
------------------------	---

Chapter 2 Assembly

1. Setting up the M130W	9
-Name of Mechanical Parts	9
-Carton Contents	10
-Accessories	10
-Assembly Instructions	11
2. Power Connection	13
3. Volume	13

Chapter 3 Left Panel

1. Main Buttons	14
-----------------------	----

Chapter 4 Voices & Piano

1. Selecting Voices	15
2. List of Voices	15
3. Selecting GM Voices	15

Chapter 5 Layer Mode

1. Using Layer Mode	16
---------------------------	----

Chapter 6 Split Mode

1. Using Split Mode.....	17
--------------------------	----

Chapter 7 Function Mode

1. Using Function Mode	18
2. Function List	19

Chapter 8 Recording/Duo Mode

1. Recording	20
2. Erasing User Song	20
3. Playing in Duo Mode	20

Table of Contents

Chapter 9 Demo/Edu Mode

- 1. Listening to Demo Songs 21
- 2. Education Mode 21

Chapter 10 Metronome(Rhythm)/Transpose

- 1. Metronome & Rhythm 22
- 2. Transpose 22

Chapter 11 Pedals

- 1. Pedal Features 23
- 2. Pedal type 23

Chapter 12 MIDI

- 1. MIDI Channel 24
- 2. MIDI Connections 24
- 3. Local Control 24
- 4. Using Bluetooth 24
- MIDI Implementation Chart 25

Chapter 13 Connection

- 1. Using Headphones 26
- 2. Audio In 26
- 3. Audio Out 26
- 4. Microphone Input 26
- 5. USB 26
- 6. DC Power Jack 26
- 7. Smart Recording(I/O) 26

Chapter 14 Drum Set 27

Chapter 15 Demo Song List 28

Chapter 16 Sonatine List 29

Chapter 17 GM Sound List 30

Chapter 18 Specifications 31

Chapter 1 Introduction

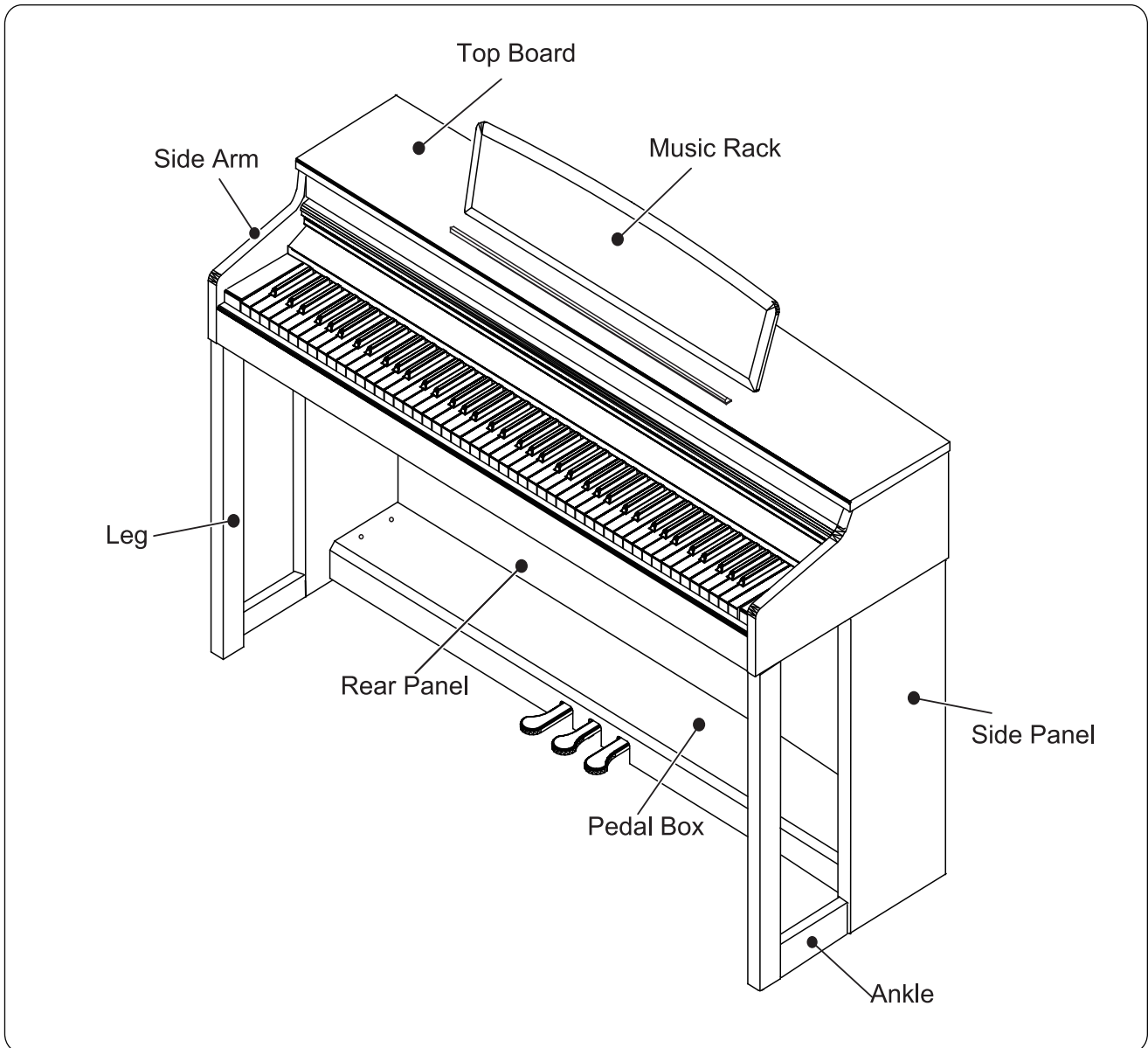
Thanks for purchasing the KURZWEIL Digital Piano.
Please enjoy exploring the variety of features as well as the beautiful preset sounds.

1. Primary Features

- 88-Note Graded hammer-action wood keyboard with 3-point velocity sensor
- 30 Preset Voices + GM 128 Voices
- 20 Rhythm Patterns and 6 Metronomes
- 5 X 7 Dot Matrix Display
- Duo Playing (Dual) Mode
- Layer, Split, Transpose Function
- 256 Notes Polyphony
- Piano Voice Shortcut Button
- Recording Function
- USB MIDI & Audio
- 50 Demo Songs
- Built-in Learning Songs (Beyer, Czerny, Sonatine, Hanon, Burgmuller)
- 3 Pedals : Soft, Sostenuto, Sustain
- 10 Different Types of Velocity Sensitivity
- Stereo Audio Input and Output, Mic Input
- 2 Headphone Jacks
- Smart I/O Jack (4 Pole Jack)
- Bluetooth Audio Input
- Auto Power OFF

1. Setting up the M130W

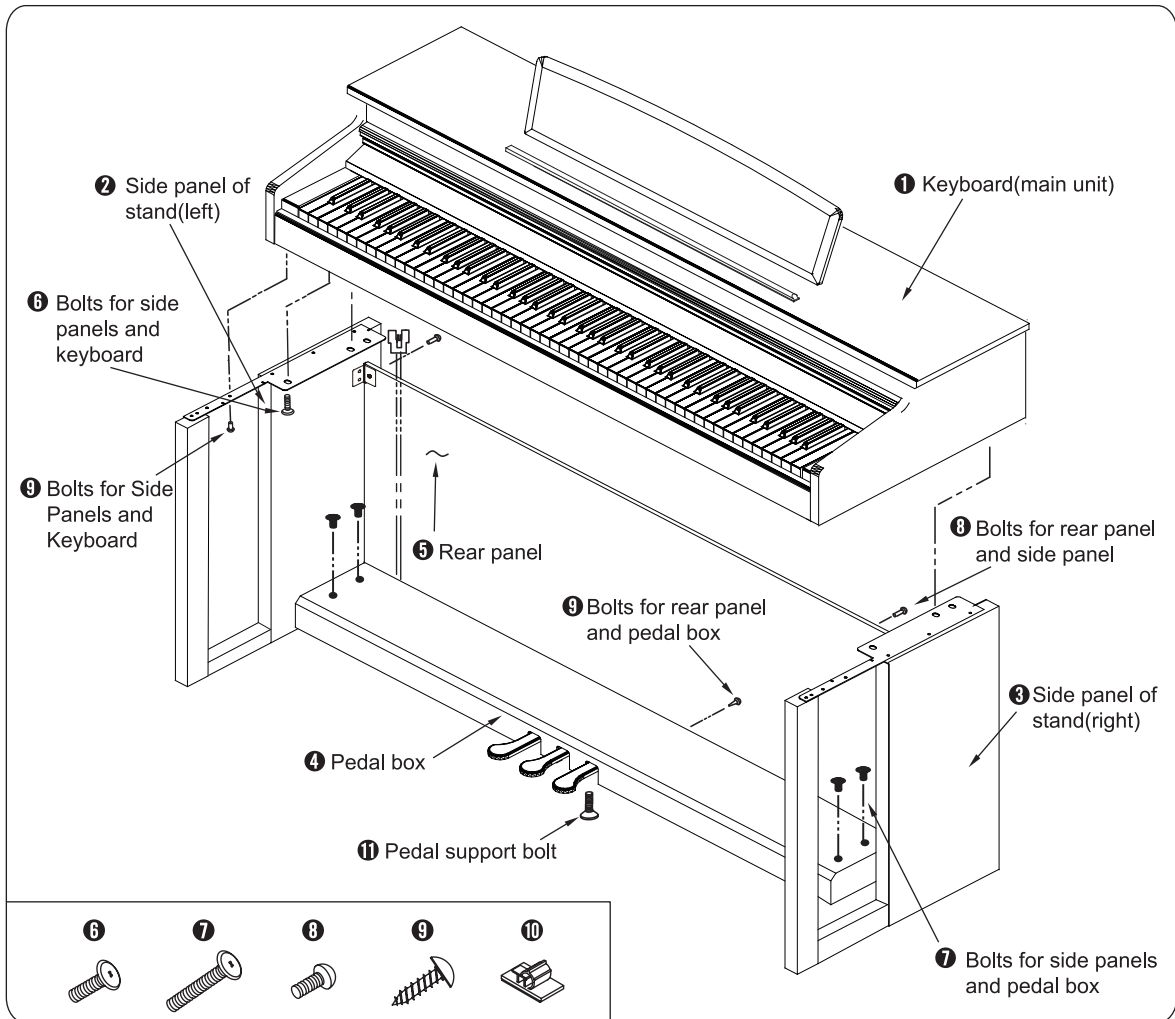
Name of Mechanical Parts _____



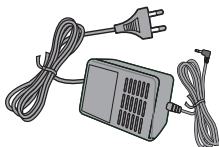
Chapter 2 Assembly

Carton Contents

1	Keyboard (main unit)	1	6	Bolts for side panels and keyboard	4
2	Side panel of stand (left)	1	7	Bolts for side panels and pedal box	4
3	Side panel of stand (right)	1	8	Bolts for rear panel and side panel	2
4	Pedal box	1	9	Bolts for rear panel and pedal box	6
5	Rear panel	1	Bolts for Side Panels and Keyboard		
			10	Cable clamps	2



Accessories



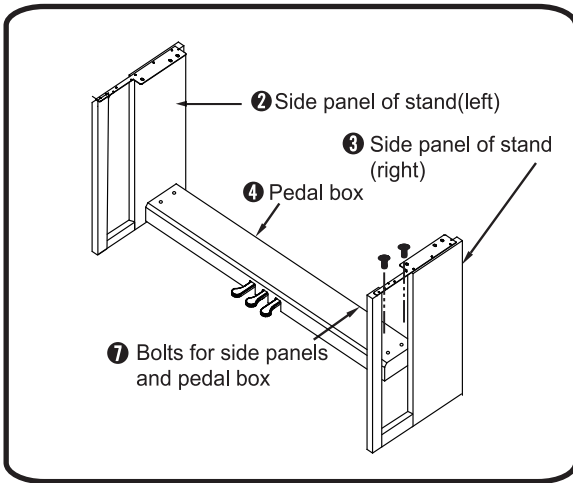
DC Power Adapter
(DC24V 2.5A) with Power Cord



Smart I/O Cable

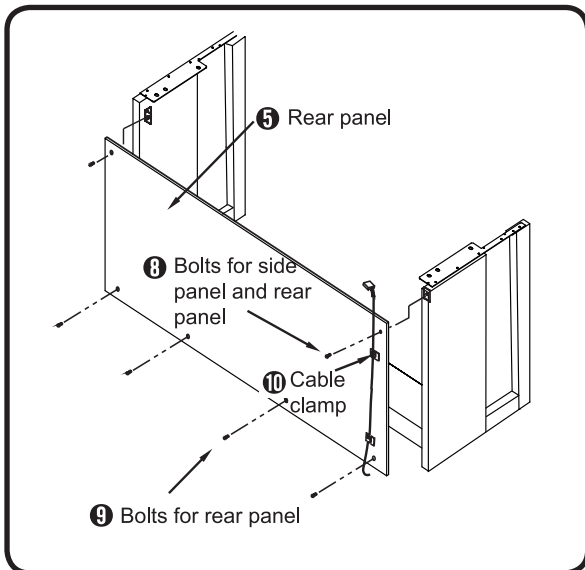
If you are missing any of the above, Please contact your Kurzweil dealer

Side Panels and Pedal Box Assembly



- ① There is a pedal cable in the pedal box ④. Untie and straighten out the bundled pedal cable.
- ② Place the pedal box ④ on the bracket of the left side panel ② then tighten with Bolts ⑦.
- ③ Assemble the right side panel ③ in the same way.

Rear Panel Assembly



- ① Align the rear panel ⑤ with the holes in the L shaped bracket and tighten with Bolts ⑧.
- ② The lower part of the rear panel ⑤ is attached to the pedal box ④ with 4 Bolts ⑨.
- ③ After the rear panel is in place, attach the pedal cable with the cable clamps ⑩.

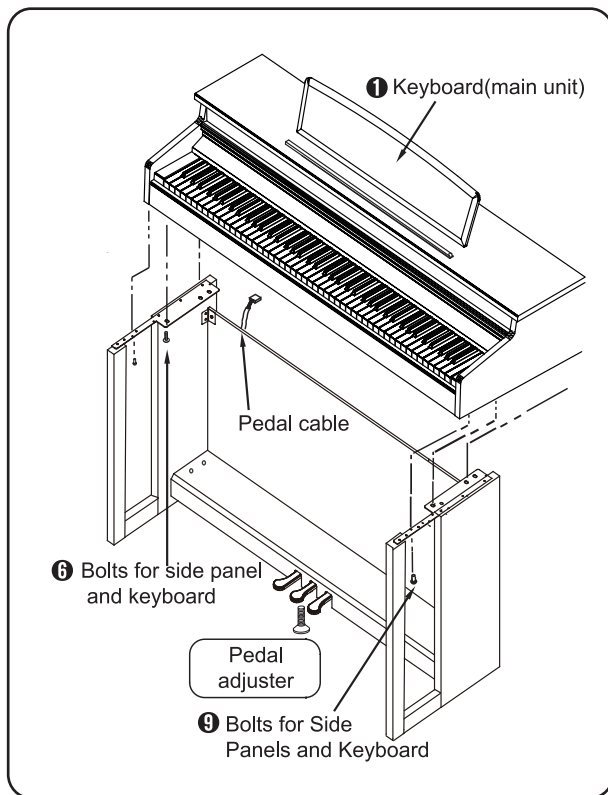
Chapter 2 Assembly

Assembly Instructions

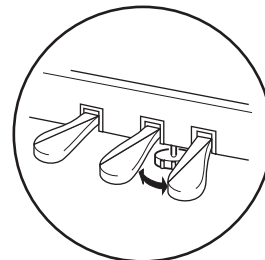


To prevent the main unit from accidentally falling forward when placing it on the stand, do not press down on the front edge of the keyboard or pull down on the main unit before tightening the screws.

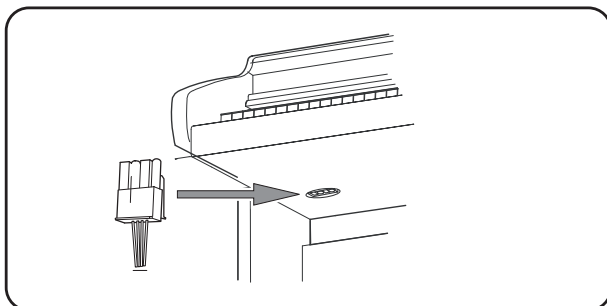
Mount and Attach the Keyboard (Main Unit)



- 1 Place the keyboard (Main Unit) on the stand then fit it into the holes in the side panel brackets.
- 2 Use four Bolts 6 and two Bolts 9 to fasten the keyboard(Main Unit) to the stand.
- 3 Connect the pedal cable to the keyboard(Main Unit).
- 4 The pedal adjuster bolt under the pedal box must be adjusted until it touches the floor. If the pedal adjuster bolt is not in contact with the floor, pressing the pedals may damage the pedal box.



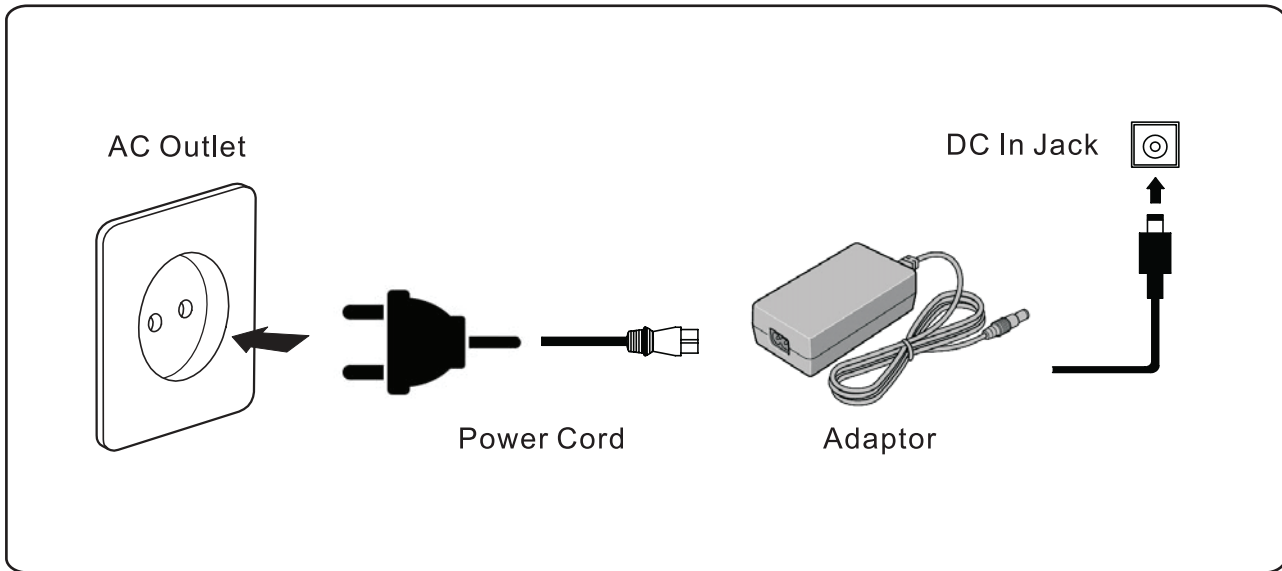
Connect the Pedal Cable



- After assembly is complete, connect the pedal cable to the pedal connector on the bottom of the keyboard (Main Unit).
- Align the pins correctly and push it up until it clicks. If the pins are not oriented correctly, the pedals will not work.
- Organize the wiring using a cable clamp.

After moving the piano to the desired location, the pedal adjuster under the pedal box must be adjusted until it touches the floor.

2. Power Connection



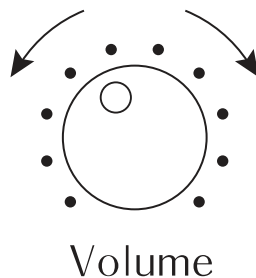
The 130W uses a free voltage (110V-240V) DC power adapter (24V, 2.5A).

Before inserting the AC power cord attached to the adapter into an outlet, make sure that the power switch located on the right panel is turned off. Connecting the power cord with the power switch on may cause damage to the product due to an instantaneous overvoltage.

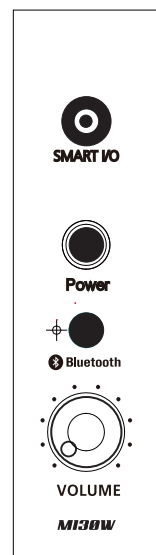
About 2~3 seconds after turning on the power switch, the LED information is displayed and the [Piano] button lights up. The piano is now ready for use.

CAUTION : Please use the supplied DC power adapter (24V, 2.5A). Using the wrong DC power adapter may cause damage to the product. If the adapter is damaged or lost, please contact your HDC Young Chang/Kurzweil dealer.

3. Volume

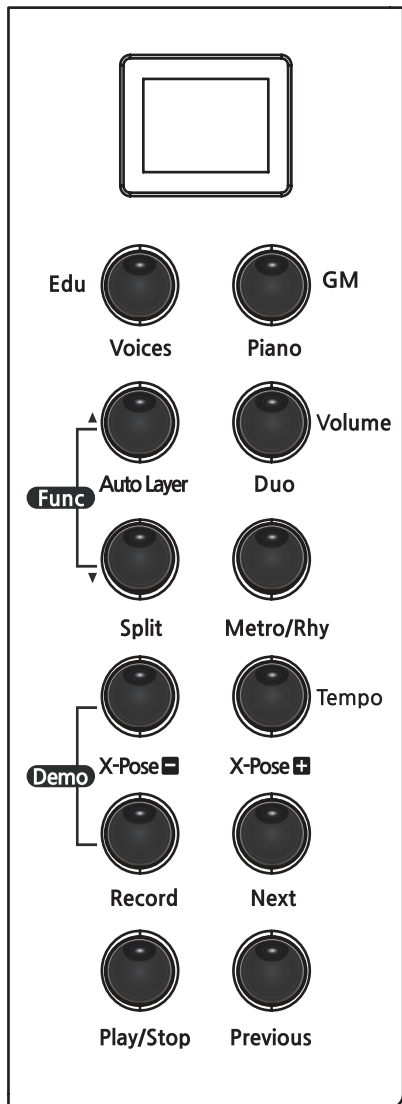
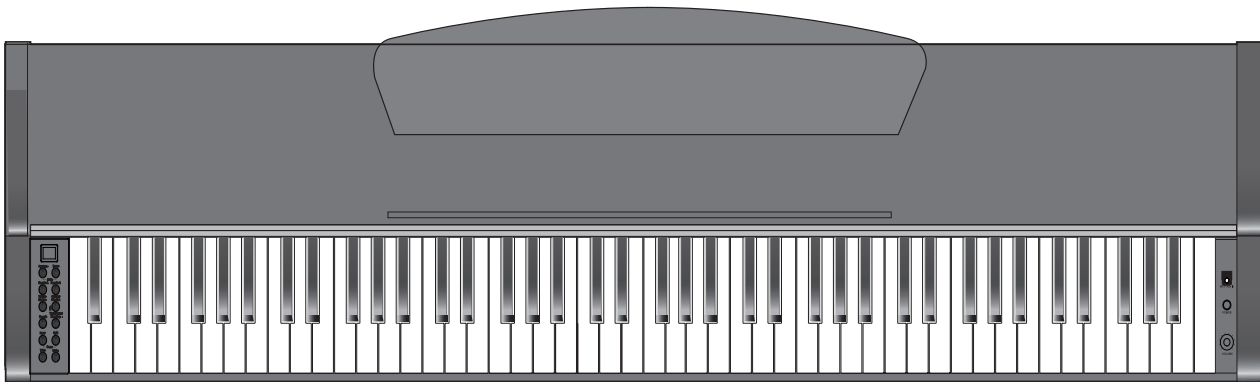


Before turning on the M130W, please set the volume to its minimum setting. For a generally comfortable level of volume while playing, set the knob to its middle position. The main volume control knob is located beneath the power button on the right front panel. Turning it counterclockwise decreases the volume. Turning it clockwise increases the volume.



Chapter 3 Left Panel

1. Main Buttons



(1) Piano button

Pressing the Piano button immediately selects the primary piano sound.

(2) Voices button

Choose from 30 voices to perform with. After pressing the [Voices] button, use the [Next] or [Previous] button to scroll through the voice selections one by one.

(3) Layer button

Combine two voices across the keyboard to create a richer sound.

(4) Duo button

Splits the keyboard in half and allows two people to play the same range of notes at the same time as a duet.

(5) Split button

Split mode divides the keyboard into independent left and right parts where each part can be played with a different voice.

(6) Demo button

Select among the 50 demonstration songs.

(7) Metro/Rhy button

Start/Stop the metronome or select a beat (rhythm).

(8) Record button

Record your performance in real time.

(9) Play/Stop button

Start/Stop recording, playback or demo song.

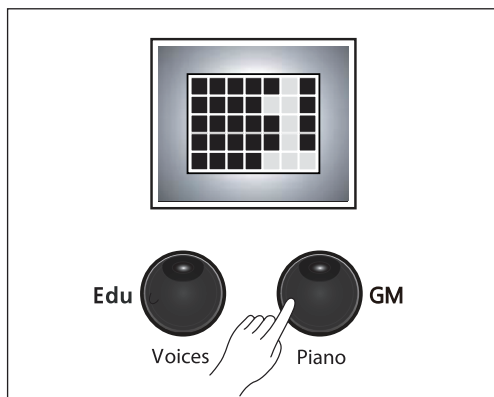
(10) Next button

Select the next voice/demo song one by one or increase the data value +1 in function mode.

(11) Previous button

Select the previous voice/demo song one by one or decrease the data value -1 in function mode.

1. Selecting Voices



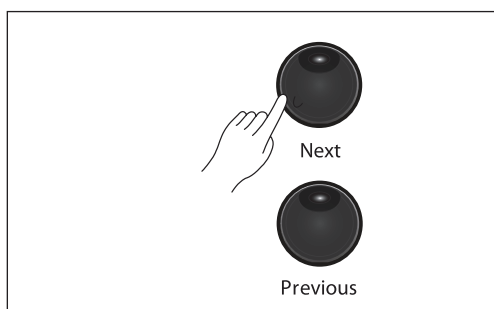
Use the [Voices] or [Piano] button to select a Voice.

- 1) Press the [Voices] button.
- 2) Then use the [Previous] and [Next] buttons to select a voice.

If you want to play the piano voice, press the [Piano] button.

The voice changes to "Concert Piano" regardless of the current voice selected.

The values of Layer, Split, Duo, Reverb, and Effect are initialized.



The selected voice name appears on the display.

(Information is displayed moving from right to left.)

2. List of Voices

No	Voices	AutoLayerVoices	SplitsVoices
1	Concert Piano	49 String Ensemble2	33 Acoustic bass
2	Grand Piano	49 String Ensemble2	
3	E.Piano 1	88 New age pad	
4	E.Piano 3	88 New age pad	
5	Harpsicord	88 New age pad	
6	Vibraphone	88 New age pad	
7	Pop Organ	60 French Horn	
8	Church Organ	60 French Horn	
9	Reed Organ	60 French Horn	
10	A.Nylon	0 Grand Piano	
11	Steel Guitar	0 Grand Piano	
12	Overdrive	0 Grand Piano	
13	A bass	116 Taiko Drum	
14	Finger bass	116 Taiko Drum	
15	Slap Bass	116 Taiko Drum	

No	Voices	AutoLayerVoices
16	Violin	60 French Horn
17	Cello	60 French Horn
18	Pizzicato	60 French Horn
19	String	0 Grand piano
20	synth string	0 Grand piano
21	Choir Aahs	0 Grand piano
22	Trumpet	40 Violin
23	Brass	40 Violin
24	Auto sax	40 Violin
25	Oboe	49 String Ensemble
26	Flute	49 String Ensemble
27	Ocarina	49 String Ensemble
28	Fantasia	9 Celesta
29	Crystal	9 Celesta
30	Drum set	

3. Selecting GM Voices

If you hold down the [Piano] button for 2~3 seconds, GM mode is activated.

In GM mode, the display shows the current GM voice with the [Piano] button blinking.

You can select from 128 GM voices by using the [Next] and [Previous] buttons.

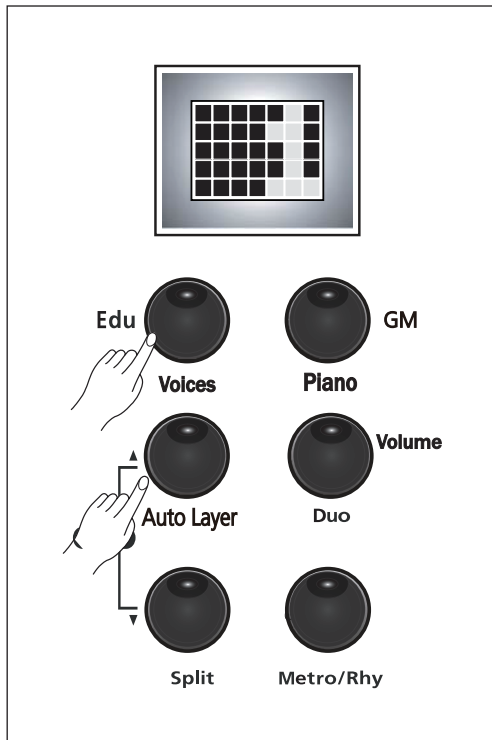
[Auto Layer], [Split], [Duo] mode is canceled in GM mode.

To view the complete GM voice list, please refer to page 30.

Chapter 5 Layer Mode

1. Using Layer Mode

Layer Mode allows you to combine two different voices across the keyboard.

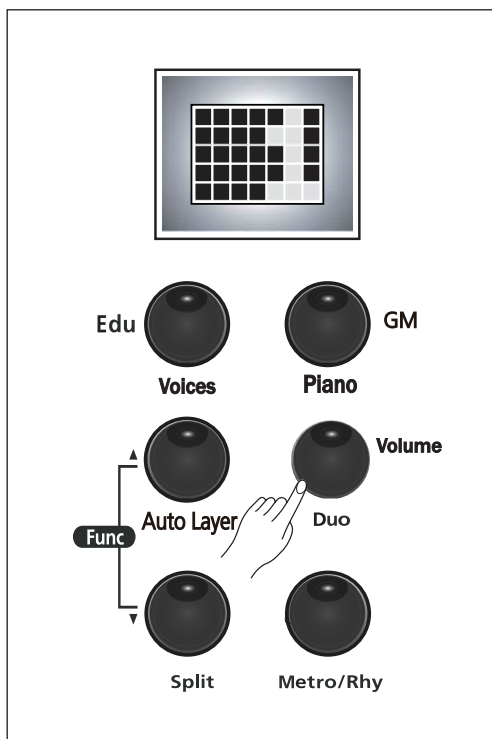


When the [Auto Layer] button is pressed, the Auto Layer voice is automatically set. You can select from the 128GM voices by pressing the [Next] and [Previous] buttons.

To change the primary voice, select the [Voice] button in Layer Mode using the [Next] and [Previous] buttons to select from the 20 main voices. Press the [Piano] button to exit Layer Mode.

Auto Layer

Auto Layer automatically selects a suitable layered voice. Please refer to the list of Auto Layer Voices (page 15).

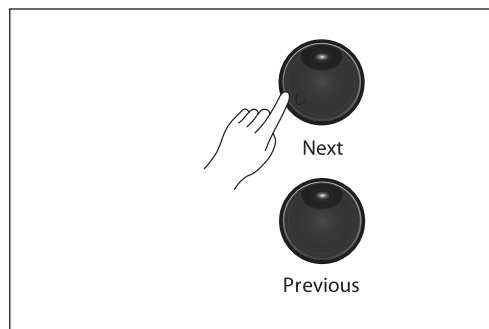


Setting the Layer Volume

In Layer Mode, press the [Volume] button and then use the [Next] and [Previous] buttons to set the desired volume level.

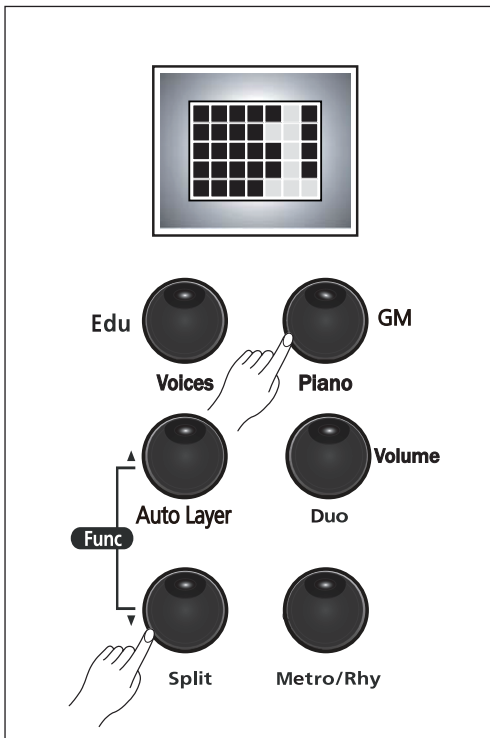
Default Layer Volume: 80

Adjustable Volume Range: 20~120



1. Using Split Mode

Split Mode allows you to split the keyboard into two regions containing two different voices with an adjustable split point.



Press the [Split] button to enter Split Mode.

The left-hand bass region is automatically set to the “a.bass(33)” voice.

Use the [Next] and [Previous] buttons to select the desired left hand voice, choosing from the 128 GM voices list.

To change the right-hand treble voice, press the [Voices] button and select from the 20 main voices using the [Next] and [Previous] buttons.

Press the [Piano] button to exit Split Mode.

Setting the Split Volume:

In Split Mode, press the [Volume] button and then use the [Next] and [Previous] buttons to set the desired volume level. Once the desired volume has been set, do not press any button for 2-3 seconds to automatically exit the volume menu.

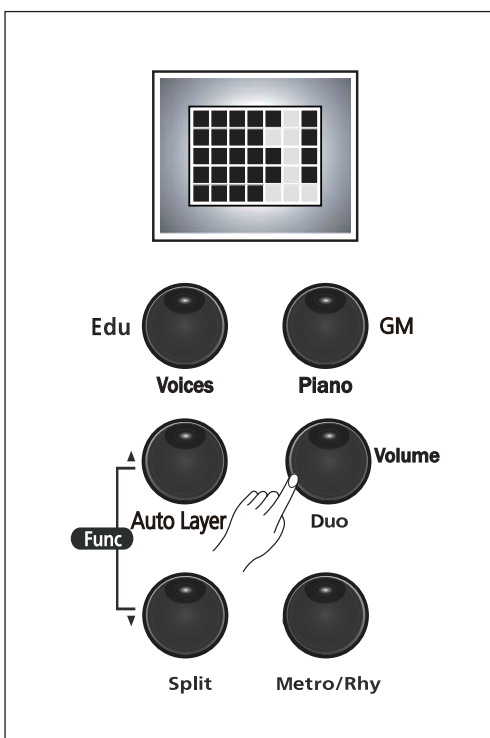
Default Split Volume: 100

Adjustable Volume Range: 20 ~ 120

The split voice is transposed up 1 octave by default.

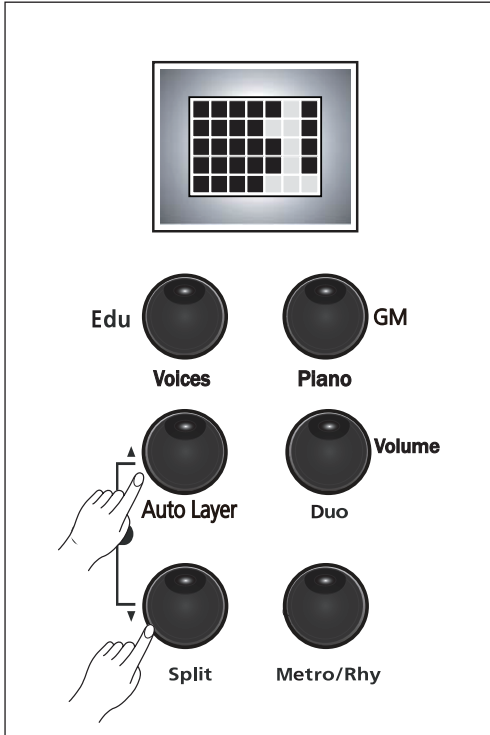
Change the Split Point

To change the split point, Press and hold the [Split] button for 2~3 seconds to display the split point, then press the desired piano key to designate that key as the new split point.

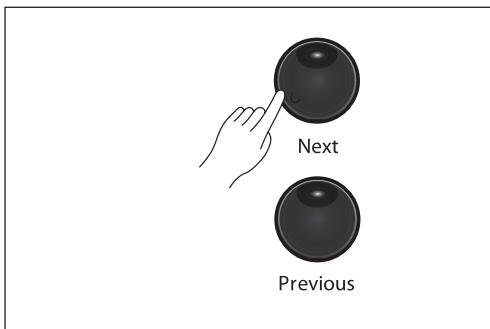


Chapter 7 Function Mode

1. Using Function Mode



To access Function Mode, press the [Auto Layer] and [Split] buttons at the same time.
“ACC VOLUME” will be shown on the display and both LEDs will blink.
Use the [Auto Layer] and [Split] buttons to select the function to be adjusted.



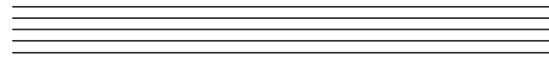
Use the [Next] and [Previous] buttons to adjust the value of the chosen function.

- Function mode settings are only maintained while the power is on. When the instrument is turned off, all Function mode settings revert to their factory default.

2. Function List

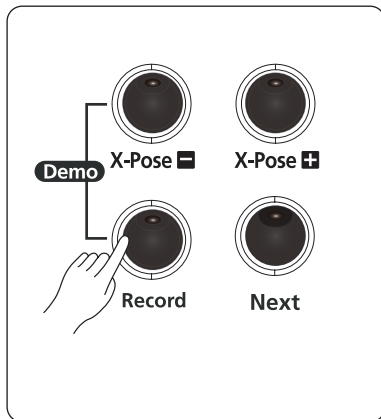
NO	Function	Range	Default	Description
1	ACC Volume	0 ~ 100	70	Adjusts the volume of the background accompaniment.
2	Accompaniment ON/OFF	ON, OFF	ON	Turns the accompaniment on/off. When set to OFF, only the drum pattern is played when rhythm is played.
3	Reverb Type	0 ~ 4	1	0 = OFF, 1 = Room1, 2 = Room2, 3 = Hall1, 4 = Stage
4	Effect Type	0 ~ 4	0	0 = OFF, 1 = Chorus, 2 = Phaser, 3 = Tremolo, 4 = Rotary Caution: A small "tick" noise may occur if this parameter is operated while playing
5	Effect Level	0 ~ 127	60	Adjusts the level of the effect.
6	Tune	427 - 453	440	Adjusts the pitch of the piano. It can be changed in 0.5Hz increments. To reset the tuning to its default value of 440, press the [Next] and [Previous] buttons at the same time.
7	Touch Sensitivity	1 ~ 10	5	You can adjust how the keyboard responds to your playing. 1~3(Soft), 1~3(Normal), 1~3(Heavy), Fixed
8	Demo Song Loop	NO, ONE REPEAT, ALL REPEAT	ALL	Sets the demo play mode. No = Only one selected song is played. One = Plays one selected song repeatedly. All = Play all songs in the selected group.
9	Temperament	1 ~ 7	1	Sets the Temperament 1.Equal, 2.Pythagorean, 3.Pure major, 4.Pure minor, 5.Meantone, 6.Werckmeister, 7.Kimberger
10	Local Control	ON,OFF	ON	Turns the piano sound source ON and OFF. This is useful when connecting with other MIDI devices. In other words, the keyboard will not trigger its own internal sounds and will only control external sound sources connected via MIDI.
11	Damper Resonance	0 ~ 120	10	This effect simulates the natural resonances that occur on an acoustic piano when the sustain pedal is pressed (and all dampers are lifted) and the strings sympathetically vibrate along with played notes. This level parameter controls the amount of effect added.
12	String Resonance	0 ~ 50	30	This effect simulates the natural resonances that occur on an acoustic piano when chords are played and related strings sympathetically vibrate. This level parameter controls the amount of effect added.
13	Auto Power	OFF, 1Hr, 2Hr, 3Hr	1Hr	OFF : Disable Auto Power function 1Hr : If you do not perform any action such as keyboard or function button, the power is automatically turned off after 1 hour. 2Hr : If you do not perform any action such as keyboard or function button, the power is automatically turned off after 2 hour. 3Hr : If you do not perform any action such as keyboard or function button, the power is automatically turned off after 3 hour.

Chapter 8 Recording/Duo Mode



With the easy-to-use song recording features, you can record your own keyboard performances. By recording your performance and experimenting with various voices, you can improve your playing, composing and arranging skills. Furthermore, you can enjoy playing along with a previously recorded song.

1. Recording



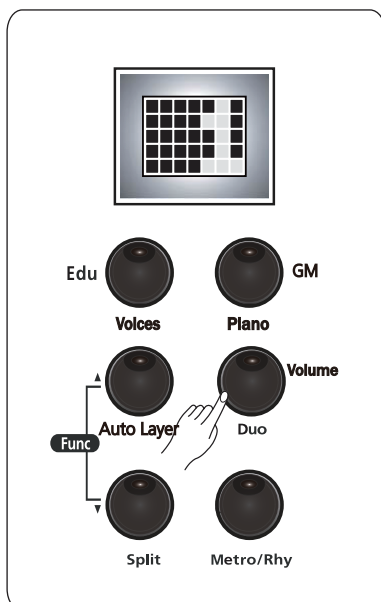
- 1) Press the [Record] button. The [Record] button LED will blink.
- 2) When you start playing (press any piano key), the [Play/Stop] button LED will light up and recording begins.
- 3) Press the [Play/Stop] button again to stop recording.
- 4) Press the [Play/Stop] button again to start playback.

2. Erasing a User Song

- 1) Hold the [Record] button for 2~3 seconds. "Clear" will be shown on the display and the recorded song will be erased.
- 2) When you restart recording, any previously recorded song will automatically be erased and the newly played song will be saved in its place.

Note: Song memory is not deleted when the power is turned off.

3. Playing in Duo Mode



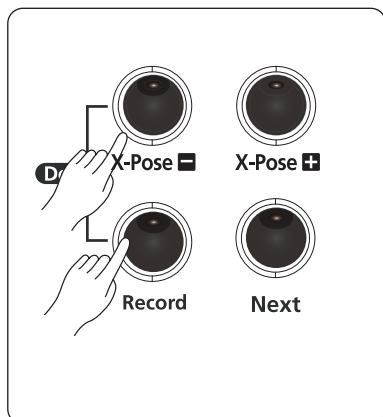
This function allows two people to play piano in split duet fashion over the same range of keys. This is a very useful educational feature allowing a teacher/parent and a child to play together.

When you press the [Duo] button, the 'Duo Piano' appears on the display and you can use the Duo function.

The voice is set to "Piano" and the range is equally divided on both sides of the "E4" key.

In Duo Mode, the soft pedal works as the sustain pedal for the lower key range.

1. Listening to Demo Songs

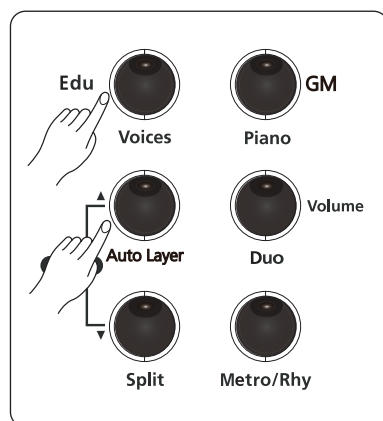


- 1) Press the [X-pose-] and [Record] buttons together at the same time, "Classic" is displayed.
 - 2) The [X-Pose-] and [Record] buttons blink.
 - 3) Select a song with the [Previous] and [Next] buttons. (See list on page 28)
 - 4) Press the [Play/Stop] button to start the demo song.
 - 5) Press the [Play/Stop] button again to stop the demo song.
- Demo song playback behavior (No, One, All) is controlled by the "Demo Song Mode" setting in Function Mode.

Demo song repeat type

1. No : When the song is over, it automatically stops.
2. One : The selected song is played repeatedly.
3. All : All songs are repeated starting from the chosen demo song.

2. Education Mode



- 1) Press [X-pose-] and [Record] buttons together at the same time.
- 2) When you the [Edu] button is pressed, the LED of the [Edu] button turns on.
- 3) Use the [Auto Layer] and [Split] buttons, pressed individually, to select Sonatine, Beyer Czerny(C100,C30,C40), Hanon, Burgmuller.
- 4) Use the [Next] and [Previous] buttons to select an Educational song.
- 5) Press the [Play/Stop] button to start the song.
- 6) Press the [Play/Stop] button again to stop the song.
- 7) Press the [Edu] button to exit Education Mode.

Change tempo in Edu Mode

When you press the [Tempo] button, you can change this value with the [Next] and [Previous] buttons.

Left hand/right hand practice

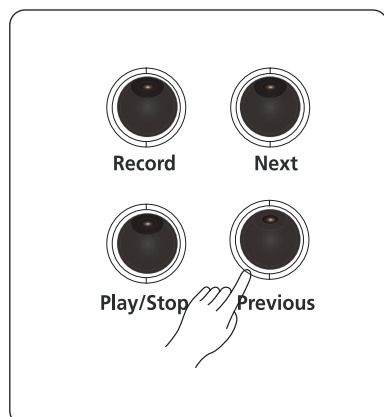
Press the [Edu] button for 2~3 seconds.

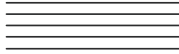
Use the [Next] and [Previous] buttons to select from three available options.

ALL Play: Plays two tracks of left and right hands simultaneously.

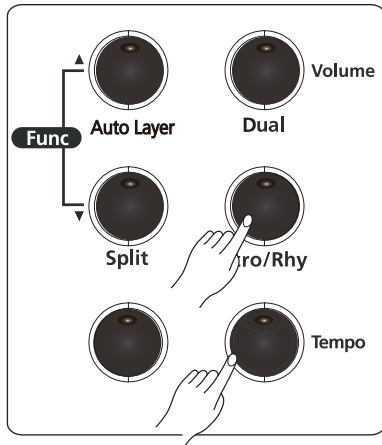
LEFT Play: Play only the left hand.

RIGHT Play: Play only the right hand.





1. Metronome & Rhythm



■ Using the metronome

When you press the [Metro/Rhy] button, the metronome(default setting) is played. Press the [Metro/Rhy] button again to stop the metronome.

■ Changing the metronomes and rhythms

Press the [Metro/Rhy] button for 2~3 seconds to enter the metronome and rhythm selection mode. At this time, you can select from 6 metronomes and 20 rhythms with the [Next] and [Previous] buttons.

You can start or stop playback using the [Play/Stop] button.

■ Playing the rhythm's Prelude/Postlude and Interlude

When playing a rhythm, the left(Soft) and middle(Sostenuto) pedals can be used as Interlude (Fill-in) and Prelude/Postlude. When the rhythm starts, if you press the middle pedal, the interlude pattern is played and the modified rhythm pattern is played. Press the pedal again to play an interlude and return to the default pattern. Select the rhythm you want to play and press the left pedal, the [Metro/Rhy] LED will blink. At this time, if you press the [Metro/Rhy] button twice to start the rhythm, it will start with the Prelude.

If you press the left pedal again while the rhythm is playing, the Postlude plays and the rhythm stops.

■ Change tempo of the rhythm

When you press the [Tempo] button, the tempo of the currently selected rhythm is displayed.

You can change the tempo by using the [Next] and [Previous] buttons.

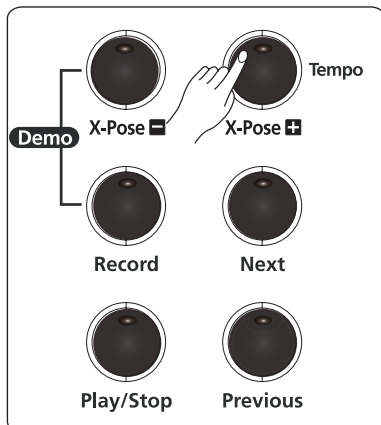
When the rhythm is changed, the tempo is also reset.

List of Rhythms

NO	Rhythm	NO	Rhythm
1	Dance	11	Bosanova
2	Light Rock	12	Samba
3	Pop	13	March
4	Pop Polka	14	Waltz
5	Hard Rock	15	Cha Cha
6	Country	16	Reggae
7	Rhumba	17	Jazz
8	8Beat	18	Rhythm Beat
9	16Beat	19	Swing Rock
10	Ballade	20	Fox Trot

2. Transpose

Transpose is a function that lets you play in a different key or octave than physically played. This can be useful, for example, in changing song keys to better accompany a singer's range or if you are playing music written for a transposed instrument. The transposition can be raised or lowered in semitone increments.



You can use the [X-Pose +] or [X-Pose -] button to set the transpose in semitones (100 cents). When transposing upward, the [X-Pose +] button LED lights. When transposing downward, the [X-Pose -] button LED lights.

Transpose range: -24 ~ +24

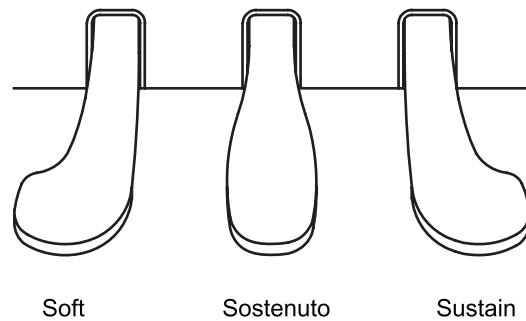
Default: 0

Caution: The lower or upper keys may not sound when transposed to extremes.

1. Pedal Features

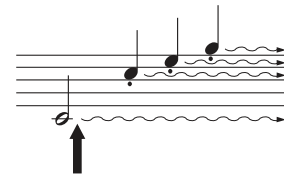
The pedals on the M130W have the same function as those of a grand piano. Therefore, the silent pedal (middle pedal) function of an upright piano is not supported. Please use the volume control in lieu of a silent pedal function.

2. Pedal Type



(1) Sustain Pedal

Also called the damper pedal on an acoustic piano, pressing this pedal causes all notes to sustain, or gradually ring out, even when you lift your fingers from the keys.



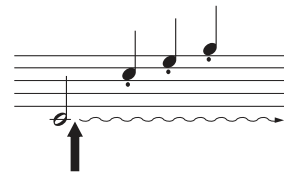
(2) Soft Pedal

Notes played while this pedal is down, sound softer than those played when the pedal is up.

Press the pedal from this point.

(3) Sostenuto Pedal

Keys that are already held down at the time this pedal is pressed will sustain, however, any keys played after the pedal is down will not sustain.



Press the pedal from this point

NOTE

If the pedals don't work, make sure that the pedal cord is properly plugged into the main unit (see page 12).

Chapter 12 MIDI

MIDI is the acronym for Musical Instrument Digital Interface. Which is an industry standard protocol for electronic musical instruments to communicate with each other.

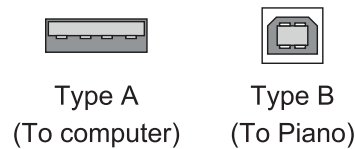
1. MIDI Channel

The MIDI protocol supports the transmission of multiple channels of MIDI performance data. Each channel can be assigned its own voice. Typical MIDI instruments can play up to 16 channels at the same time. Which is equivalent to 16 soloists.

2. MIDI Connections

The instrument can be connected to a computer via a USB cable.

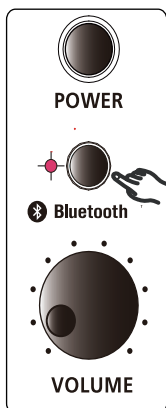
Use a Type A to B USB cable to connect to a computer. (The type B connector connects to the piano as shown in the figure below.) When a computer is connected, it works as a MIDI controller.



3. Local Control

Local Control allows you to control whether the keyboard of the main unit will trigger the internal sound engine. Usually Local Control should be set to On. When using the instrument to record to an external sequencer or computer, turn this setting to Off to avoid creating a MIDI loop which may result in stuck notes or “echoes”. When the instrument is connected with an external sequencer, please check this function.

4. Using Bluetooth™ Mode



Using the Bluetooth function, you can enjoy music playback from your smartphone through the piano's sound system.

- 1) When the [Bluetooth] button is pressed, the LED of the button blinks with a “beep” sound occurring at 1 second intervals.
- 2) To connect, activate Bluetooth on the smartphone to start its search function.
- 3) When connected, “SM-BT Audio” is registered on the smartphone and the LED blinks at 1 second intervals.
- 4) Once registered, you can play the music you want to listen to on your smartphone through the internal speakers of the piano.
- 5) Volume adjustment can be done on the smartphone and the piano.
- 6) Press the [Bluetooth] button again to exit Bluetooth mode.

MIDI Implementation Chart

Manufacturer:

HDC YOUNG CHANG Co. LTD.

Date : 2021.2.15

Version 1.0

Function		Transmitted	Recognized	Remarks
Basic Channel	Dufault	1	1	Memorized
	Changed	1 - 16	1 - 16	
Mode	Dufault	Mode 3	Mode 3	Use Multi mode for multi-timbral applications
	Messages			
	Altered			
Note Number			0 - 127	
	True Voice	0 - 127	0 - 127	
Velocity	Note ON	O	O	
	Note OFF	X	X	
After Touch	Keys	X	X	
	Channels	X	O	
Pitch Bender		X	O	
Control Change		0 - 31	0 - 31	
		32 - 63 (LSB)	32 - 63 (LSB)	
		64 - 127	64 - 127	
Program Change		0 - 20	0 - 20	
	True #	0 - 127	0 - 127	
System Exclusive		O	O	
System Common	Song Pos.	O	O	
	Song Sel	O	O	
	Tune	X	X	
System Real Time	Clock	O	O	
	Messages	O	O	
Aux Messages	Local Control	O	O	
	All Notes Off	O	O	
	Active Sense	O	O	
	Reset	X	X	
Notes				

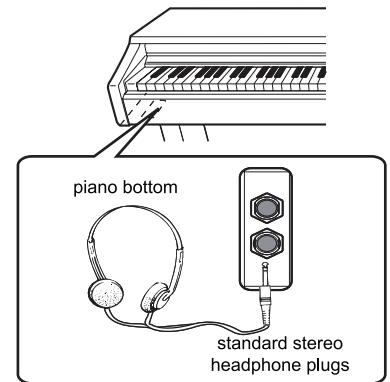
Chapter 13 Connection

1. Using Headphones

The M130W supports using two pairs of headphones with 1/4" plugs.

CAUTION

To avoid the risk of hearing loss when using headphones, please do not play the piano with a high volume level for extended periods of time.



2. Audio In

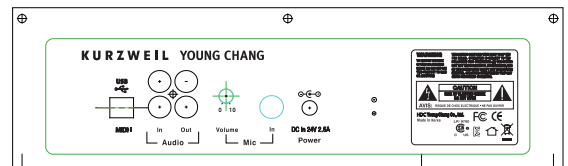
Connect the audio output of an MP3/CD player or other audio source to the AUDIO IN jack. You will be able to hear the music through the internal speakers of your keyboard. RCA cables are needed for the connection.

3. Audio Out

You can connect a stereo system to amplify the instrument's sound by using the Audio Out jack. When the instrument's sound is output to an external device, first turn on the power to the instrument then to the external device. Reverse this order when you turn the power off. RCA cables are needed for the connection.

4. Microphone Input

Sing along with your playing. Connect a microphone with a 1/4" plug and you will be able to hear the microphone signal through the M130W's speakers. Adjust the volume using the adjacent knob (range 0-10).



5. USB

The USB connection transmits audio data as well as transmitting and receiving MIDI data between the instrument and a computer.

6. DC Power Jack

Connect the power adapter to the DC Jack.

7. Smart Recording (I/O)

If you connect the supplied cable from the SMART I/O jack on the right panel of the piano to the earphone jack of a smartphone, you can record without external noise when recording a performance video with the video recording function of the smartphone. When playing content on a smartphone, you can hear the sound through the internal speakers of the piano.

Depending on the smartphone manufacturer and particular device, the smart recording function may not be supported. The supported cable is a 4-pole terminal (American standard type). If you use a cable that uses a 3-pole terminal, only input from the smartphone to the piano will function.



NOTE When connecting cables, noise may be introduced and a roaring sound may occur instantaneously, so be sure to minimize the volume or turn off the power before connecting.

Since the recording volume may vary during smart recording, it is recommended to set the volume to the 12 o'clock position as shown on the right.



Chapter 14 Drum Sets

	A 0	
	A# 0	
	B 0	
	C 1	
	C# 1	
	D 1	
	D# 1	High Q
	E 1	Slap
	F 1	Stratch Push
	F# 1	Stratch Pull
	G 1	Sticks
	G# 1	Square Click
	A 1	Metronome Click
	A# 1	Metronome Bell
	B 1	Bass Drum 2 (Acoust)
	C 2	Bass Drum 1 (Rock)
	C# 2	Side Stick
	D 2	Snare Drum 1
	D# 2	Hand Clap
	E 2	Snare Drum 2
	F 2	Low Floor Tom
	F# 2	Closed Hi Hat (EXC 1)
	G 2	Hi Floor Tom
	G# 2	Pedal Hi Hat (EXC 1)
	A 2	Low Tom
	A# 2	Open Hi Hat (EXC 1)
	B 2	Low-Mid Tom
	C 3	Hi Mid Tom
	C# 3	Crash Cymbal 1
	D 3	High Tom
	D# 3	Ride Cymbal 1
	E 3	Chines Cymbal
	F 3	Ride Bell
	F# 3	Tambuourine
	G 3	Splash Cymbal
	G# 3	Cowbell
	A 3	Crash Cymbal 2
	A# 3	Vibraslap
	B 3	Ride Cymbal 2
	C 4	Hi Bongo
	C# 4	Lo Bongo
	D 4	Mute Hi Conga
	D# 4	Open Hi Conga
	E 4	Low Conga
	F 4	Hi Timbal
	F# 4	Low Timbal
	G 4	High Agogo
	G# 4	Low Agogo
	A 4	Cabasa
	A# 4	Maracas
	B 4	Short Whistle (EXC 2)
	C 5	Low Whistle (EXC 2)
	C# 5	Short Guiro (EXC 3)
	D 5	Long Guiro (EXC 3)
	D# 5	Claves
	E 5	Hi Wood Block
	F 5	Low Wood Block
	F# 5	Mute Cuica (EXC 4)
	G 5	Open Cuica (EXC 4)
	G# 5	Mute Triangle (EXC 5)
	A 5	Open Triangle (EXC 5)
	A# 5	Shaker
	B 5	Jingle Bell
	C 6	Belltree
	C# 6	Castanets
	D 6	Mute Surdo (ESC 6)
	D# 6	Open Surdo (ESC 6)
	E 6	
	F 6	
	F# 6	
	G 6	
	G# 6	
	A 6	
	A# 6	
	B 6	
	C 7	
	C# 7	
	D 7	
	D# 7	
	E 7	
	F 7	
	F# 7	
	G 7	
	G# 7	
	A 7	
	A# 7	
	B 7	
	C 8	

Chapter 15 Demo Song List

1	BWV 846	Prelude and Fugue No.1 in C Major	J.S.Bach
2	BWV 775	Invention NO.4 in D minor	J.S.Bach
3	BWV779	Invention NO.8 in F Major	J.S.Bach
4	BWV 847	Prelude and Fugue in C minor	J.S.Bach
5	BWV 988	ARIA Goldenberg-Variations	J.S.Bach
6	BWV 847	Prelude and Fugue in C minor	J.S.Bach
7	Op.36,No4	Sonatina in F Major	M.Clementi
8	K 15v	Movement for a Sonata in F Major	W.A. Mozart
9	K 333	Piano Sonata No.13 in B flat Major 1st mov.	W.A. Mozart
10	K 485	Rondo No.1 in D Major	W.A. Mozart
11	K 331	Sonata No.11 in A Major 3rd mov.	W.A. Mozart
12	K 545	Piano Sonate in C Major 1st mov.	W.A. Mozart
13	WoO10,No2	Minuet in G Major	L.v. Beethoven
14	WoO59,No25	Bagatelle in A minor (Für Elise)	L.v. Beethoven
15	Op.55,No1	Sonatina in C Major	Fr.Kuhlau
16	Op.51,No1	March Militaire	F.P.Schubert
17	Op.94,No3	Moment Musical in F minor	F.P.Schubert
18	Op.90,No2	Impromptu in E flat Major	F.P.Schubert
19	Op.90,No4	Impromptu in A flat Major	F.P.Schubert
20	Op.100,No25	La Chevaleresque	J.F.Burgmüller
21	Op.38,No2	Song without word in C minor (Lost Happiness)	J.L.F. Mendelssohn
22	Op.30,No6	Song without word in F sharp minor	J.L.F. Mendelssohn
23	KK Ivb No10	Waltz in E flat Major	F.F.Chopin
24	KK Ivb No11	Waltz in A minor	F.F.Chopin
25	Op.7,No1	Mazurkas in B flat Major	F.F.Chopin
26	Op.69,No2	Waltz in B minor	F.F.Chopin
27	Op.18	Waltz in E flat Major	F.F.Chopin
28	Op.64,No2	Waltz in C sharp minor	F.F.Chopin
29	Op.9,No2	Nocturne in E flat Major	F.F.Chopin
30	Op.64 No1	Waltz in D flat Major	F.F.Chopin
31	Op.28,No15	Preludes in D flat Major	F.F.Chopin
32	Op.66	Fantaisie-Impromptu in C sharp minor	F.F.Chopin
33	Op.15,No7	Kinderszenen in F Major (Träumerei)	R. Schumann
34	Op.68,No10	Album für die Jugend (The Happy Farmer)	R. Schumann
35	Op.15,No1	Kinderszenen G Major	R. Schumann
36	S.541,No3	Liebestraum	F. Liszt
37	Op.202,No4	Dolly's Dreaming and Awakening	T. Oesten
38	Op.410	Frühlingsstimmen (Voices of Spring Waltz)	J. Strauss
39		The Swan (Canival of the Animal)	Saint-Saens
40	Op.39	Blumenlied (Flower song)	G. Lange
41		Valsette in G Major	F. Borowski
42	Op.39,No16	Old French Song from Children's Album	P.I.Tchaikovsky
43	Op.39,No11	Mazurka from Children's Album	P.I.Tchaikovsky
44	Op.39,No10	Polka from Children's Album	P.I.Tchaikovsky
45	Op.37,No6	June from The Season (Barcarolle)	P.I.Tchaikovsky
46	Op101,No7	Humoresque	A. Dvořák
47	Op46,No3	Peer Gynt (Anitra's Dance)	E. Grieg
48	L75,No1	Suite Bergamasque Prelude	C.A.Debussy
49	L68	Rêverie	C.A.Debussy
50	No1	Arabesque I	C.A.Debussy

Chapter 16 Sonatine List

F.KUHLAU	NO
OP.20 NO.1-1	1
OP.20 NO.1-2	2
OP.20 NO.1-3	3
OP.20 NO.2-1	4
OP.20 NO.2-2	5
OP.20 NO.2-3	6
OP.20 NO.3-1	7
OP.20 NO.3-2	8
OP.20 NO.3-3	9
OP.55 NO.1-1	10
OP.55 NO.1-2	11
OP.55 NO.2-1	12
OP.55 NO.2-2	13
OP.55 NO.2-3	14
OP.55 NO.3-1	15
OP.55 NO.3-2	16
M.CLEMENTI	NO
OP.36 NO.1-1	17
OP.36 NO.1-2	18
OP.36 NO.1-3	19
OP.36 NO.2-1	20
OP.36 NO.2-2	21
OP.36 NO.2-3	22
OP.36 NO.3-1	23
OP.36 NO.3-2	24
OP.36 NO.3-3	25
OP.36 NO.4-1	26
OP.36 NO.4-2	27
OP.36 NO.4-3	28
OP.36 NO.5-1	29
OP.36 NO.5-2	30
OP.36 NO.5-3	31
OP.36 NO.6-1	32
OP.36 NO.6-2	33

J.HAYDN	
HOB.16-35 -1	34
HOB.16-35 -2	35
HOB.16-35 -3	36
W.A.MOZART	NO
K.545-1	37
K.545-3	38
K.545-3	39
L.V.BEETHOVEN	NO
OP.49 NO.2-1	40
OP.49 NO.2-2	41
OP.49 NO.1-1	42
OP.49 NO.1-2	43
J.L.DUSSEK	NO
OP.20 NO.1-1	44
OP.20 NO.1-2	45

Chapter 17 GM Sound List

Program Change	General MIDI Sound Name	Program Change	General MIDI Sound Name	Program Change	General MIDI Sound Name	Program Change	General MIDI Sound Name
1	Grand Piano1	33	Acoustic Bass	65	Soprano Sax	97	Ice Rain
2	Grand Piano2	34	Fingered Bass	66	Alto Sax	98	Soundtrack
3	Electric Grand	35	Picked Bass	67	Tenor Sax	99	Crystal
4	Honky Tonk	36	Fretless Bass	68	Baritone Sax	100	Atmosphone
5	Electric Piano1	37	Slap Bass1	69	Oboe	101	Brightness
6	Electric Piano2	38	Slap Bass2	70	English Horn	102	Goblin
7	Harpicord	39	Synth Bass1	71	Bassoon	103	Echo Drops
8	Clavinet	40	Synth Bass2	72	Clarinet	104	Star Theme
9	Celesta	41	Violin	73	Piccolo	105	Sitar
10	Glockenspiel	42	Viola	74	Flute	106	Banjo
11	Music Box	43	Cello	75	Recorder	107	Shamisen
12	Vibraphone	44	Contrabass	76	Pan Flute	108	Koto
13	Marimba	45	Treomlo Strings	77	Bottle Chiff	109	Kalimba
14	Xylophone	46	Pizzicato Strings	78	Shakuhachi	110	Bag Pipe
15	Tubular Bells	47	Harp	79	Whistle	111	Fiddle
16	Santur	48	Timpani	80	Ocarina	112	Shanai
17	Organ1	49	Strings	81	Square Wave	113	Tinkle Bell
18	Organ2	50	Slow Strings1	82	Saw Wave	114	Agogo
19	Organ3	51	Synth Strings1	83	Syn. Calliope	115	Steel Drums
20	Church Organ	52	Synth Strings2	84	Chiffer Lead	116	Woodblocks
21	Reed Organ	53	Choir Aahs	85	Charang	117	Taiko
22	Accordion	54	Voice Doo's	86	Solo Vox	118	Melo Tom1
23	Harmonica	55	Synth Vox	87	5th Saw Wave	119	Synth Drum
24	Bandoneon	56	Orchestra Hit	88	Bass & Lead	120	Reverse Cym
25	Nylon String Gtr	57	Trumpet	89	Fantasia	121	Gtr Fret Noise
26	Steel String Gtr	58	Trombone	90	Warm Pad	122	Breath Noise
27	Jazz Gtr	59	Tuba	91	Polysynth	123	Seashore
28	Clean Gtr	60	Muted Trumpet	92	Space Voice	124	Bird
29	Muted Gtr	61	French Horn	93	Bowed Glass	125	Telephone
30	Overdrive Gtr	62	Brass1	94	Metal Pad	126	Helicopter
31	Distortion Gtr	63	Synth Brass1	95	Halo Pad	127	Applause
32	Gtr Harmonics	64	Synth Brass2	96	Sweep Pad	128	Gunshot

Chapter 18 **Specification**

Keyboard	88-Note Graded hammer-action wood keyboard with 3-point velocity sensor
Exterior Color	Rosewood / White
Appearance	Pattern type
Voice Type	Stereo PCM
Polyphony	256 Polyphony
Voice	30 Voices + GM 128 Voices
Rhythm	20 Styles, 6 Metronomes
Play Mode	Layer, Split, Duo
Keyboard Touch	10 Steps
Song Learning	Beyer, Czerny 30, 40, 100, Sonatine, Hanon, Brugmuller
Demo Songs	50 Piano masterpieces
Recording	1 Track, 20000 Notes
Pedals	3 pedals (Soft, Sostenuto, Sustain)
Display	5 x 7 Dot Matrix
Additional Function	Master Volume, Tune, Transpose, Metronome, Auto Power OFF
Connection	Headphone x2, Audio IN/OUT, SMART I/O, USB MIDI/Audio, Bluetooth Audio, Mic Input
Audio Power	Woofer 25W X 2, Tweeter 10W X 2
Power Consumption	60W
Speaker	5 x7 Inches Woofer x 2, 2 Inches Tweeter x 2
Weight	123.5lb. / 56kg
Power	110-240V free voltage external power supply (24VDC, 2.5A)
Dimensions	1400 x 432 x 850 (W x D x H)

<https://kurzweil.com/>
<https://www.instagram.com/kurzweilmusic/>
<https://www.youtube.com/user/KurzweilTutorials>
<https://www.facebook.com/kurzweilmusicsystems/>

KURZWEIL®

HDC YOUNG CHANG

196, Bongsu-daero, Seo-gu,
Tel : +08-32-570-1000
Fax : +08-32-576-2340

HDC Youngchang
Homepage



www.hdc-youngchang.com

KURZWEIL
Homepage



kurzweil.com