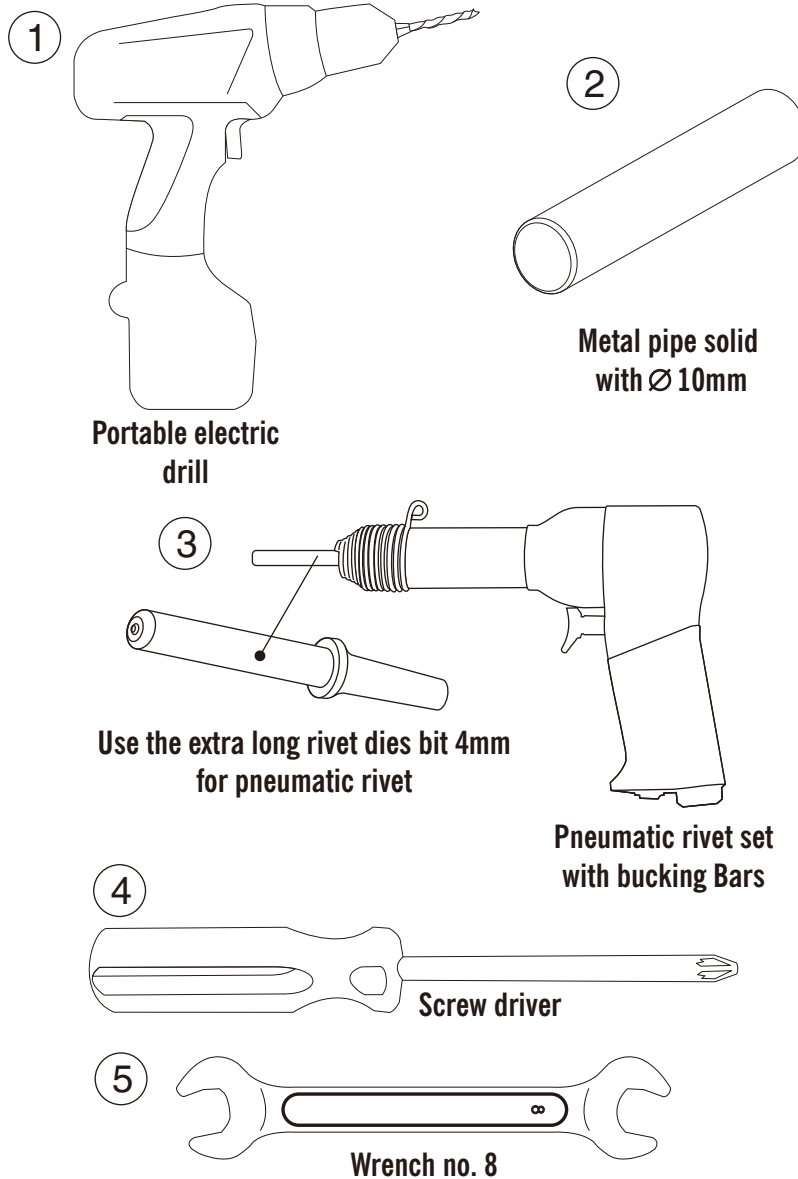
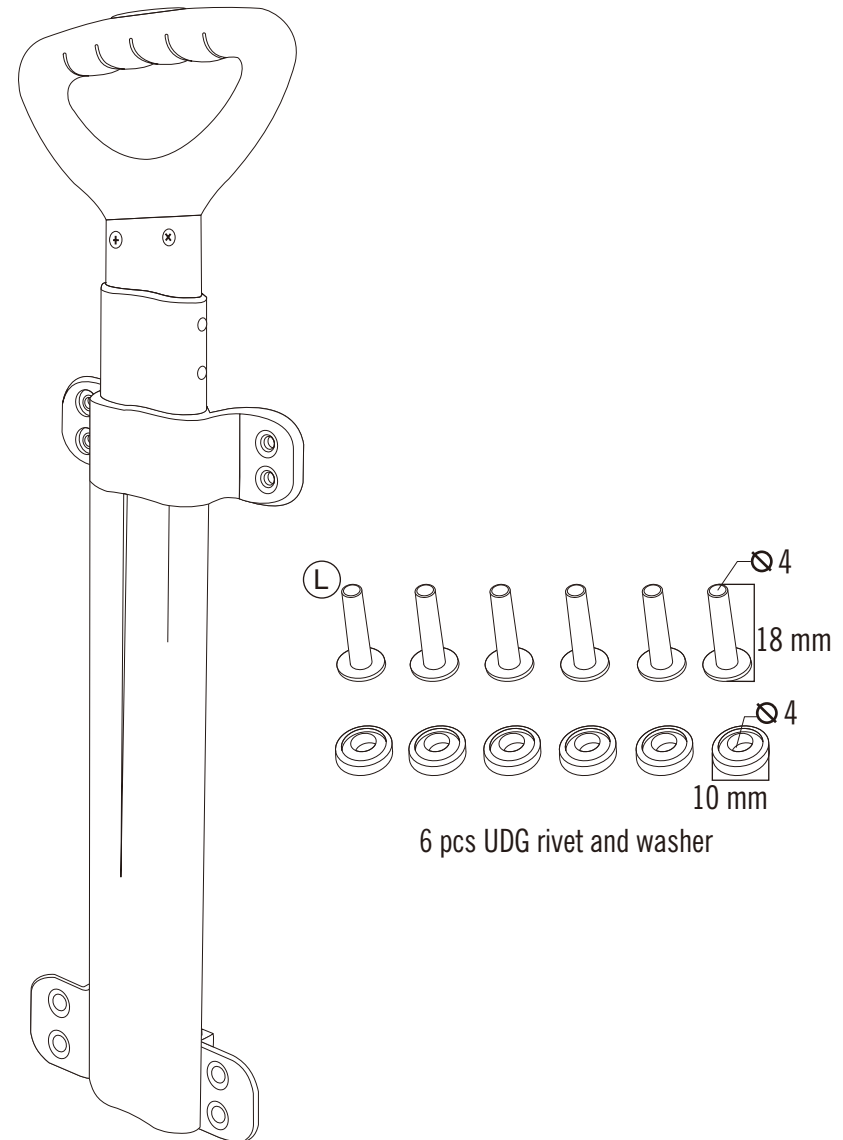


## Tools required



## Parts details



1 set package spare part UDG Frame Trolley + 6 pcs rivet and washer

**Drill the rivet A B using tool ①**

**Remove the screw C D and C D bolt anticlockwise with tool ④ ⑤**

**Put 4 pcs rivet through inside the bag A B C D at the bottom rear outside on the bag on frame holder.**

**Put 4 pcs washer through to rivet A B C D at the bottom inside on the bag on frame holder**

**Put 2 pcs E F rivet through outside the bag and 2 pcs E F washer at the top on frame inside the bag on frame holder**

**Hold on each rivet outside the bag using tool ② on bottom outside the bag**

**Punch on each rivet inside the bag using tool ③ make it secure and tight**

**make it secure and tight**  
Hold on each rivet outside the bag using tool ② and punch on each rivet inside the bag using tool ③ make it secure and tight