

应用范围 Application

- ▶ 多功能厅、宴会厅、商务会议、酒吧、辅助、舞台返送、侧返送、台唇补声
- ▶ Multi-function Hall, Banquet Hall, Meeting room, Rock Bar, Stage Monitor, Side monitor.



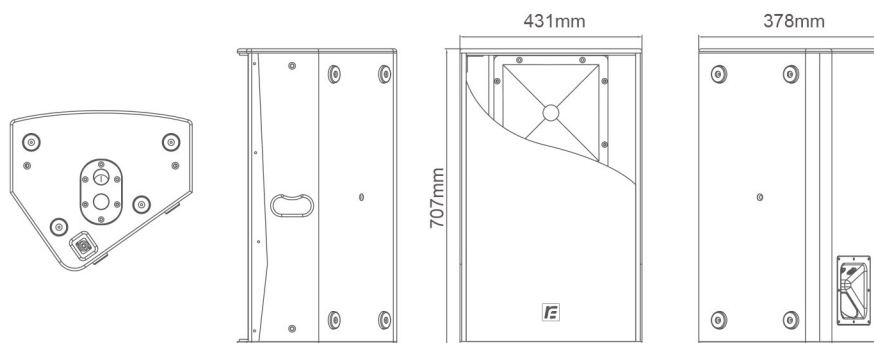
产品特性 Features

▶ TX系列音箱是一款全新设计的高清晰度多功能音箱，同时推出了五个规格全频音箱，包含6寸、8寸、10寸、12寸、15寸全频，赋予了扩声系统更多选择，以满足“多场合、多用途”的应用特点。高端版本配置了进口高音和进口纸盆低音单元，让它具备能将声音细节高度还原，声音听感厚实贴脸，可作为主扩或辅助使用（根据现场使用需求号角旋转90度），也可作为舞台返听（可选近场或远场覆盖角度摆放）；同时，箱体各面都设计有隐藏吊点，8至15寸箱体配备支撑底托，可满足吊挂、壁挂、支撑使用；桦木复合板制作，聚脲喷涂工艺，让箱体更结实耐磨和防撞。

▶ TX series speakers are a newly designed high-definition multifunctional speakers, and has 6-inch, 8-inch, 10-inch, 12-inch, 15-inch for selection, offer more options to meet "multi-occasion, multi-purpose". The high-end version is equipped with the imported treble and bass unit, so it has the ability to highly restore sound details, the sound hearing feeling is thick and close to the face, can be used as the main expansion or auxiliary use (90 degrees rotation according to the demand of the field), but also can be used as the stage monitor (optional near field or far field coverage angle); at the same time, each side of the box is designed with hidden hanging points, and the 8 to 15 inch box is equipped with support base support to meet the hanging. Hanging, wall hanging and supporting; Manufacture of birch-wood, polyurea coating, makes the box stronger, wear-resistant and anti-collision.



产品尺寸 Product dimension



参数规格 Specifications

系统类型	单15寸二分频全频音箱 (高端)	System type	Single 15"Two-Way Full-Range Loudspeaker(High-end)
灵敏度(1W/1m)	99dB	Sensitivity(1W/1m)	99dB
频率响应	55Hz~19kHz (±3dB) /45Hz~20kHz (-10dB)	Frequency response	55Hz~19kHz (±3dB) /45Hz~20kHz (-10dB)
额定功率(AES)	550W	Power rating(AES)	550W
最大声压级(连续/峰值)	126dB/132dB	SPL(continue/peak)	126dB/132dB
标称覆盖角(H×V)	80°×50°(可旋转,玻璃钢号筒)	Dispersion(H×V)	80°×50°(Rotatable fiberglass horn)
标称阻抗	8Ω	Nominal Impedance	8Ω
低音单元	15寸75芯铝盆铁磁单元	LF	15"75 core, Aluminium Basket Ferriet Magnet with aluminum basket
高音单元	3寸(1.5寸喉口)压缩驱动器(75mm音圈)	HF	3"(1.5"throat)compression driver(75mm voice coil)
连接件	3×NEUTRIK NL4MP四芯插座, 1+1-	Connectors	3×NEUTRIK NL4MP 4 pin socket, 1+ 1-
吊挂硬件	M8吊点×11、35mm双孔底托	Fittings	11×M8 flying point, 35mm double pole-mount socket
尺寸(H×W×D)	707×431×378mm	Dimension(H×W×D)	707×431×378mm
重量	31kg	Weight	31kg

