

# Assembling the F107



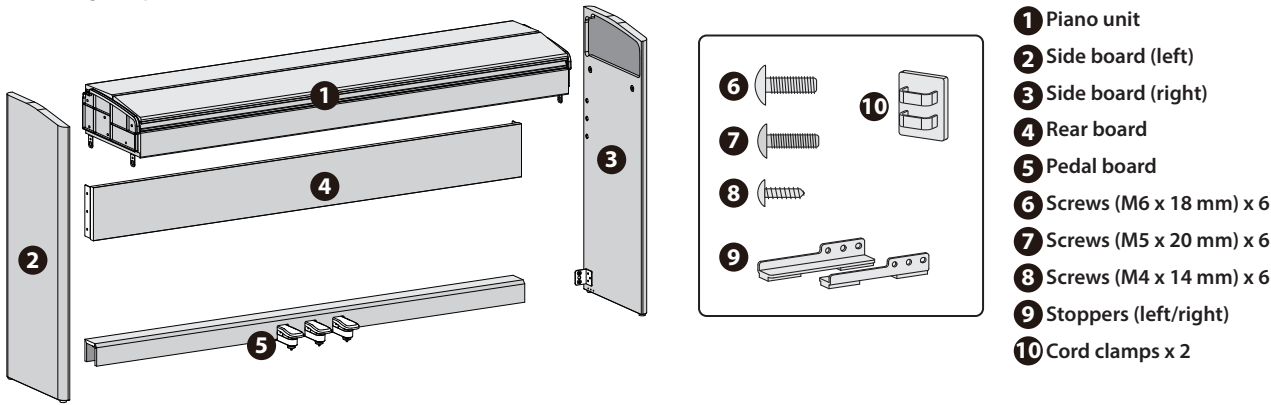
Read this manual thoroughly before assembly, to ensure proper assembly of this instrument. This manual should be saved and kept in a place for quick reference.

## Precautions when assembling

- Make sure to get at least one other person to help during assembly.
- Lift the piano carefully while keeping it level.
- Be sure that there is plenty of space to safely assemble this instrument.
- If necessary, spread out a blanket or similar material to prevent the stand or floor from being scratched during assembly.
- Place the unit in a flat and stable location. The instrument must never be placed on top of deep-pile carpet. Failure to observe this may damage the pedals due to instability and unnecessary movement.
- Make sure to keep screws and any other small parts in a safe location that is out of the reach of small children, where there is no risk of the part being accidentally swallowed.
- Use sufficient care when assembling or moving the stand to avoid getting your fingers pinched or dropping the unit on your feet.
- Do not use a power tool (e.g., an electric screwdriver) to assemble this instrument. Doing so may damage the screws.
- All screws should be temporarily tightened first, then fully tightened later. To tighten a screw temporarily, screw it in until about half of its length is no longer visible.
- To successfully assemble the unit, compensate for any misalignment while you tighten the screws.
- Be careful that the pedal cord does not get pinched during assembly.
- Do not place the piano unit directly on the floor. Doing so could damage the connectors and holders on the bottom of the piano.



## Checking the parts



1. Remove the side board box and take out the left and right side boards **2** **3** and the packing cushions.
2. Place the packing cushions on the floor as shown in the illustration.
3. Remove the piano **1** and place it on top of the packing cushion.

\* Stand the piano on top of the packing cushions, leaving the protective mat on that's wrapped around the piano.

4. Remove the protective mat that's wrapped around the piano, and open it up as shown in the illustration.

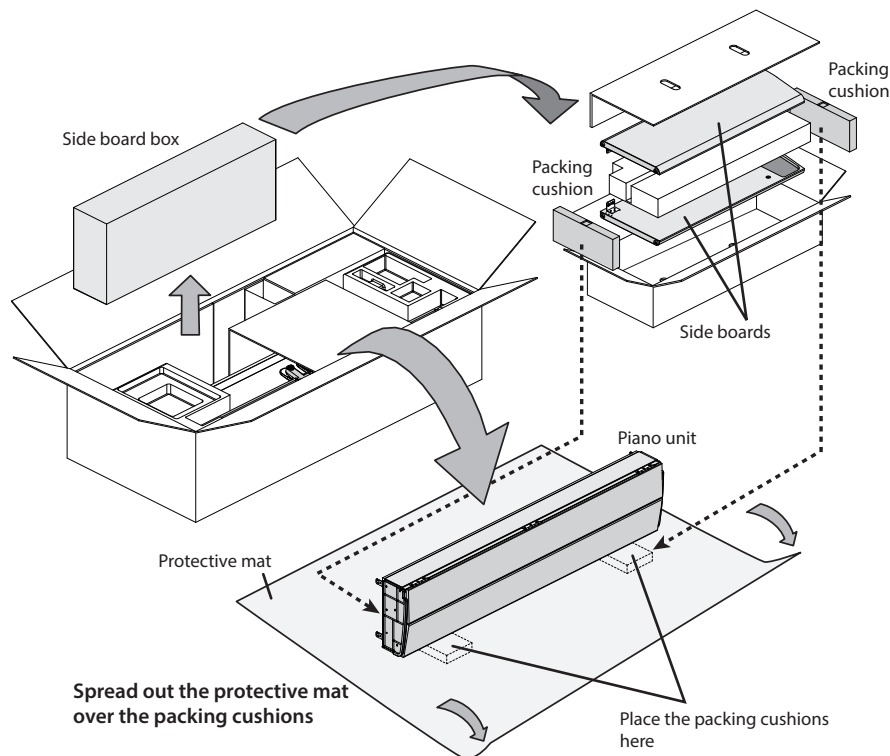
\* Do not remove the protective sheet that's wrapped around the piano until you've connected the pedal cord (step 10). The cover may open during assembly, which could be dangerous.

\* Do not hold the cover when you lift up this instrument.

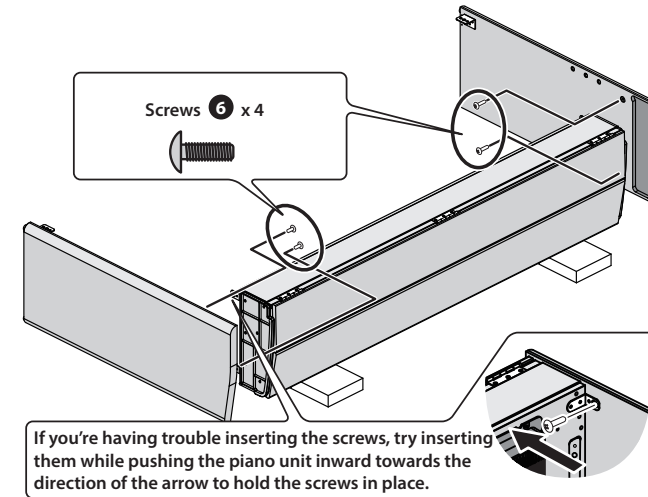
## Points to observe when temporarily tightening the screws

### NOTE

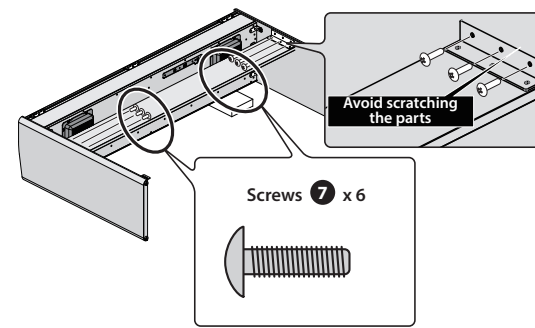
- For steps 5, 6 and 8, the screws should only be tightened temporarily—do not screw them in all the way. Tighten each screw all the way to lock them in place in step 9. If you tighten the screws all the way during the steps when they should only be temporarily tightened, the parts may become misaligned, making assembly impossible.
- Only tighten the screws by hand when temporarily tightening them. If you don't tighten them by hand, the screw threads might be stripped, making assembly impossible.



5. Attach the right **3** and left **2** side boards onto the piano, and temporarily fasten them with the screws **6**.

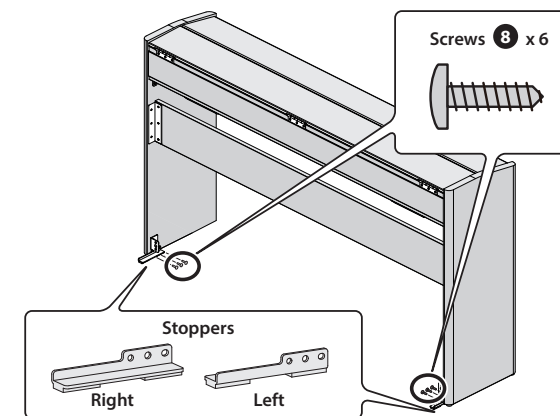


6. Attach the rear board **4** to the side boards, and temporarily fasten with the screws **7**.

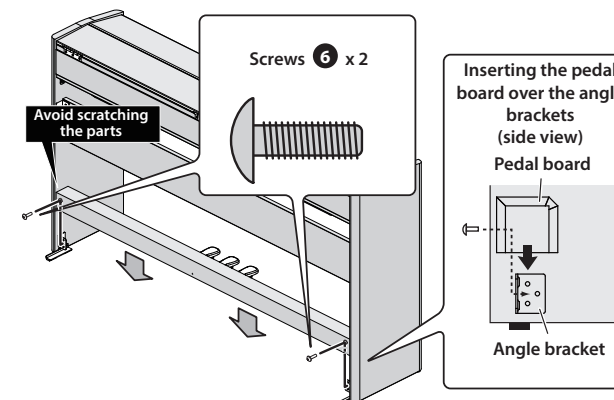


7. Stand the piano up, and attach the stoppers on the side boards to prevent the instrument from toppling over.

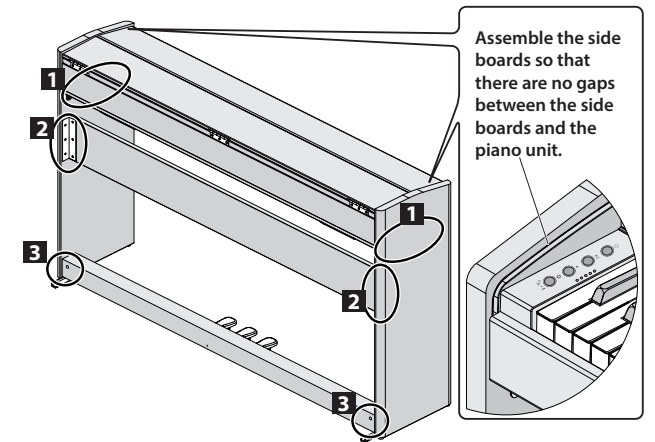
\* Fully attach the stoppers as shown here.



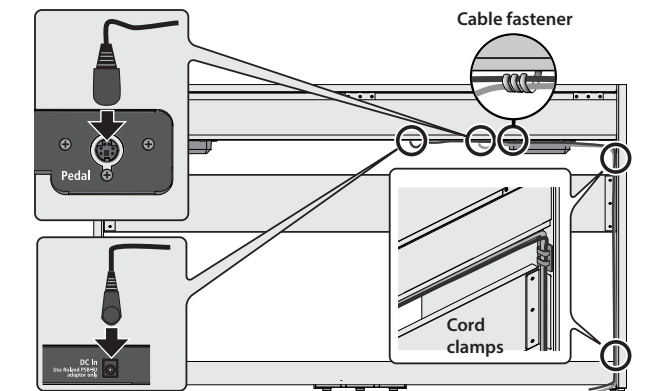
8. Attach the pedal board **5** and temporarily fasten with the screws **6**.



9. Tighten the screws (a total of 12) to stabilize each component in order, starting with the side boards and then the rear board, and finally the pedal board.



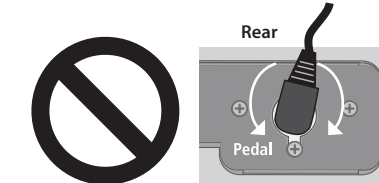
10. Connect the AC adaptor to the DC In jack on the back of the piano, and connect the pedal cord to the Pedal jack. Affix the cable fastener (1) to the bottom of the piano unit and affix the cord clamps (2) onto the side boards, to keep the pedal cord and the AC adaptor cord in place.



### NOTE

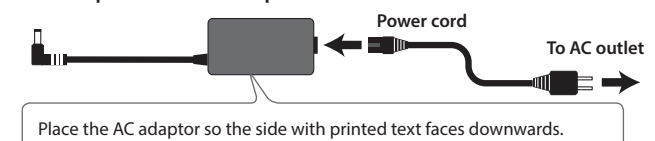
The pedal cord plug may be damaged if you rotate it while the plug is only halfway inserted.

Check the illustration above to make sure that the plug faces correctly before you insert it.



Do not rotate while plug is inserted!

11. Connect the AC adaptor and power cord to the instrument, and plug the power cord into a power outlet.



## When moving or transporting

Before moving this instrument, close the keyboard cover and unplug the AC adaptor. When moving the unit, at least two people should work together and lift the unit carefully, all the while keeping it level and being very careful so as not to pinch their hands or drop the unit on their feet.