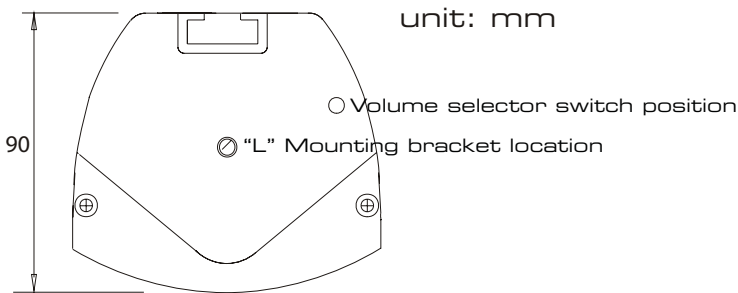


METAL COLUMN LOUDSPEAKERS

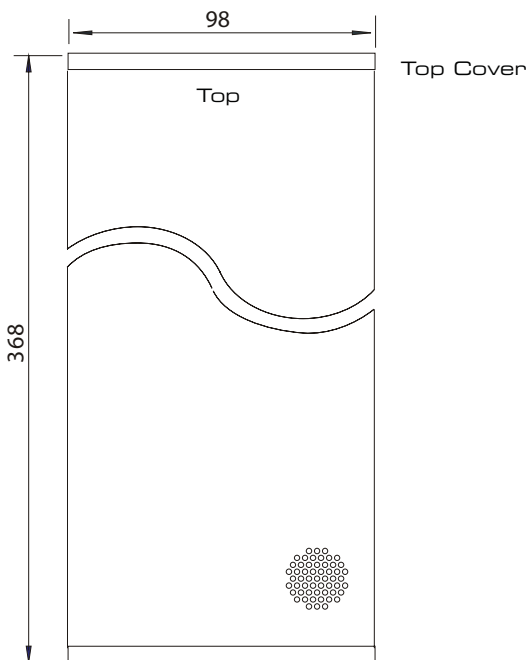
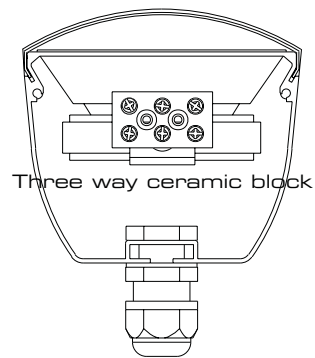
MCS20/TC



INSTALLATION INSTRUCTIONS

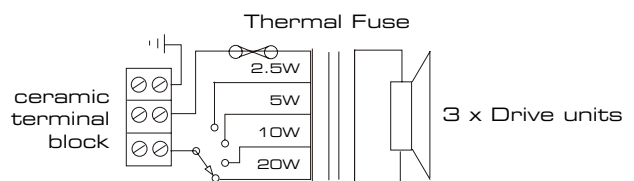


Top View of Column Loudspeaker with lid off



Front View

MCS20/TC Circuit diagram 100V Common



STEP 1

Remove the top cover of the unit (cable gland end) and connect the 100 volt line input cable into the ceramic terminal block through the cable gland provided.

STEP 2

On removing the top cover of the loudspeaker you will observe a three way terminal block that is connected to the 100 volt line transformer, as this unit is provided with a selector switch located at the base of the column, insert the 100 volt line cable using the red wire to the red and black to black cable connections.



Penton UK Ltd

Unit 2 Teville Industrials | Dominion Way | Worthing | West Sussex | BN14 8NW

T: +44 (0)1903 215315 | F: +44(0)1903 215415 | E: sales@pentonuk.co.uk

www.pentonuk.co.uk

NOVEMBER 2011



RoHS



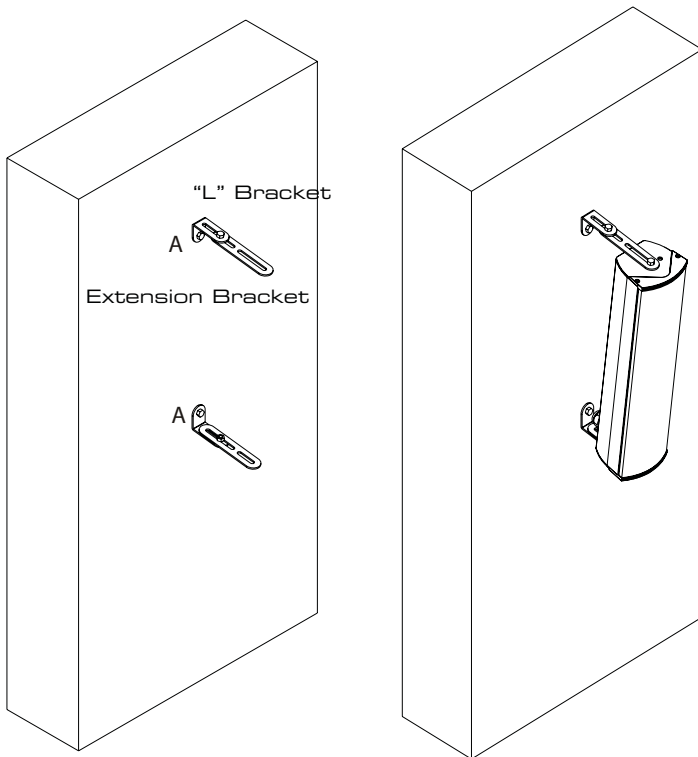
METAL COLUMN LOUDSPEAKERS

➤ MCS20/TC



INSTALLATION INSTRUCTIONS

Mounting diagram:
Brackets and column



➤ STEP 3

On terminating the wiring secure the cable gland tight into the rear of the loudspeaker chamber.

➤ STEP 4

Around the top lid you will observe a rubber gasket please make sure that it is in place when relocating the lid to the loudspeaker chamber to maintain its weather resistance.

➤ STEP 5

Drill the mounting location holes for the unit in a vertical plane (position "A" drawing below). Drill the outer bracket holes 349 mm apart and the inner set 250 mm apart.

➤ STEP 6

Mount the speaker in the required location as specified by an acoustic engineer.

➤ STEP 7

You may require tilting or distancing the column from the mounting surface this can be done by extending the "L" bracket with the supplied extension bracket in the hardware kit.

Items to be found in the hardware kit:

Qty 2 "L" brackets

Qty 2 x extension brackets

Qty 4 x 10mm long hex head bolts (used to mount "L" brackets)

Qty 2 x 20mm long hex head bolts (used to mount extension brackets onto "L" brackets)

Qty 6 x washers (used with hex bolts above)

➤ STEP 8

Before putting 100 volts through the unit it is advisable to check the impedance of circuit.

A swivel mounting bracket is available for this unit see Penton accessories.



Penton UK Ltd

Unit 2 Teville Industrials | Dominion Way | Worthing | West Sussex | BN14 8NW
T: +44 (0)1903 215315 | F: +44(0)1903 215415 | E: sales@pentonuk.co.uk

www.pentonuk.co.uk

NOVEMBER 2011



RoHS

