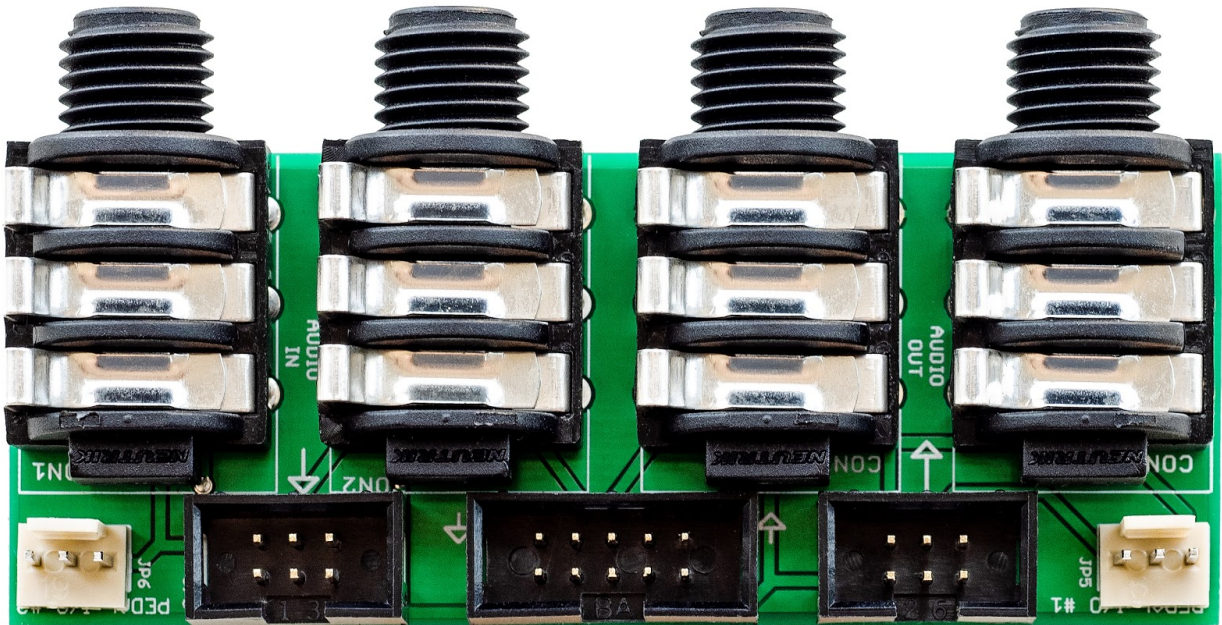


Audio Jacks Board

Bi-Directional Audio Board with Four TRS Jacks for 7U Cases



Manual Revision: 2019.04.28

Table of Contents

[Table of Contents](#)

[Overview](#)

[Connecting an Audio I/O 1U](#)

[Connecting Mixup Modules](#)

[Connecting Pedal I/O 1U Modules](#)

[Connecting Stereo Line Out 1U Modules](#)

[Connecting Stereo Line In 1U Modules](#)

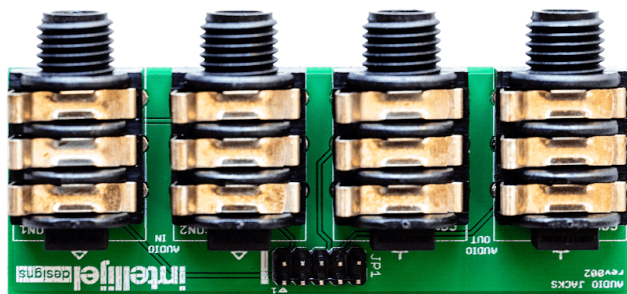
[Connecting Multiple Types of Modules](#)

[Replacing The Audio Board in a 7U Case](#)

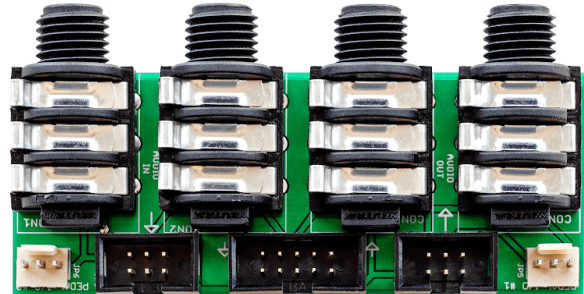
Overview

The new, 2nd generation Audio Jacks Board comes pre-installed in every Intellijel 7U case manufactured since early 2019. Because this board is more fully featured than the previous generation, it's available as a stand-alone component for anyone who wishes to update an older 7U case.

You can tell which board you have by looking at the connectors. The new Audio Jacks Board has a large shrouded header flanked by two smaller shrouded headers, flanked by two link connectors at either end. Older boards have only one connector along the bottom edge.



1st GENERATION AUDIO JACKS



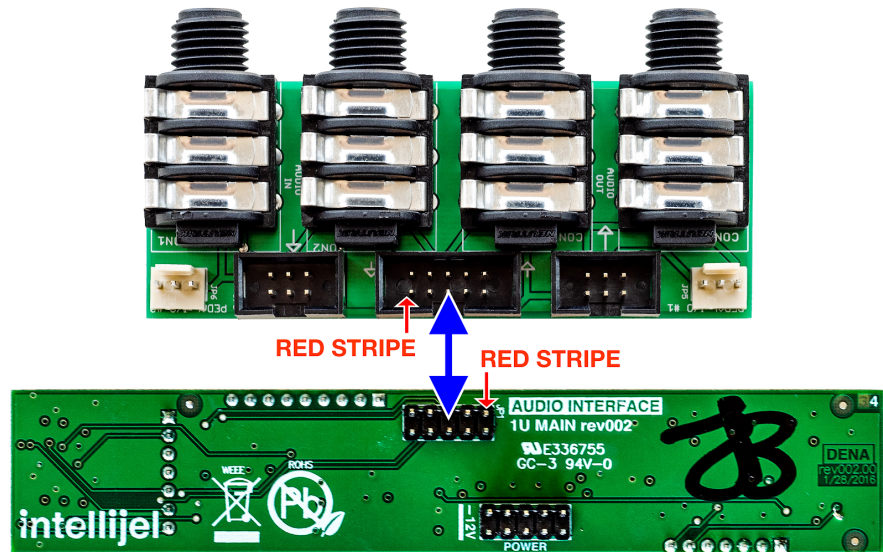
2nd GENERATION AUDIO JACKS

The board holds four Neutrik TRS jacks, each of which can be configured as either an input or an output depending on the modules you connect. This allows you maximum flexibility when configuring your case — whether you wish to use the audio jacks as outputs, inputs, sends & returns; or some combination of these.

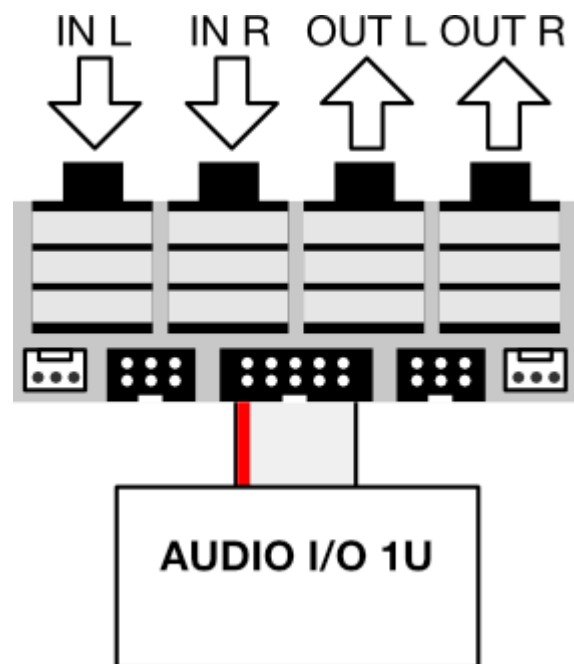
The jacks carry different audio signals depending on what you connect to the Audio Jacks Board. The following sections discuss many of the options available.

Connecting an Audio I/O 1U

Connect an *Audio I/O 1U* module to the large shrouded header, using the ribbon cable provided with the *Audio I/O* module. The connector is keyed, so that it fits only one way. Make sure (particularly if you're using a ribbon cable from another supplier) that the red stripe is oriented as shown in this illustration.



When connected in this manner, the two leftmost jacks are used for inputting external audio into your eurorack system, while the two rightmost jacks are for sending audio out of your system. When using the *Audio I/O 1U* module, all four jacks are balanced.

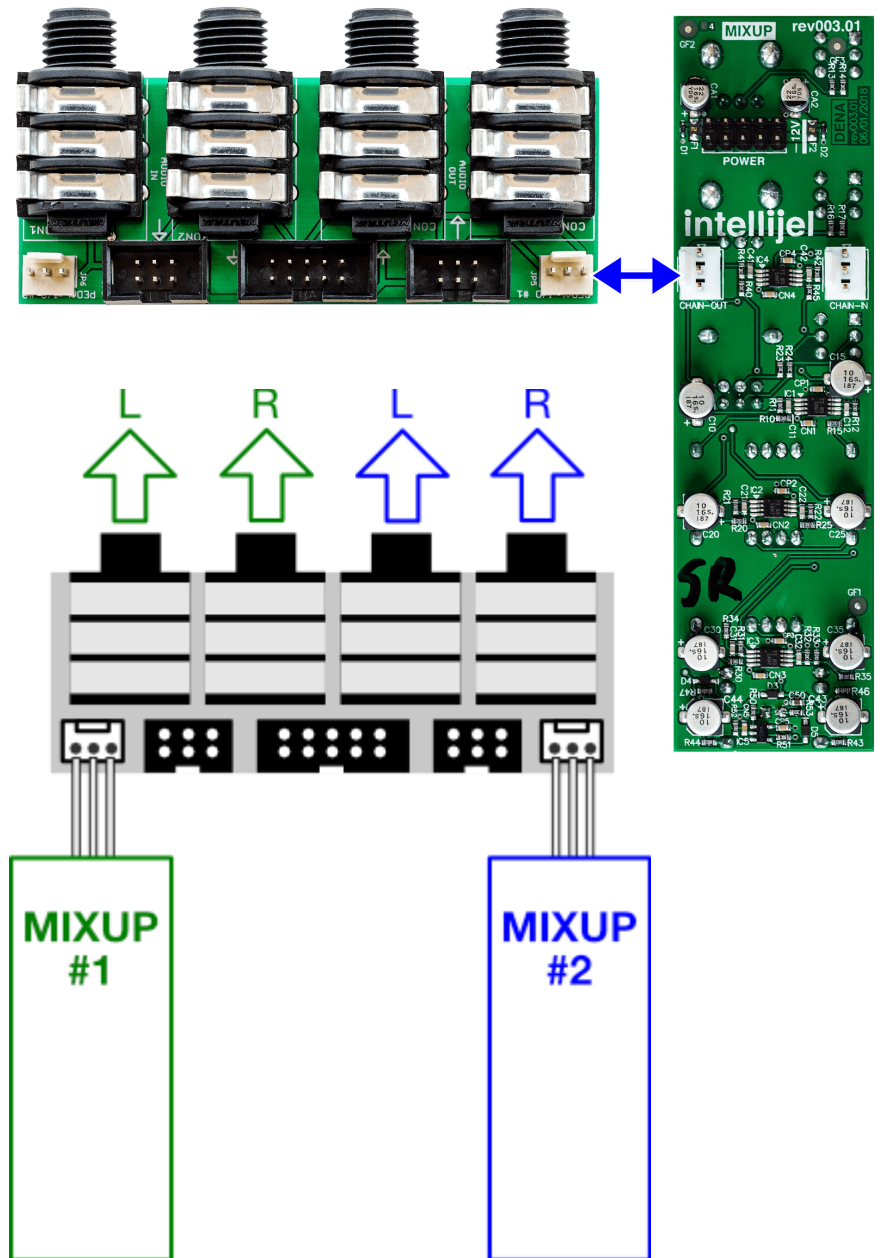


Connecting Mixup Modules

You can connect up to two *Mixup* to the Audio Jacks Board.

Use the 3-wire link cable provided with each *Mixup* to connect *Mixup*'s CHAIN-OUT connector to either of the two 3-pin connectors on the Audio Jacks Board. The left connector uses the two left jacks for L/R Stereo outputs, while the right connector uses the two right jacks.

In this scenario, the audio jacks work as unbalanced outputs.

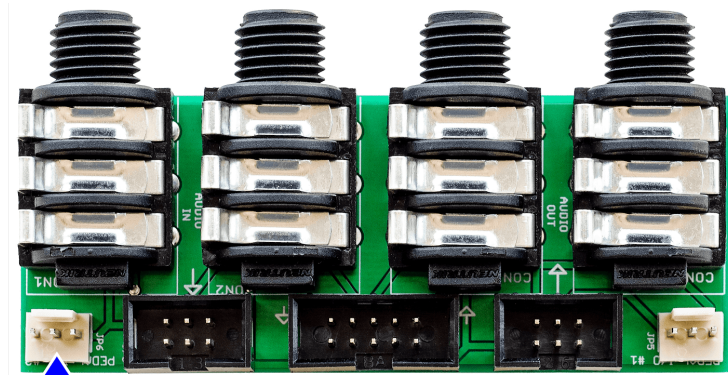


Similarly, you can connect a *Mixup*'s CHAIN-IN connector to either of the two 3-pin connectors on the Audio Jacks board and feed external audio from the corresponding jacks into the *Mixup* bus.

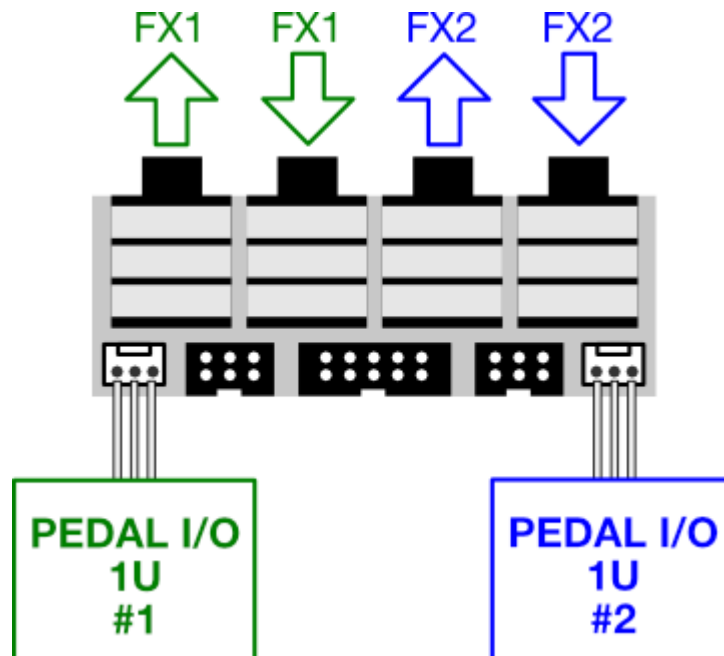
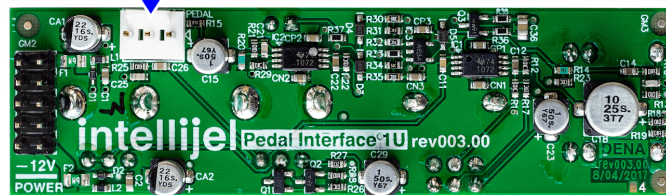
Connecting Pedal I/O 1U Modules

You can connect up to two *Pedal I/O 1U* modules to the Audio Jacks Board.

Use the 3-wire link cable provided with each *Pedal I/O* to connect the *Pedal I/O*'s 3-pin connector to either of the two 3-pin connectors on the Audio Jacks Board. The left connector uses the two left jacks for FX send & return, while the right connector uses the two right jacks.



In this scenario, the audio jacks are unbalanced.



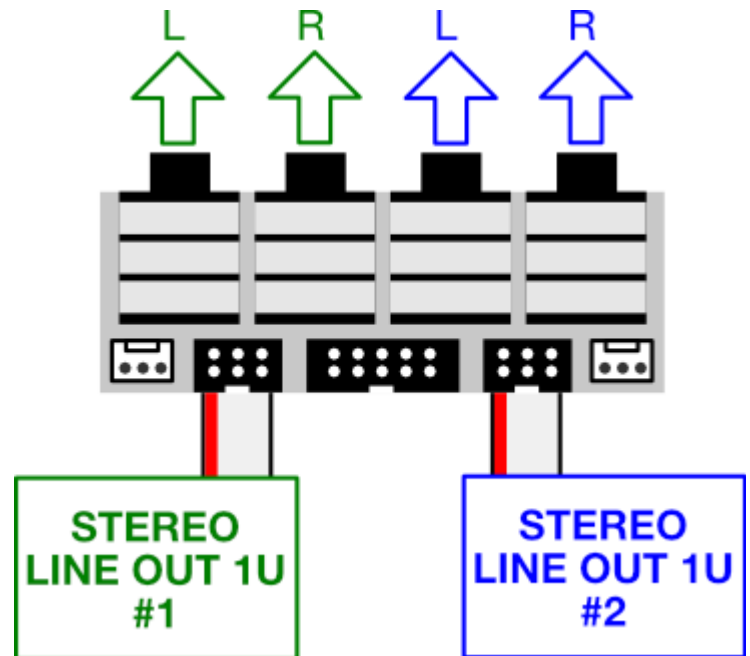
Connecting Stereo Line Out 1U Modules

You can connect up to two *Stereo Line Out 1U* modules to the Audio Jacks Board.

Use the cable provided to connect the *Stereo Line Out 1U* module to either of the two small shrouded headers on the Audio Jacks Board. The connector is keyed, so that it only fits one way.

The left connector uses the two left jacks for L/R Stereo outputs, while the right connector uses the two right jacks.

When using the *Stereo Line Out 1U* module, both output jacks are balanced.



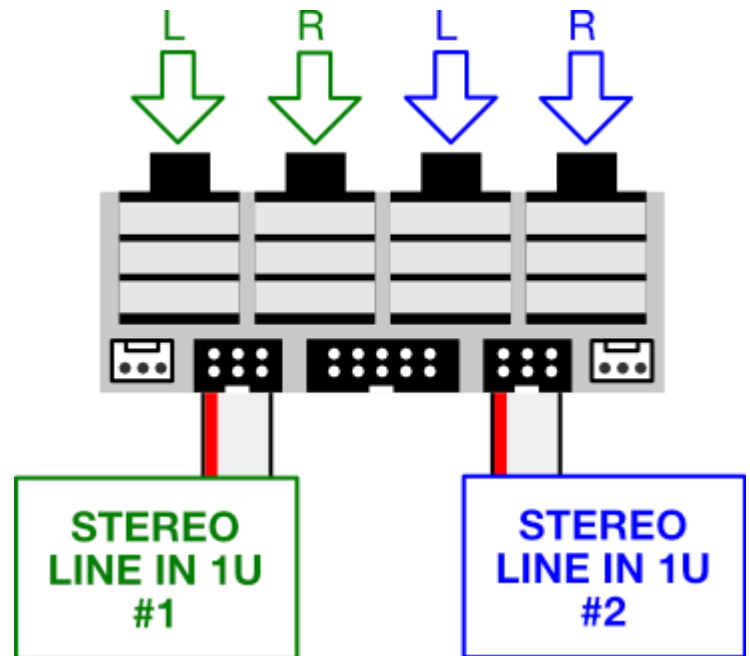
Connecting Stereo Line In 1U Modules

You can connect up to two *Stereo Line In 1U* modules to the Audio Jacks Board.

Use the cable provided to connect the *Stereo Line In* module to either of the two small shrouded headers on the Audio Jacks Board. The connector is keyed, so that it only fits one way.

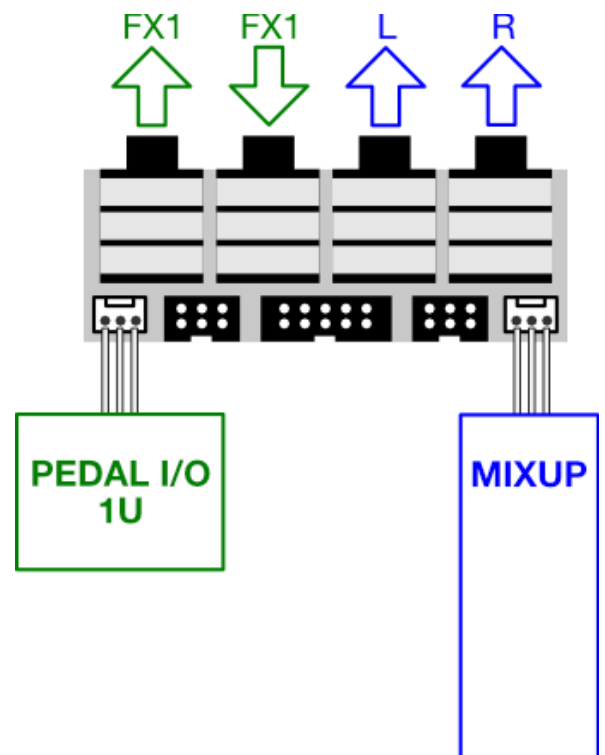
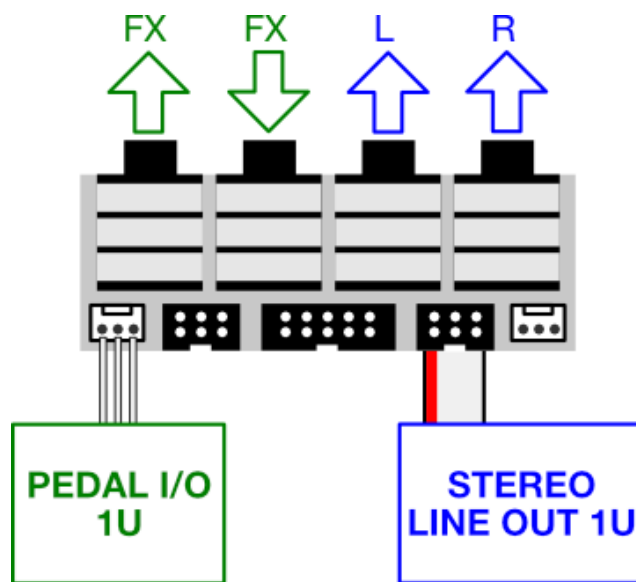
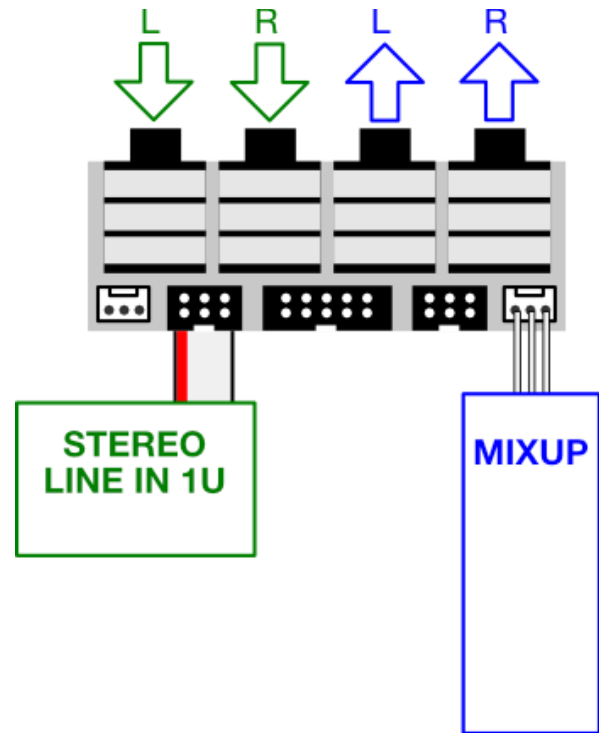
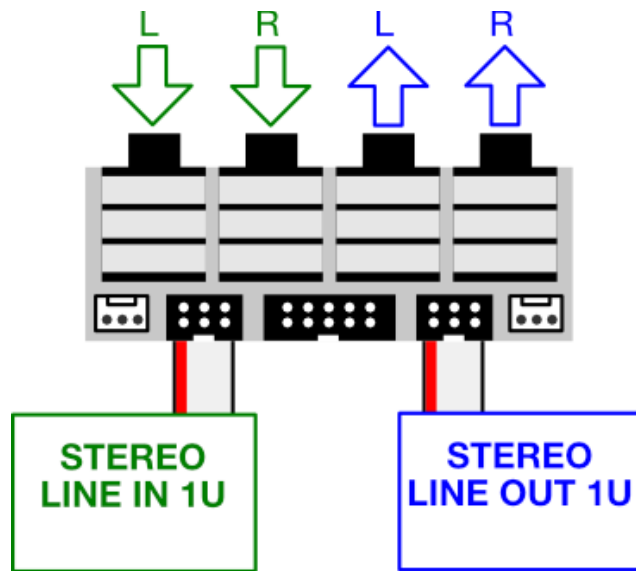
The left connector uses the two left jacks for L/R Stereo inputs, while the right connector uses the two right jacks.

When using the *Stereo Line In 1U* module, both input jacks are balanced.



Connecting Multiple Types of Modules

You can connect various 2-channel modules of different types to the Audio Jacks Board for even more flexibility in your eurorack system design. Here are some examples:



IMPORTANT: Combining the 4-channel *Audio I/O 1U* module with various 2-channel modules is not technically supported since, in this scenario, you would be passively mixing two signals together — each competing for the same pair of jacks. So while it might well work under certain conditions, it's not guaranteed to do so.

In general, if you want to connect one of Intellijel's 2-channel modules (such as a *Mixup*, *Pedal I/O*, *Stereo Line In 1U* or *Stereo Line Out 1U*) to the Audio Jacks Board, it's best to combine it with another 2-channel module rather than trying to use only ½ of the *Audio I/O 1U* module.

Replacing The Audio Board in a 7U Case

Beginning in early 2019, all 7U cases assembled at the factory include the 2nd generation Audio Jacks Board. However, if you have an old 7U case and would like to replace the previous generation audio board with the new Audio Jacks Board, you may purchase one and install it yourself.

To do so:

1. Unscrew the four nuts holding each of the four jacks to the case, and retain them.
2. Carefully pull your old board out of the case.
3. Surrounding each of the jacks is a washer. Slide these off of the jacks and retain them.
4. Put the four washers that you just removed from your old audio board onto each of the four jacks on the new Audio Jacks Board.
5. Insert the new Audio Jacks Board through the four holes in your case. Make sure to orient the board such that the headers face the front of the case.
6. Screw the four nuts onto the four jacks and tighten.
7. Connect your modules to the various headers on the Audio Jacks Board as described earlier in the manual.