

evolution wireless G3

Wireless Microphone Systems

- True Diversity Reception for more reliable RF performance, new Adaptive Diversity for portable systems and in-ear monitor systems
- 3 UHF frequency ranges (A, B, G)
- 42 MHz switching bandwidth for up to 1,680 switchable UHF frequencies per frequency range
- Audio range now extends down to 25 Hz—perfect for bass players!
- Programmable bodypack mute function for AF or RF muting option
- Transmitters and receivers can be wirelessly synchronized via the receiver's infrared interface
- Frequency management function helps find and use more frequencies
- Sound equalizer for precise shaping of the sound
- Soundcheck Mode continuously displays the RF and audio levels
- Increased gain ranges for transmitters and receivers
- Enhanced, intuitive user menus ('User' & 'Advanced' levels)

evolution wireless G3 Sets:

Please refer to the following notes when ordering evolution wireless G3:

A = Frequency range 516 – 558 MHz

B = Frequency range 626 – 668 MHz

G = Frequency range 566 – 608 MHz

ew G3 100 Series LE Sets:

A2 = Frequency range 518 – 554 MHz

B2 = Frequency range 626 – 662 MHz



100 Series G3 Sets

- 20 pre-coordinated frequency banks and 1 user bank with up to 12 compatible frequencies per bank (100 LE Series with up to 6 compatible frequencies per bank)
- 42 MHz switching bandwidth (100 LE sets have 36 MHz)
- Frequency response extends down to 25 Hz to accommodate bass guitars
- Unique guitar cable emulator simulates various lengths of cable to model the capacitance effect of wired cables
- Integrated equalizer allows users to sculpt sound to their liking
- Soundcheck Mode continuously checks the RF and audio levels during the show or presentation
- Audio sensitivity is adjustable within a wider range: 48 dB for the handheld transmitter and the receiver, and 60 dB for the bodypack transmitter



300 Series G3 Sets

- 20 pre-coordinated frequency banks and 6 user banks with up to 24 compatible frequencies per bank
- New Ethernet interface allows system to be remotely monitored and controlled via Sennheiser's 'Wireless Systems Manager' (WSM) software
- Enhanced sync function links the transmitter to the receiver with a push of a button
- Transmitter output power can be reduced from 30 mW to 10 mW to ensure maximum operational reliability in multi-channel applications
- SK 300 G3 includes additional jack to connect the optional remote mute switch (RMS1). The programmable mute functions on 300 series transmitters are: microphone on/off, RF signal on/off, Push-to-Talk, Push-to-Mute and inactive



300 Series G3 Wireless Monitor System

- Wider audio frequency response (25-15,000 Hz) provides artists with an even more precise and life-like monitor signal
- Adaptive Diversity reception allows the earphone cable to function as a second antenna; this prevents dropouts for even more reliable RF reception
- Switchable multi-channel limiter protects artists' hearing from excessive volumes and volume peaks
- Hi Boost function emphasizes the treble range of the earphones when extra clarity is required



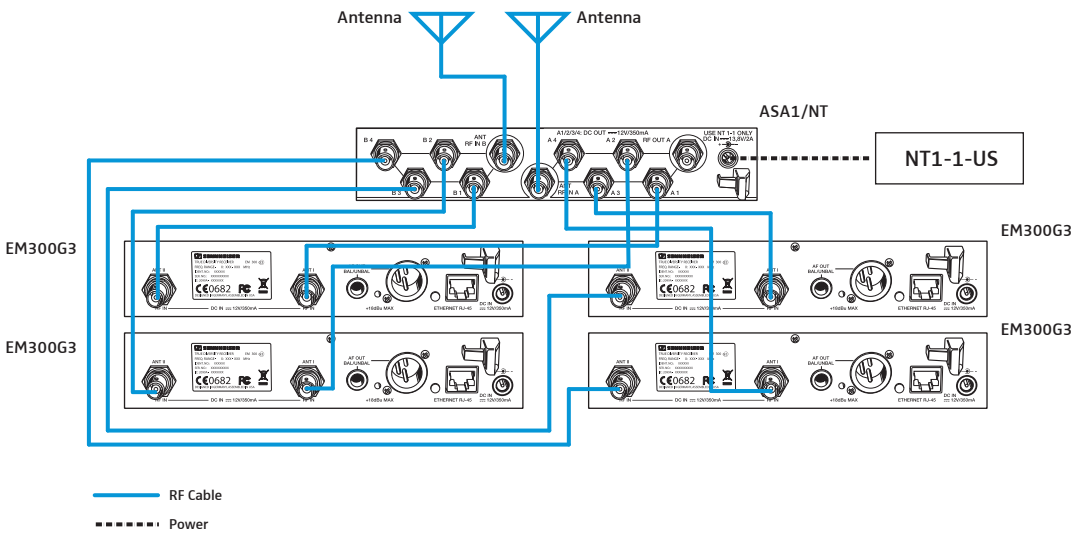
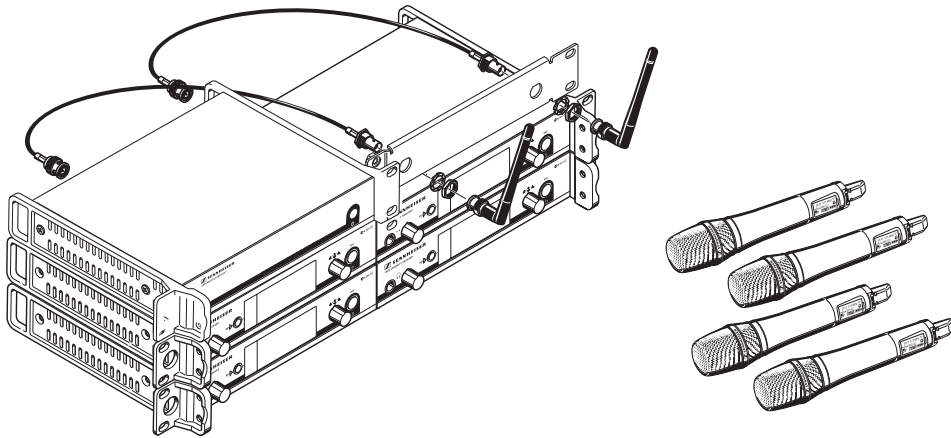
500 Series G3 Sets

- 20 pre-coordinated frequency banks and 6 user banks with up to 32 compatible frequencies per bank
- Vocal Sets include microphone capsules from Sennheiser's highly successful evolution 900 series line standard
- ew 512 G3 Presentation Set includes Sennheiser's industry-standard MKE 2-ew Gold lavalier microphone
- ew 572 G3 Instrument Set features a built-in guitar tuner plus guitar cable emulator, which ensures a wireless guitar sounds like a corded one

Multi-Channel Wireless System Design

Four Channel Wireless System (4 Handheld Systems)

Qty	Model	Description
4	ew335G3	Handheld Systems w/MMD 835-1 capsules
1	G3FrontKit4	Active splitter kit for four receiver system using front-mount antennas, includes ASA1/NT, GA3, AM2



4 Channel Wireless System

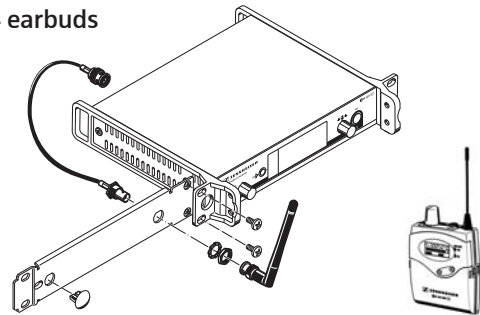
Multi-Channel Wireless System Design

Single Channel Wireless Monitor System

(1 ew300IEMG3 system, for a single stage mix.)

NOTE: additional EK300 receivers may be added as needed to monitor the same mix.)

Qty	Model	Description
1	ew300IEMG3	Wireless monitor system with rack mountable transmitter, GA3 rack mount kit, bodypack receiver and IE4 earbuds

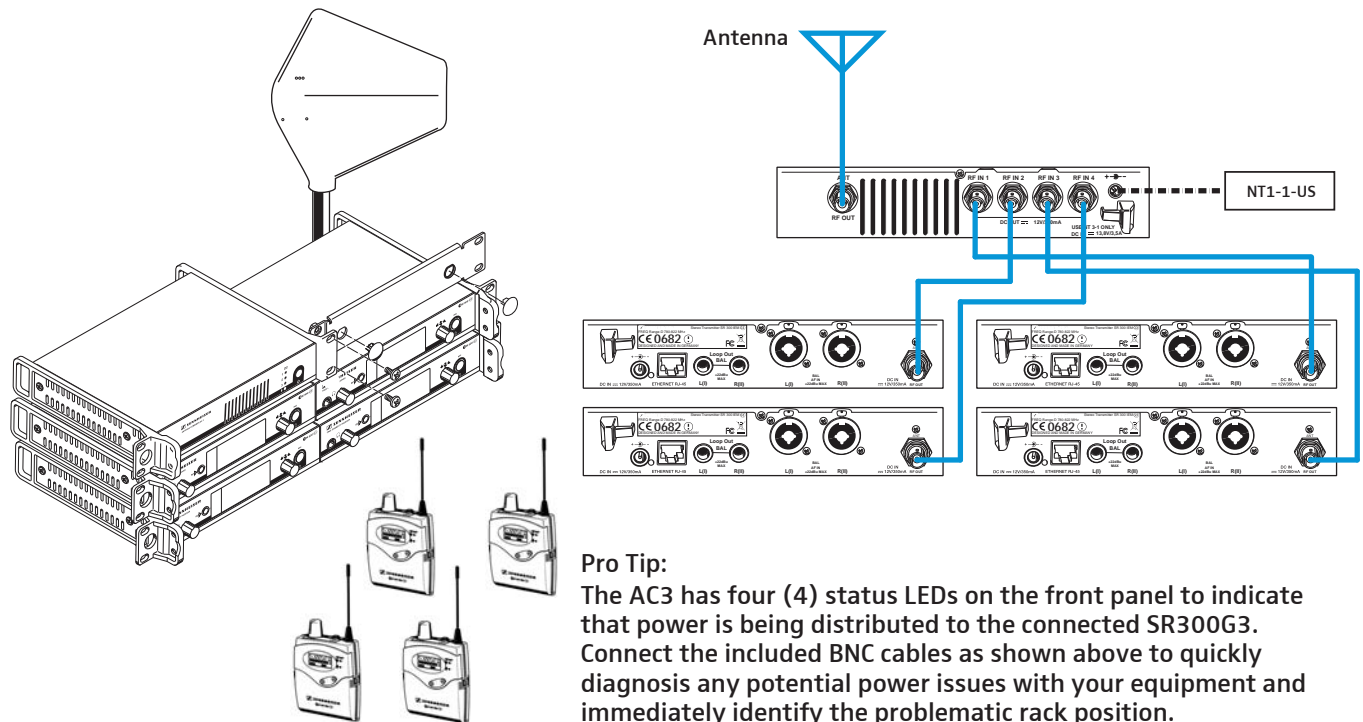


Four Channel Wireless Monitor System

(4 ew300IEMG3 systems)

Qty	Model	Description
4	ew300IEMG3	Wireless monitor system with rack mountable transmitter, GA3 rack mount kit, bodypack receiver and IE4 earbuds
1	G3IEMDirKit4	Active combiner kit for four IEM transmitters with DC power distribution, includes AC3/NT, GA3, A2003-UHF

Note: Various Lengths of RF cable available for antenna run (sold separately)

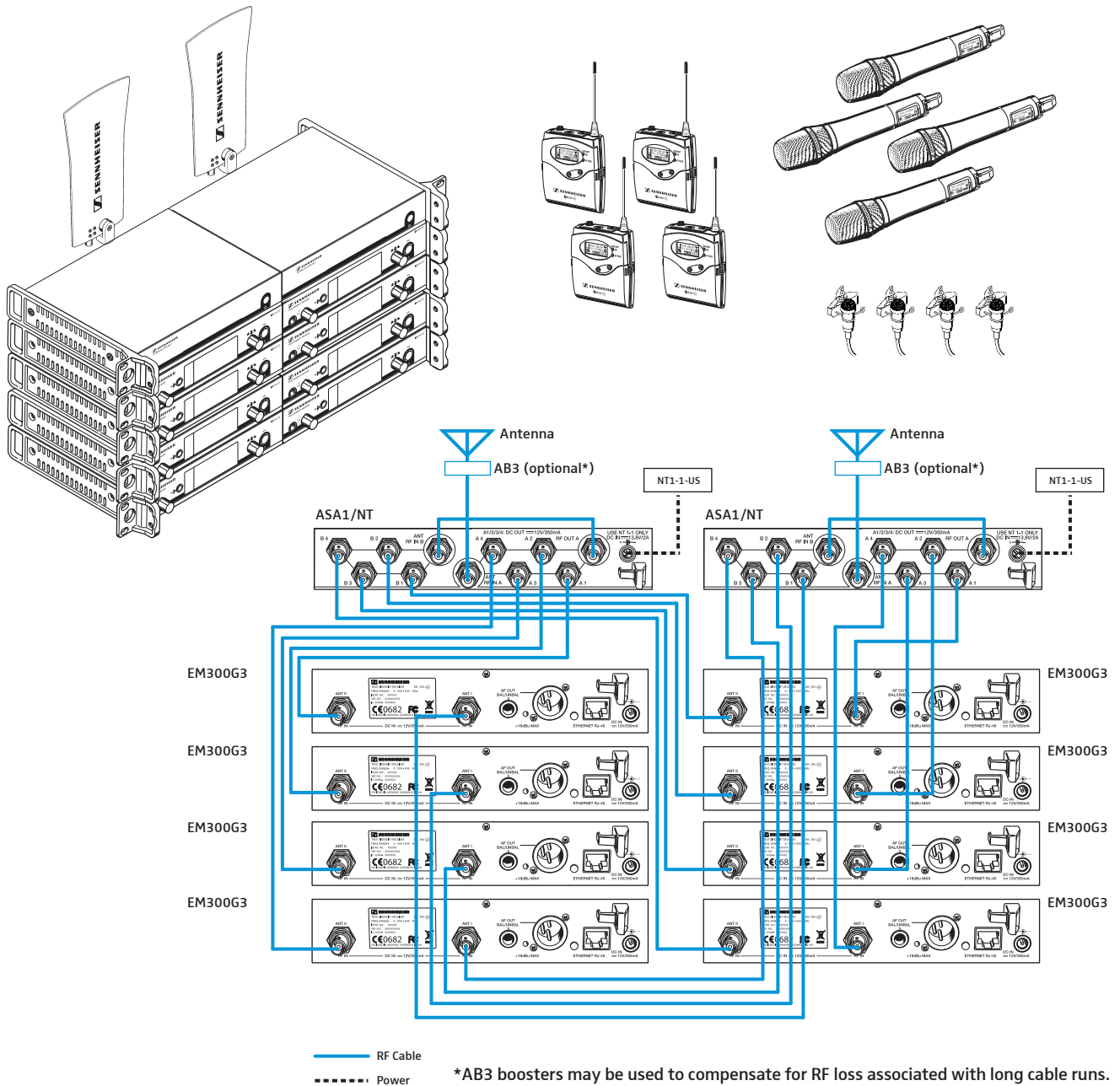


Multi-Channel Wireless System Design

Eight Channel Wireless System (4 Handheld Systems and 4 Lavalier Systems)

Qty	Model	Description
4	ew365 G3	Handheld Systems w/MME865-1 capsules
4	ew312 G3	Lavalier Systems w/ME2 capsules
1	G3OmniKit8	Active splitter kit for eight receiver system using omnidirectional remote paddle antennas, includes two (2) ASA1/NT, two (2) A1031-U, GA3, two (2) BB1

Note: Various Lengths of RF cable available for antenna run (sold separately)



8 Channel Wireless System

ME102/104/105 Lavaliers

ME102/104/105 Modular Lavalier System Components

Steel Mesh
Windscreens

Microphone
capsules

Connecting
cables

Accessories

