

OWNER'S MANUAL

LITTLE MARK 58R - LITTLE MARK 58R COMBO - MB58R COMBOS PURE SERIES

IMPORTANT SAFETY INSTRUCTIONS

- 1) Read these instructions;
- 2) Keep these instructions;
- 3) Heed all warnings;
- 4) Follow all instructions;
- 5) Do not use this apparatus near water;
- 6) Clean only with dry cloth;
- 7) Do not block any ventilation openings. Install in accordance with the manufacturer's instructions;
- 8) Do not install near any heat sources such as radiators, heat registers, stoves, or other apparatus (including amplifiers) that produce heat;
- 9) Do not defeat the safety purpose of the polarized or ground-type plug. A polarized plug has two blades with one wider than the other. A grounding type plug has two blades and a third grounding prong. The wide blade or the third prong are provided for your safety. If the provided plug does not fit into your outlet, consult an electrician for replacement of the obsolete outlet;
- 10) Protect the power cord from being walked on or pinched, particularly at plugs, convenience receptacles, and the point where they exit from the apparatus
- 11) Only use attachments/accessories specified by the manufacturer;
- 12) Use only with the cart, stand, tripod, bracket, or table specified by the manufacturer, or sold with the apparatus. When a cart is used, use caution when moving the cart/apparatus combination to avoid injury from the tip-over (and Fig 21 DU Tipping Cart Symbol).
- 13) Unplug this apparatus during lightning storms or when unused for long periods of time;
- 14) Refer all servicing to qualified service personnel. Servicing is required when the apparatus has been damaged in any way, such as power-supply cord or plug is damaged, liquid has been spilled or objects have fallen into the apparatus, the apparatus has been exposed to rain or moisture, does not operate normally, or has been dropped;
- 15) "WARNING: TO REDUCE THE RISK OF FIRE OR ELECTRIC SHOCK, DO NOT EXPOSE THIS APPARATUS TO RAIN OR MOISTURE AND OBJECTS FILLED WITH LIQUIDS, SUCH AS VASES, SHOULD NOT BE PLACED ON THIS APPARATUS".
- 16) TO COMPLETELY DISCONNECT THIS APPARATUS FROM THE AC MAINS, DISCONNECT THE POWER SUPPLY CORD PLUG FROM THE AC RECEPTACLE;
- 17) THE MAINS PLUG OF THE POWER SUPPLY CORD SHALL REMAIN READILY ACCESSIBLE.
- 18) In case of voltage selector make sure the switch on the rear panel is on the correct voltage before connecting it to the AC power, and the fuse is the right value for that voltage (This selector is not available on the 100V version). Please change the voltage/fuse values label located near the voltage selector matching the voltage/fuse values when you need to change the voltage of the apparatus.
- 19) "WARNING: THIS APPARATUS MUST BE SECURELY ATTACHED TO THE FLOOR OR WALL IN ACCORDANCE WITH INSTALLATION ISTRUCTION. TIPPING, SHAKING, OR ROCKING THE MACHINE MAY CAUSE INJURY OR DEATH."
- 20) "CAUTION: THESE SERVICING INSTRUCTIONS ARE FOR USE BY QUALIFIED SERVICE PERSONNEL ONLY. TO REDUCE THE RISK OF ELECTRIC SHOCK DO NOT PERFORM ANY SERVICING OTHER THAN THAT CONTAINED IN THE OPERATING INSTRUCTIONS UNLESS YOU ARE QUALIFIED TO DO SO"



PRÉCAUTIONS D'EMPLOI

- 1) Lire ces instructions;
- 2) Conserver ces instructions;
- 3) Suivre tous les conseils d'utilisations;
- 4) Suivre toutes les instructions;
- 5) Ne pas utiliser cet appareil au bord de l'eau;
- 6) Nettoyer uniquement avec un chiffon humide;
- 7) Ne pas bloquer le système de ventilation. Installer conformément aux instructions du fabricant;
- 8) Ne pas installer l'appareil près d'une source de chaleur tel qu'un radiateur, un fourneau, ou bien un autre appareil qui produit de la chaleur;
- 9) Ne pas modifier le système de sécurité de la fiche polarisée ou de la fiche pour les prises de terre. Une fiche polarisée a deux broches, l'une étant plus distante de l'autre. Une fiche pour prise de terre a deux broches et une pointe pour la masse. La broche plus distante et la pointe pour la masse ont été installées pour votre sécurité. Si la fiche fournie de rentre pas dans votre prise de courant consulter un électricien pour la substitution;
- 10) Protéger le cordon d'alimentation afin qu'il ne soit pas piétiné ou écrasé tout particulièrement au niveau des fiches, des prises de courant femelles, et des parties qui sortent de l'appareil;
- 11) Utiliser uniquement les accessoires recommandés par le fabricant;
- 12) Utilisez uniquement avec le chariot, le socle, le trépied, le support ou la table spécifiés par le fabricant ou vendu avec l'appareil. Lorsque vous utilisez un chariot, soyez prudent lorsque vous déplacez l'ensemble chariot appareil Vpour éviter toute blessure du renversement (et la figure 21 DU Tipping panier Symbol).
- 13) Ne pas branché l'appareil en cas d'orage accompagné d'éclairs. Le débrancher en cas de non utilisation prolongée;
- 14) S'adresser à un service assistance agréé si l'appareil a subi des dommages, si le cordon d'alimentation ou la fiche a été endommagé, si un liquide a été renversé sur l'appareil ou bien si un objet est tombé dans l'appareil, si ce dernier a été exposé à la pluie ou à l'humidité, s'il ne fonctionne pas correctement ou s'il est tombé;
- 15) "AVERTISSANT: POUR RÉDUIRE LE RISQUE DU FEU OU DE DÉCHARGE ÉLECTRIQUE, N'EXPOSEZ PAS CET APPAREIL À LA PLUIE OU L'HUMIDITÉ ET LES OBJETS REMPLIS DE LIQUIDES; TELS QUE DES VASES, NE DEVRAIENT PAS ÊTRE PLACÉS SUR CET APPAREIL";
- 16) POUR DÉCONNECTER COMPLETEMEN L'APPAREIL DU RESEAU D'ALIMENTATION, DÉCONNECTER LE CORDON D'ALIMENTATION DE LA PRISE MURALE;
- 17) LA PRISE DU RESEAU D'ALIMENTATION DOIT DEMEURER AISEMENT ACCESSIBLE.
- 18) En cas de sélecteur de tension s'assurer que l'interrupteur sur le panneau arrière est sur la bonne tension avant de le raccorder à l'alimentation secteur et le fusible est la bonne valeur pour que la tension (Ce sélecteur n'est pas disponible sur la version 100V).
S'il vous plaît changer la tension / valeurs de fusibles étiquette située près du sélecteur de tension correspondant aux valeurs / fusibles de tension lorsque vous avez besoin de changer la tension de l'appareil.
- 19) "AVERTISSEMENT: CET APPAREIL DOIT ÊTRE ASSUJETTI AU PLANCHER OU AU MUR CONFORMÉMENT AUX INSTRUCTIONS D'INSTALLATION. LE FAIT DE L'INCLINER, DE LE BALANCER OU DE L'AGITER PEUT CAUSER DES BLESSURES OU LA MORT."
- 20) "ATTENTION: CES INSTRUCTIONS D'ENTRETIEN SONT DESTINÉES PAR PERSONNEL QUALIFIÉ SEULEMENT . POUR RÉDUIRE LE RISQUE DE CHOC ÉLECTRIQUE NE PAS EFFECTUER TOUT ENTRETIEN AUTRE QUE CELLES CONTENUES DANS TEH MODE D'EMPLOI SAUF SI VOUS ÊTES QUALIFIÉ POUR LE FAIRE"

MORE INFORMATION

For warranty and service information, please contact your local Markbass distributor (contact information available at www.markbass.it).

For more technical information, please visit us at www.markbass.it and fill out the form on the Support page.

We hope you enjoy your power amp and use it to make great music!



"The Lightning Flash with arrowhead symbol within an equilateral triangle, is intended to alert the user to the presence of uninsulated "dangerous voltage" within the product enclosure that may be of sufficient magnitude to constitute a risk of shock to persons."



"The exclamation point within an equilateral triangle is intended to alert the user to the presence of important operating and maintenance (servicing) instructions in the literature accompanying the product."



"To be used only with altitude not exceeding 2000 m"



"To be used only where the climate is not tropical"



The MB58R series is a further example of how Markbass is always one step ahead in innovating using state-of-the-art technologies. Once again Marco De Virgiliis with his pioneering soul has managed to create this new series of products which, with the use of custom components born thanks to years of experience and research Markbass and the use of revolutionary materials with an eye to the future and the environment, has really nailed the tone and power versus portability issue. The new LM MB58R amp new design features all the connections and controls on the front panel leaving on the rear panel only the speaker outs and AC power socket, offering optimal ergonomics and making everything more practical. This amp features updated 4 band EQ section, the new bi-band limiter paired with a 500 watt MPT power amp, a mute switch, and the 3 way rotary-switch that that includes the options of a Flat, Scooped or FSW (Footswitchable) EQ options, all in an high build quality and ultralight new chassis in ABS, a super portable package that weights only 2.17Kg/4.78lbs.

1. FRONT PANEL LITTLE MARK 58R - LITTLE MARK 58R COMBO

LITTLE MARK 58R



LITTLE MARK 58R COMBO



1. SEND EFFECT 1/4" JACK
2. RETURN EFFECT 1/4" JACK
3. LINE OUT XLR
4. LINE OUT PRE/POST EQUALIZATION CONTROL SWITCH
5. GROUND LIFT CONTROL SWITCH
6. UNBALANCED 1/4" JACK INPUT
7. GAIN KNOB
8. CLIP LED
9. 3-WAY ROTARY SWITCH KNOW (FLAT/SCOOPE-MID/FSW)
10. SCOOPE-MID EQ LED
11. LOW EQUALIZATION CONTROL KNOB
12. MID LOW EQUALIZATION CONTROL KNOB
13. MID HIGH EQUALIZATION CONTROL KNOB
14. HIGH EQUALIZATION CONTROL KNOB
15. OLD SCHOOL FILTER
16. LINE OUT LEVEL KNOB
17. MASTER VOLUME LEVEL KNOB
18. MUTE SWITCH
19. FOOTSWITCH INPUT
20. MAIN ON/OFF SWITCH

2. REAR PANEL LITTLE MARK 58R - LITTLE MARK 58R COMBO



1. AC POWER SOCKET
2. COOLING SYSTEM FAN
- 3-4. SPEAKER OUTS 1/4" JACK
5. SPEAKER OUT SPEAKON TWO POLE

3. TECHNICAL DETAILS

INPUTS

INPUT impedance: 1 Mohm, max. voltage: 9 Vpp
RETURN impedance: 22 Kohm, max. voltage: 10 Vpp

CONTROLS

GAIN -46 dB to +23 dB range
LINE OUT level control on front panel
PRE/POST EQ (for line out) switch on front panel
GROUND LIFT switch on front panel
MUTE SWITCH/FSW
MASTER VOLUME

EQUALIZATION

LOW center frequency 68 Hz; level: ± 16 dB
MID LOW center frequency 360 Hz; level: ± 16 dB
MID HIGH center frequency 800 Hz; level: ± 16 dB
HIGH center frequency 10 kHz; level: ± 16 dB
OLD SCHOOL max cut range: 250 Hz – 20 kHz
3 WAY SWITCH flat/scooped-mid/FSW

OUTPUTS

SEND EFFECT unbalanced, max. voltage 20 Vpp
LINE OUT balanced XLR, max. voltage 20 Vpp
SPEAKER OUT 1x speakon + 2x 1/4" jack

OTHERS

HEIGHT 2 rack units (3.19 in. / 81 mm)
WIDTH 10.87 in. / 27.6 cm (19 in. / 48.3 cm with rack ears)
DEPTH 10.16 in. / 25.8 cm
WEIGHT 4.78 lbs / 2.17 kg

FOOTSWITCH (OPTIONAL) Flat/Scooped-Mid/Mute

OUTPUT POWER 500W RMS @ 4 ohm, 300W RMS @ 8 ohm (LITTLE MARK 58R /LITTLE MARK 58R COMBO)

POWER REQUIREMENT

LITTLE MARK 58R, LITTLE MARK 58R COMBO
 100V; 120V; 230V; 240V 50/60Hz
 (Voltage is factory preset according to region of sale).
 Markbass amps/combos are manufactured to be sold and used in the country of purchase,
 and are factory preset to that country's voltage.
 Due to homologation issues, the voltage may not be changed.

FUSE

LITTLE MARK58R, LITTLE MARK 58R COMBO
 EUROPE 4 A 250V T 5x20
 AUSTRALIA/UK 4 A 250V T 5x20
 USA/CANADA 8 A 250V T 5x20
 JAPAN 10 A 250VT 5x20

4. COMBOS: TECHNICAL DETAILS

COMBO SERIES	MBS58R CMD 102 PURE	MB58R CMD 121 PURE	MB58R CMD 151 PURE	MB58R MINI CMD 121 PURE
SPEAKER	2x10" Neodimium Custom	1x12" Neodimium Custom	1x15" Neodimium Custom	1x12" Neodimium Custom
TWEETER	Markbass hi-fi tweeter	Markbass hi-fi tweeter	Markbass hi-fi tweeter	Markbass hi-fi tweeter
SPEAKER POWER HANDLING	400W RMS (AES Standard)	400W RMS (AES Standard)	400W RMS (AES Standard)	400W RMS (AES Standard)
REFLEX	Rear	Rear	Rear	Rear
IMPEDANCE	8 ohms	8 ohms	8 ohms	8 ohms
CROSSOVER FREQUENCY	3.5 kHz	3.5 kHz	3.5 kHz	3.5 kHz
FREQUENCY RESPONCE	40Hz to 20KHz	45Hz to 20KHz	40Hz to 20KHz	45Hz to 20KHz
SENSITIVITY DB SPL	101 dB	99 dB	100 dB	99 dB
CONTROLS	GAIN 4-BAND EQ OLD SCHOOL FILTER MUTE SWITCH MASTER VOLUME LINE OUT level control PRE/POST EQ e GND switches 3 WAY SWITCH: flat/scooped-mid/FSW			
OUTPUT POWER	500W RMS @ 4 ohm 300W RMS @ 8 ohm	500W RMS @ 4 ohm 300W RMS @ 8 ohm	500W RMS @ 4 ohm 300W RMS @ 8 ohm	500W RMS @ 4 ohm 300W RMS @ 8 ohm
DIMENSIONS	17.72"/45cm (w) 22.68"/57.6cm (h) 18.64"/47.1cm (d)	17.72"/45cm (w) 22.68"/57.6cm (h) 18.64"/47.1cm (d)	17.72"/45cm (w) 22.68"/57.6cm (h) 18.64"/47.1cm (d)	15.35"/39cm (w) 18.50"/47 cm (h) 14.17"/36 cm (d)
WEIGHT	30 lbs /13.6 kg	31.1 lbs / 14.1 kg	31.7 lbs / 14.4 kg	21.7 lbs / 10.3 kg

5. TROUBLESHOOTING TIPS

THERMAL PROTECTION

SYMPTOM	<i>The amp gets hot and shuts down.</i>
PROBABLE CAUSE	<i>The amp is overheated, either as a result of inadequate ventilation or damage cooling system fan. When the amplifier cools down to a safe level, the amp will automatically restart.</i>
SUGGESTIONS	<i>Please verify that the fan is working properly, and that the cooling system ports are not obstructed.</i>

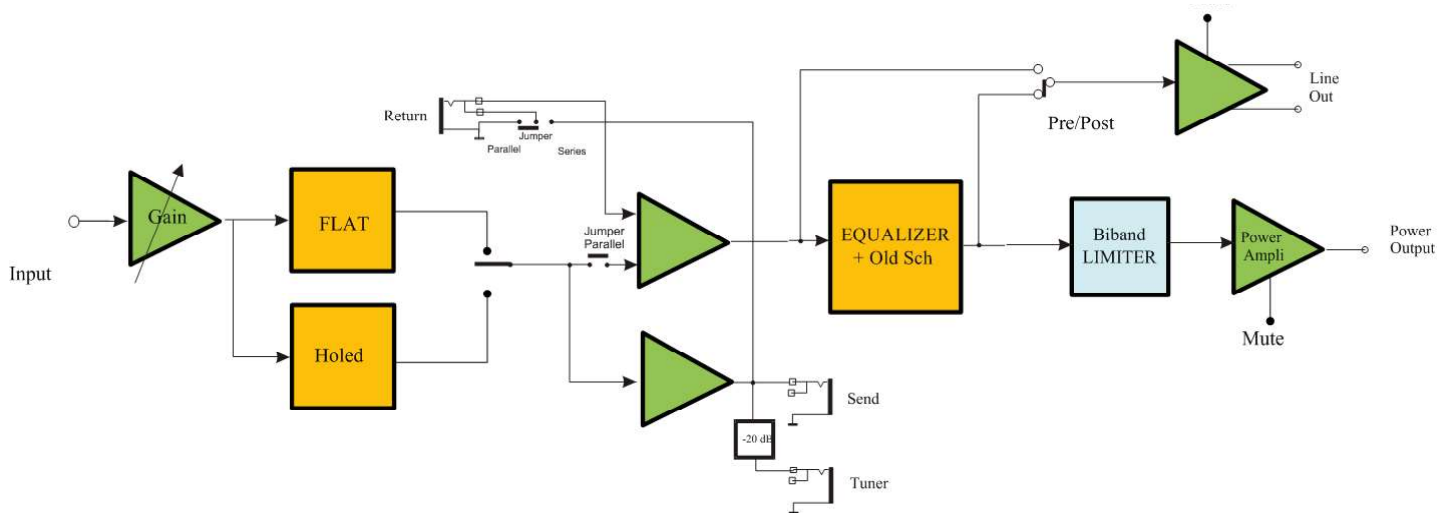
CURRENT PROTECTION

SYMPTOM	<i>The amp turns on, but there is no signal coming from the speaker/s.</i>
PROBABLE CAUSE	<i>Low impedance load (minimum impedance for Markbass amps is 4 ohms), or a bad speaker cable.</i>
SUGGESTIONS	<i>Please verify the impedance of the speaker/s connected to the amp. Note that two 4 ohm cabinets, or an 8 ohm and a 4 ohm cabinet, will result in an impedance below 4 ohms. Please check the speaker cable/s. After checking these two things, please turn the amp off and turn it on again.</i>

If the troubleshooting steps outlined above do not solve your problem, please contact your Markbass distributor/dealer for service information.

For more TROUBLESHOOTING TIPS, please check the FAQ section on the SUPPORT page of our website at www.markbass.it

6. BLOCK DIAGRAM



7. NOTE

Note: product specifications are subject to change without notice

**Mark
bass**[®]
www.markbass.it

Parsek srl - Italy - 66020 San Giovanni Teatino CH - Via Po, 52

Tel: +39 0854407764 / 0854465705 - Fax: +39 0854407764 / 0854407399 - www.markbass.it - info@markbass.it