

L16-CJ

4×5寸 (20个喇叭单元) 同轴线阵弧形音柱

4×5 inch (20 pcs driver units) Coaxial Array Arc shaped Column

应用范围 Application

- ▶ 会议室、多功能厅的主扩声、会议厅、剧场的辅助扩声、娱乐包房的中置或补声音箱、餐厅、商场等室内场地、小型流动演出扩声
- ▶ Main sound for Conference room, Multi-function hall, supporting fills for theater, entertainment room, restaurant room, shopping mall, small touring live show.

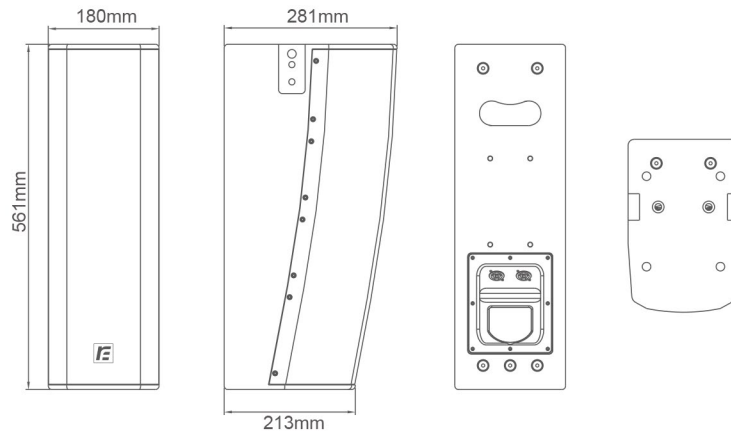
产品特性 Features

▶ L16-CJ是一款同轴线阵弧形音柱，由16个1寸高音单元和4个5寸低音单元组成。巧妙的把高音单元固定在低频单元正面纵轴线上，形成声学同轴结构扩声方式；弧形箱体设计结合喇叭单元排列符合线声源阵列设计原理，又能满足精准的声像定位效果，配合线阵音柱L16-CI灵活覆盖搭配使用，在听音区内扩声提供高品质音色和极高的清晰度。

▶ The L16-CJ is a Coaxial Array Arc shaped Column consisting of 16 pcs 1-inch treble units and 4 pcs 5-inch bass units. The treble unit is skillfully fixed on the front longitudinal axis of the low frequency unit to form the acoustic coaxial structure sound reinforcement mode. The design of arc box combined with the arrangement of driver element accords with the design principle of line acoustic source array, realizes the accurate constant pointing waveguide coverage, it can satisfy the accurate positioning effect of the point source, and provides high quality sound and very high clarity in the listening area.



产品尺寸 Product dimension



参数规格 Specifications

系统类型	4×5寸 (20个喇叭单元) 同轴线阵弧形音柱	System type	4×5 inch (20 pcs driver units) Coaxial Array Arc shaped Column
灵敏度(1W/1m)	93dB	Sensitivity(1W/1m)	93dB
频率响应	100Hz-18kHz(±3dB)/80Hz-20kHz(-10dB)	Frequency response	100Hz-18kHz(±3dB)/80Hz-20kHz(-10dB)
额定功率(AES)	250W	Power rating(AES)	250W
最大声压级(连续/峰值)	118dB/124dB	SPL(continue/peak)	118dB/124dB
标称覆盖角(H×V)	120°×20°	Dispersion(H×V)	120°×20°
标称阻抗	16Ω	Nominal Impedance	16Ω
低音单元	4×5"低音单元	LF	4×5"
高音单元	16×1"高音单元	HF	16×1"
连接件	2×NEUTRIK NL4MP四芯插座, 1+1-	Connectors	2×NEUTRIK NL4MP 4 pin socket , 1+ 1-
尺寸(H×W×D)	561×180×281mm	Dimension(H×W×D)	561×180×281mm
重量	12kg	Weight	12kg



广州市锐丰智能科技有限公司 A: 广东省广州市番禺区市莲路石楼路段10号
T: 020-3928 0043 F: 020-39280123-8014 E: info@rfintell.com Z: 511447 www.rfintell.com

Guangzhou Ruifeng Intelligence Technology Co., Ltd Address: No.10, Shilou Section, Shilian Road, Panyu District, Guangzhou, Guangdong, China
T: +86 2039280083 Mobile: +86 13609092324 F: +86-20-39280123-8014 E: mail:sales@rfintell.com Z: 511447 www.rfintell.com