

## PLX-500-K PLX-500-W

**TURNTABLE  
PLATINE VINYLE  
PLATTENSPIELER  
GIRADISCHI  
DRAAITAFEL  
GIRADISCOS  
GIRADISCOS  
ПРОИГРЫВАТЕЛЬ  
ВИНИЛОВЫХ ДИСКОВ**

<http://pioneerdj.com/support/>

The Pioneer DJ site shown above offers FAQs, information on software, and various other types of information and services to allow you to use your product in greater comfort.

Le site Pioneer DJ indiqué ci-dessus propose une FAQ, des informations sur le logiciel et divers types d'informations et de services qui permettent une utilisation plus confortable de ce produit.

Die oben angegebene Pioneer DJ-Website enthält häufig gestellte Fragen, Informationen über Software und andere wichtige Informationen und Dienste, die Ihnen helfen, Ihr Produkt optimal zu verwenden.

Il sito Pioneer DJ indicato qui sopra offre una sezione FAQ, informazioni sul software ed informazioni e servizi di vario tipo, per permettere un uso più confortevole dei nostri prodotti.

Op bovengenoemde Pioneer DJ website vindt u FAQ's, informatie over software, en andere informatie en diensten voor nog meer gebruiksgemak van uw product.

El sitio de Pioneer DJ indicado más arriba tiene una sección con las preguntas más frecuentes, y además ofrece información del software y varios tipos de información y servicios para que usted pueda usar su producto con la mayor comodidad.

O site da Pioneer DJ mostrado acima oferece FAQs, informações sobre o software e outros tipos de informações e serviços para permitir utilizar o produto com um maior conforto.

Указанный выше сайт Pioneer DJ содержит ответы на часто задаваемые вопросы, информацию о программном обеспечении и различную другую информацию, а также предлагает услуги, чтобы вы могли с большим комфортом пользоваться приобретенным изделием.

Operating Instructions

Mode d'emploi

Bedienungsanleitung

Istruzioni per l'uso

Handleiding

Manual de instrucciones

Manual de instruções

Инструкции по эксплуатации



English

Français

Deutsch

Italiano

Nederlands

Español

Português

Русский



If you want to dispose this product, do not mix it with general household waste. There is a separate collection system for used electronic products in accordance with legislation that requires proper treatment, recovery and recycling.

Private households in the member states of the EU, in Switzerland and Norway may return their used electronic products free of charge to designated collection facilities or to a retailer (if you purchase a similar new one).

For countries not mentioned above, please contact your local authorities for the correct method of disposal.

By doing so you will ensure that your disposed product undergoes the necessary treatment, recovery and recycling and thus prevent potential negative effects on the environment and human health.

K058b\_A1\_En

## CAUTION

TO PREVENT THE RISK OF ELECTRIC SHOCK, DO NOT REMOVE COVER (OR BACK). NO USER-SERVICEABLE PARTS INSIDE. REFER SERVICING TO QUALIFIED SERVICE PERSONNEL.

D3-4-2-1-1\_B1\_En

## WARNING

This equipment is not waterproof. To prevent a fire or shock hazard, do not place any container filled with liquid near this equipment (such as a vase or flower pot) or expose it to dripping, splashing, rain or moisture.

D3-4-2-1-3\_A1\_En

## WARNING

To prevent a fire hazard, do not place any naked flame sources (such as a lighted candle) on the equipment.

D3-4-2-1-7a\_A1\_En

## Operating Environment

Operating environment temperature and humidity:  
+5 °C to +35 °C (+41 °F to +95 °F); less than 85 %RH (cooling vents not blocked)

Do not install this unit in a poorly ventilated area, or in locations exposed to high humidity or direct sunlight (or strong artificial light).

D3-4-2-1-7c\*\_A2\_En

## CAUTION

The **POWER** switch on this unit will not completely shut off all power from the AC outlet. Since the power cord serves as the main disconnect device for the unit, you will need to unplug it from the AC outlet to shut down all power. Therefore, make sure the unit has been installed so that the power cord can be easily unplugged from the AC outlet in case of an accident. To avoid fire hazard, the power cord should also be unplugged from the AC outlet when left unused for a long period of time (for example, when on vacation).

D3-4-2-2-2a\*\_A1\_En

This product is for general household purposes. Any failure due to use for other than household purposes (such as long-term use for business purposes in a restaurant or use in a car or ship) and which requires repair will be charged for even during the warranty period.

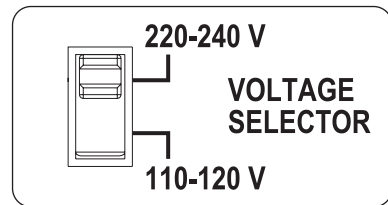
K041\_A1\_En

## Voltage selector

You can find the voltage selector switch on the top panel of multi-voltage models.

**The factory setting for the voltage selector is 220-240 V. Please set it to the correct voltage for your country or region.**

Before changing the voltage, disconnect the AC power cord. Use a medium size screwdriver to change the voltage selector switch.



D3-4-2-1-5\*\_A2\_En

## POWER-CORD CAUTION

Handle the power cord by the plug. Do not pull out the plug by tugging the cord and never touch the power cord when your hands are wet as this could cause a short circuit or electric shock. Do not place the unit, a piece of furniture, etc., on the power cord, or pinch the cord. Never make a knot in the cord or tie it with other cords. The power cords should be routed such that they are not likely to be stepped on. A damaged power cord can cause a fire or give you an electrical shock. Check the power cord once in a while. When you find it damaged, ask your nearest service center or your dealer for a replacement.

S002\*\_A1\_En

## VENTILATION CAUTION

When installing this unit, make sure to leave space around the unit for ventilation to improve heat radiation (at least 15 cm at top, 5 cm at rear, and 5 cm at each side).

## WARNING

Slots and openings in the cabinet are provided for ventilation to ensure reliable operation of the product, and to protect it from overheating. To prevent fire hazard, the openings should never be blocked or covered with items (such as newspapers, table-cloths, curtains) or by operating the equipment on thick carpet or a bed.

D3-4-2-1-7b\*\_A1\_En



## For other areas

**NOTE:**

This equipment has been tested and found to comply with the limits for a Class B digital device, pursuant to Part 15 of the FCC Rules. These limits are designed to provide reasonable protection against harmful interference in a residential installation. This equipment generates, uses, and can radiate radio frequency energy and, if not installed and used in accordance with the instructions, may cause harmful interference to radio communications. However, there is no guarantee that interference will not occur in a particular installation. If this equipment does cause harmful interference to radio or television reception, which can be determined by turning the equipment off and on, the user is encouraged to try to correct the interference by one or more of the following measures:

- Reorient or relocate the receiving antenna.
- Increase the separation between the equipment and receiver.
- Connect the equipment into an outlet on a circuit different from that to which the receiver is connected.
- Consult the dealer or an experienced radio/TV technician for help.

D8-10-1-2\_A1\_En

**Information to User**

Alterations or modifications carried out without appropriate authorization may invalidate the user's right to operate the equipment.

D8-10-2\_A1\_En

**FEDERAL COMMUNICATIONS COMMISSION DECLARATION OF CONFORMITY**

This device complies with part 15 of the FCC Rules. Operation is subject to the following two conditions: (1) This device may not cause harmful interference, and (2) this device must accept any interference received, including interference that may cause undesired operation.

Product Name: TURNTABLE

Model Number: PLX-500-K, PLX-500-W

Responsible Party Name: PIONEER ELECTRONICS (USA) INC.  
SERVICE SUPPORT DIVISION

Address: 1925 E. DOMINGUEZ ST. LONG BEACH, CA 90810-1003, U.S.A.

Phone: 1-800-421-1404

URL: <http://www.pioneerelectronics.com>

D8-10-4\*\_C1\_En

---

---

# Contents

## How to read this manual

- Thank you for buying this Pioneer DJ product.  
Be sure to read this booklet, which includes important information that you must understand before using this product.  
After you have finished reading the instructions, put them away in a safe place for future reference.
- In this booklet, the names of the buttons and terminals of the main unit appear in square brackets ([ ]).  
Examples:  
Press the [START/STOP] button.

## 01 Before start

Features .....	5
What's in the box .....	5

## 02 Before you start

Installing rekordbox (Mac/Windows) .....	6
Assembly .....	6

## 03 Part names and functions

Top panel .....	8
Rear panel .....	9

## 04 Adjustment

Adjusting the tone arm balance .....	10
Adjusting the stylus pressure .....	10
Adjusting anti-skating .....	11
Adjusting the arm lifter height .....	11
Adjusting the arm height .....	11

## 05 Connections

Connecting to powered speakers .....	12
Connecting to a pre-main amplifier and component .....	12
Connecting to a DJ mixer .....	13
Connecting with a computer .....	13
Place of installation .....	13
Adjusting the height of the main unit .....	13

## 06 Operation

Turning the power on .....	14
Turning the power off .....	14
Playback .....	14
Pausing playback .....	14
Finishing playback .....	14
Adjusting the pitch .....	14
Displaying a record jacket .....	14
To play a standard EP record .....	15
Illuminating the stylus tip .....	15
Recording .....	15
Replacing the stylus .....	15
Changing the cartridge .....	15

## 07 Additional information

Troubleshooting .....	16
Cautions on use .....	16
Maintenance of each part .....	16
About trademarks and registered trademarks .....	17
Specifications .....	17

---

---

# Before start

---

---

## Features

This unit is a high-torque direct drive turntable that can be enjoyed in a variety of applications ranging from home listening to DJing.

---

### High-quality analog record sound

The path from the stylus tip to the **PHONO/LINE** output has been designed as the shortest to faithfully reproduce the original sound quality of analog records.

Furthermore, since not only **PHONO** output but also **LINE** output is supported, you can easily enjoy high quality analog record sound by simply directly connecting with powered speakers.

---

### Easy digital recording

A **USB-B** terminal is provided so you can directly connect this unit and a PC or Mac and then record analog record sound sources to the PC or Mac by converting them to data. Digital recording with simple operation can be performed by using the recording function of the free music management application "rekordbox" (Ver.4.2.1 or later) when recording.

---

### DJ performance capable direct-drive turntable

The adoption of a high-torque direct-drive system means you can perform track mixing, scratching, and other DJ performances by combining two of these units with a DJ mixer.

---

### Dust cover that can serve as a stand for a record jacket

A record jacket can be displayed on the dust cover while the dust cover is in an open state. This allows you to enjoy analog record sound while looking at the record jacket.

---

## What's in the box

- Turntable
  - Slip mat
  - Dust cover
  - Adapter for EP record
  - Balance weight
  - Headshell (cartridge included)
  - Shell weight
  - Power cord
  - USB cable
  - Audio adapter cable (Stereo pin plug (female) to stereo mini plug (male))
  - Warranty (for some regions)<sup>[1]</sup>
  - Operating instructions (this document)
- [1] The included warranty is for the European region.

### WARNING

Store small parts out of the reach of children and infants. If accidentally swallowed, contact a doctor immediately.

D41-6-4\_A1\_En

# Before you start

## Installing rekordbox (Mac/Windows)

### 1 Access rekordbox.com.

<https://rekordbox.com/en/store/>

- The page content is subject to change without notice.

### 2 Check the Get Started guide and then click [Free to Download].



### 3 Carefully read the Software End User License Agreement and select the [Agree] check box if you agree.

When you select the check box, [Download] becomes clickable.

### 4 Click [Download].

Downloading of rekordbox (Mac/Windows) starts.

### 5 Double-click the downloaded file to unzip it.

### 6 Double-click the unzipped file to launch the installer.

### 7 Carefully read the Software End User License Agreement, and continue with the installation according to the instructions on the screen if you agree.

- If you do not agree to the contents of the Software End User License Agreement, cancel the installation.

### 8 When the installation completion screen appears, follow the instructions on the screen to close the installer.

The installation is now complete.

- To use rekordbox dj, rekordbox dvs, and rekordbox video, activation (license authentication) is required. For details, see the rekordbox Operating Instructions.

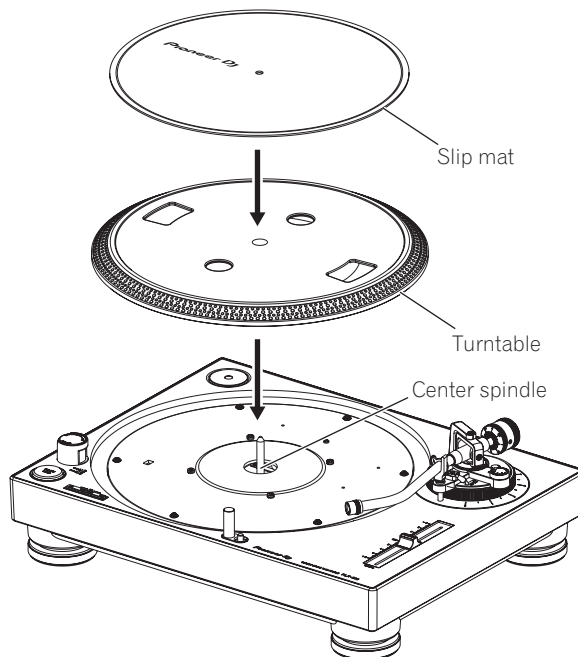
<https://rekordbox.com/en/support/manual.php>

## Assembly

### 1 Attach the turntable and slip mat.

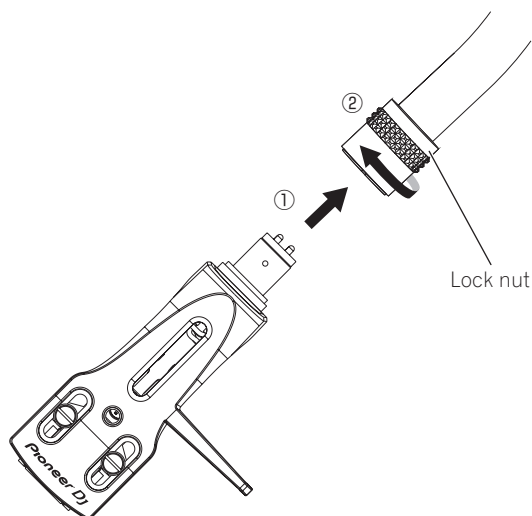
Set the turntable on the center spindle and place the slip mat on top of the turntable.

- Be careful not to hit the turntable on the main unit or drop it.

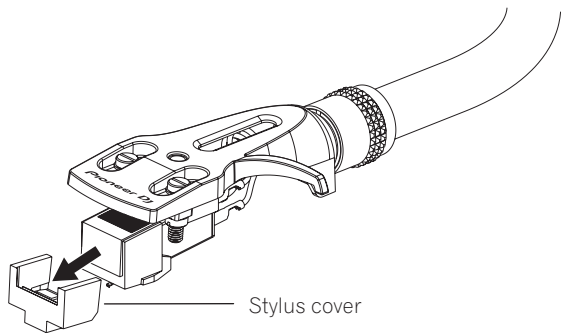


### 2 Attach the headshell.

Insert the headshell with attached cartridge into the tone arm. Next, while keeping the headshell horizontal, tighten the lock nut.

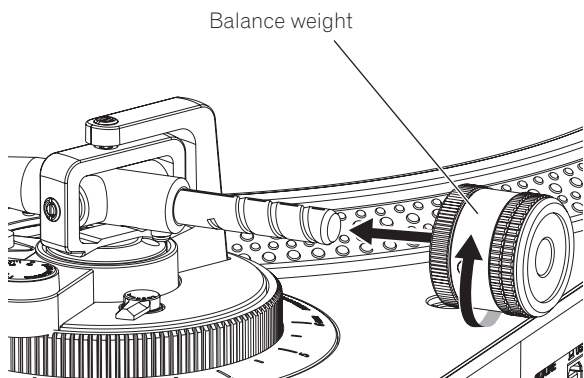


- Before use, remove the stylus cover without touching the stylus tip.



### 3 Attach the balance weight.

Attach the balance weight to the rear shaft of the tone arm.

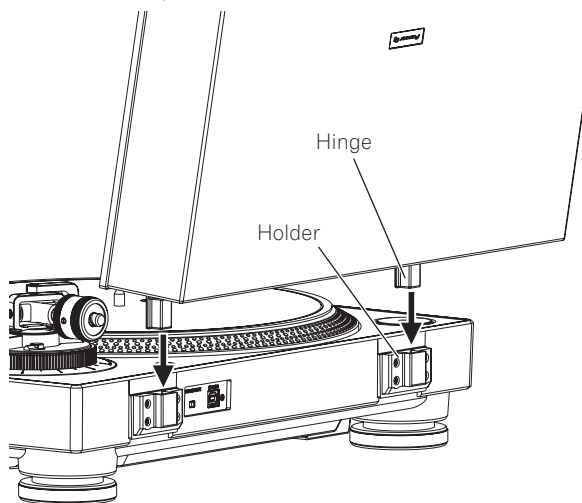


---

### Attach the dust cover.

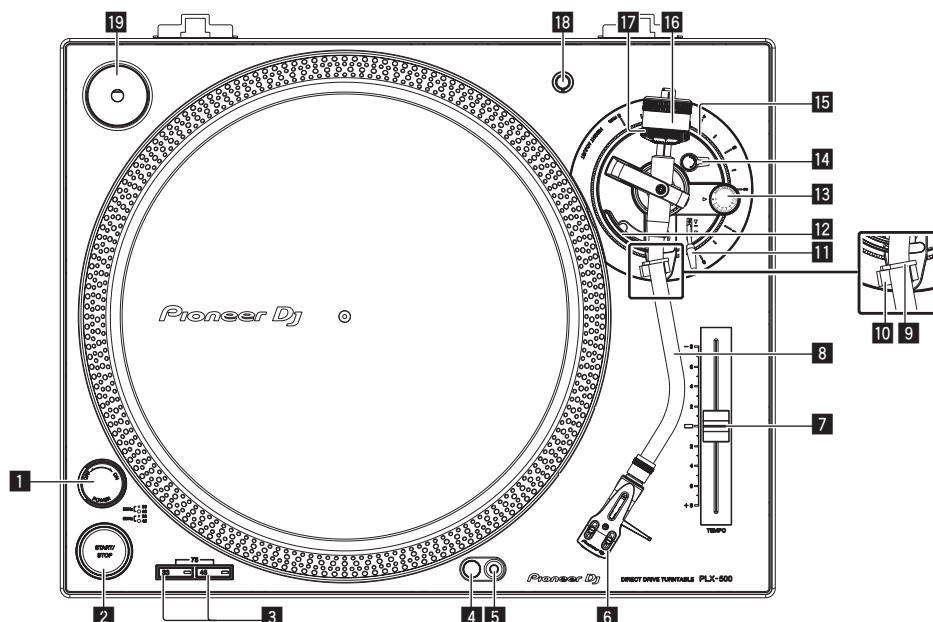
Insert the hinges of the dust cover into the holders at the rear panel of this unit.

When removing the dust cover, pull the hinges up outward while the dust cover is in an open state.



# Part names and functions

## Top panel



### 1 POWER switch

When turning the switch to the [ON] side, the power is turned on and the strobe illuminator on the side lights.

- ↻ *Turning the power on* (p.14)
- ↻ *Turning the power off* (p.14)

### 2 START/STOP button

Pressing the button starts or stops rotation of the turntable.

- ↻ *Playback* (p.14)

### 3 Speed change button

Changes the speed according to the record to be played.

- For a 33 1/3 rpm record, press the [33] button.
  - For a 45 rpm record, press the [45] button.
  - For a 78 rpm record, press the [33] button and [45] button at the same time.
- ↻ *Playback* (p.14)

### 4 Stylus illuminator

Lights to illuminate the stylus tip.

- ↻ *Illuminating the stylus tip* (p.15)

### 5 Stylus illuminator switch

The stylus illuminator lights in white and ascends to the position at which the stylus tip is illuminated.

- ↻ *Illuminating the stylus tip* (p.15)

### 6 Headshell

### 7 TEMPO slider

You can slide back and forth to perform fine adjustment of the rotation speed.

- ↻ *Adjusting the pitch* (p.14)

### 8 Tone arm

- ↻ *Adjustment* (p.10)

### 9 Arm clamber

Clamps the tone arm.

### 10 Arm rest

Serves as the support base for the tone arm.

### 11 Lifter lever

The tone arm goes up when the lever is pulled up. The tone arm goes down when the lever is pushed down.

### 12 Arm lifter

This device is used to move the tone arm up and down. It is operated by the lifter lever.

### 13 ANTI SKATING dial

When a record is played, there is power to pull the stylus tip toward the inner perimeter. By matching this dial to the stylus pressure value, that power is eliminated.

- ↻ *Adjusting anti-skating* (p.11)

### 14 HEIGHT ADJUST lock

Locks the adjusted height of the arm.

- ↻ *Adjusting the arm height* (p.11)

### 15 HEIGHT ADJUST dial

Used to adjust the height of the tone arm.

- ↻ *Adjusting the arm height* (p.11)

### 16 Balance weight

Used to balance the tone arm and adjust the stylus pressure.

- ↻ *Adjustment* (p.10)

### 17 Stylus pressure adjustment ring

Used to match to the appropriate stylus pressure of the cartridge.

- ↻ *Adjusting the stylus pressure* (p.10)

### 18 Headshell stand

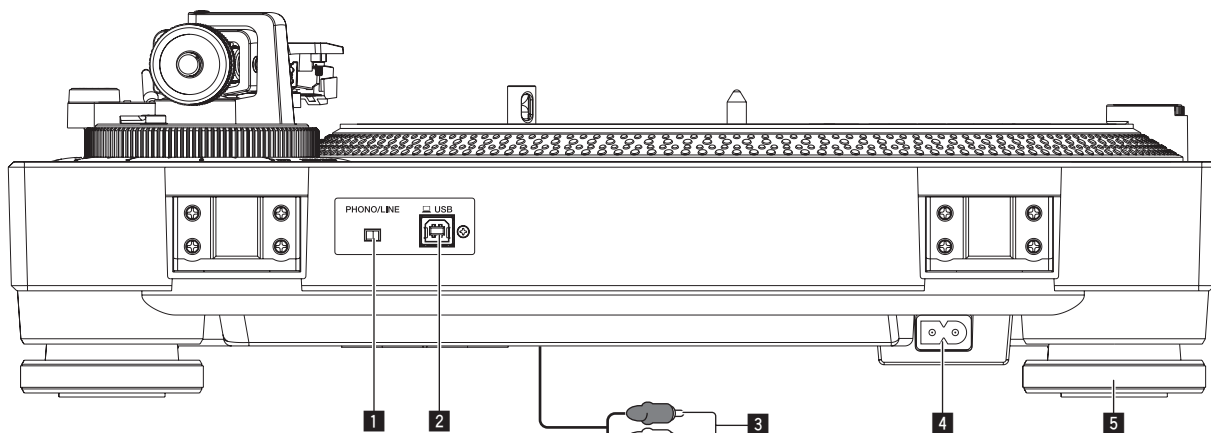
Used to stand the headshell up.

### 19 Adapter for EP record

Used to play standard EP records.

- ↻ *To play a standard EP record* (p.15)

## Rear panel



### 1 PHONO/LINE switch

Switches the level of the sound output from the unit.

- **[PHONO]**: Select this when the unit is connected with a device that supports phono level input, such as a pre-main amplifier or component.
- **[LINE]**: Select this when the unit is connected with a device that supports line level input, such as a powered speakers.



### CAUTION

Do not connect the unit with a device that supports phono level input while the **PHONO/LINE** switch is in the **[LINE]** state.

### 2 USB terminal

Connect the USB cable (included) here.

- ➔ *Connecting with a computer* (p.13)

### 3 Audio cable

- ➔ *Connections* (p.12)

### 4 AC IN

Connects to a power outlet using the included power cord. Wait until all connections between the equipment are completed before connecting the power cord.

- Be sure to use the included power cord.

### 5 Insulator

Suppresses the effect of outside vibration. Turning the insulator adjusts the turntable height.

- ➔ *Adjusting the height of the main unit* (p.13)

# Adjustment

## Adjusting the tone arm balance

Because the cartridge and headshell weights differ depending on the product, the balance of the tone arm is adjusted.

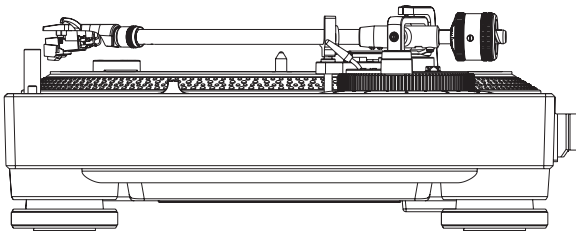
Prepare as follows.

- Remove the stylus cover and arm clamped while paying attention not to touch the stylus tip.
- Push down the lifter lever.
- Set the [ANTI SKATING] dial to "0".

### Keep the tone arm from the arm rest and adjust the balance so it is horizontal.

Turn the balance weight until the tone arm becomes almost horizontal.

- When moving the tone arm, make sure that the stylus tip does not directly touch the turntable and the like.



## Adjusting the stylus pressure

To prevent stylus jumping or sound distortion, the stylus pressure is adjusted to the appropriate stylus pressure value determined for each cartridge.

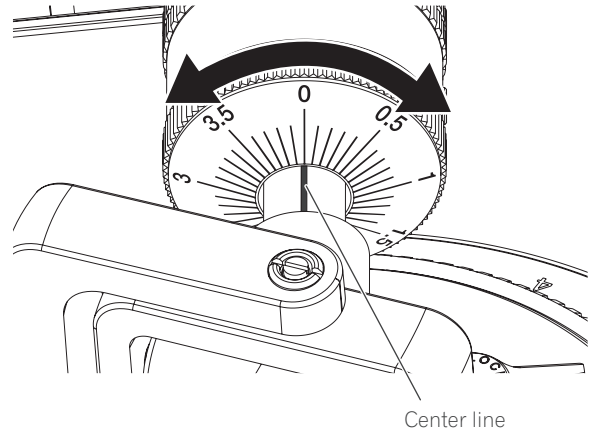
The appropriate stylus pressure value for the included cartridge is from 3.0 g to 4.0 g.

Prepare as follows.

- Return the tone arm to the arm rest and secure with the arm clamp.

### 1 Match the "0" on the stylus pressure adjustment ring to the center line of the arm rear shaft.

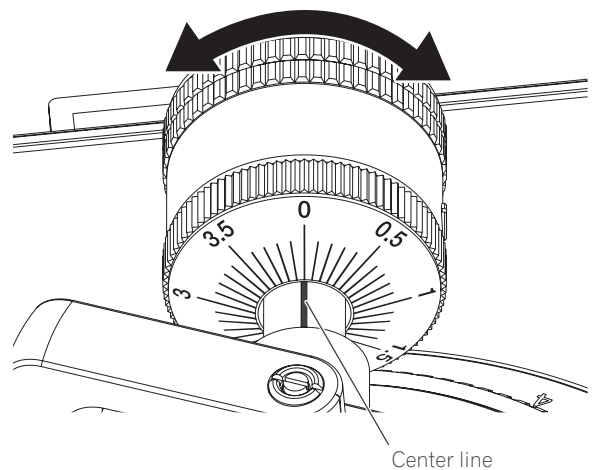
While using your finger to hold the balance weight to keep it from moving, turn only the stylus pressure adjustment ring so that the number "0" comes to the black center line of the tone arm rear shaft.



### 2 Adjust the stylus pressure.

Turn the balance weight to adjust to the appropriate stylus pressure value for your cartridge.

- When turning the balance weight, the stylus pressure adjustment ring turns together. While observing the adjustment ring, adjust the stylus pressure to the appropriate value.



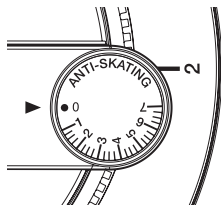


## Adjusting anti-skating

This adjustment is made to prevent stylus jumping.

### Match to the same scale position as the stylus pressure value.

Turn the [ANTI SKATING] dial to match the reference line to the same value as the cartridge stylus pressure value.



## When scratch play is performed

To prevent stylus jumping, adjust the scale position to match the play action.

## Adjusting the arm lifter height

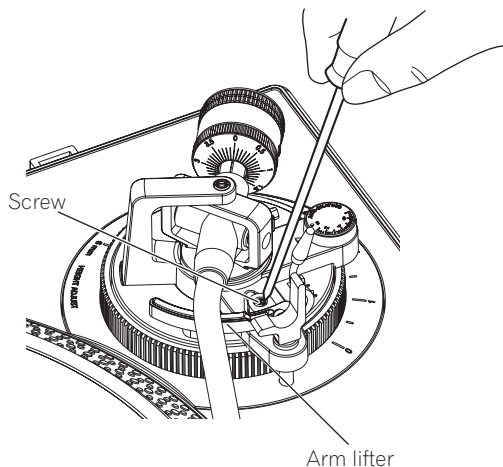
When using other than the included cartridge, adjust this to match the cartridge to be used.

Prepare as follows.

- A record is placed on a slip mat.
- Remove the stylus cover and arm clasper while paying attention not to touch the stylus tip.
- Pull up the lifter lever and move the tone arm onto the record.

### Adjust the height by turning the screw while the arm lifter is pushed down.

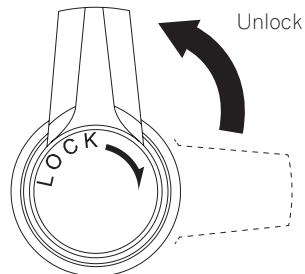
- Turning clockwise narrows the distance between the record and stylus.
- Turning counterclockwise widens the distance between the record and stylus.
- The arm lifter height (the distance between the record and stylus when the lifter lever is pulled up) is factory-adjusted in a range between approximately 8 mm and 13 mm.



## Adjusting the arm height

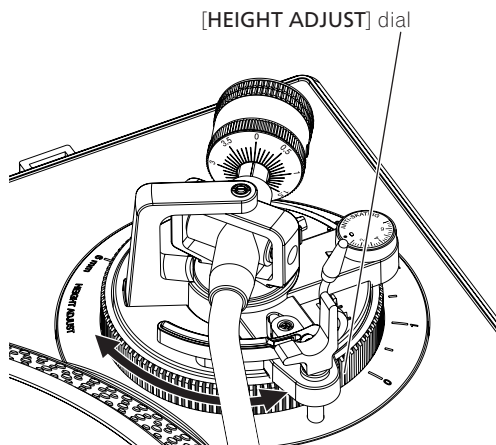
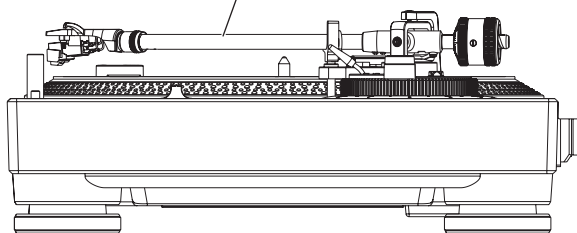
When using the included cartridge, the "0" position is appropriate. When using other than the included cartridge, adjust this to match the cartridge to be used.

### 1 Turn the [HEIGHT ADJUST] lock to unlock the lock.



### 2 Push down the lifter lever and place the stylus on the record, then adjust the [HEIGHT ADJUST] dial to make the tone arm and record parallel.

Adjust so that the tone arm becomes horizontal.



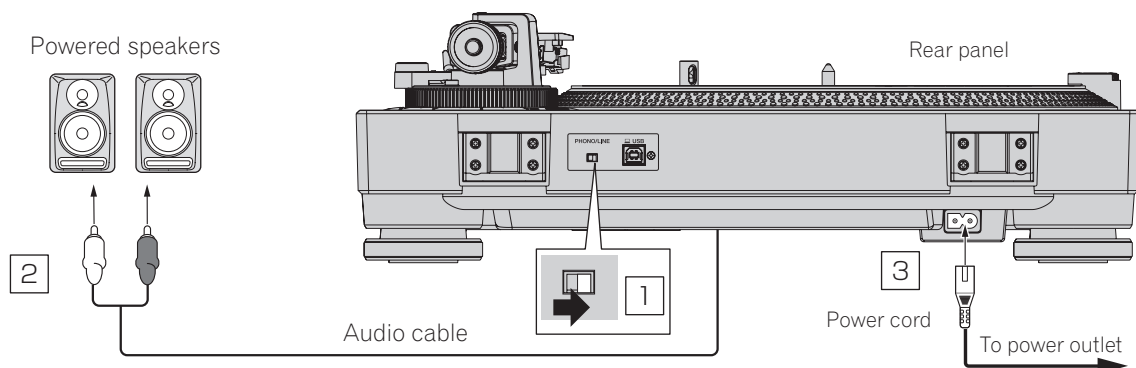
### 3 Turn the [HEIGHT ADJUST] lock to fix the height of the arm.

After adjusting height of the arm, always turn the [HEIGHT ADJUST] lock to fix the arm.

# Connections

- Be sure to turn off the power and unplug the power cord from the power outlet whenever making or changing connections.
- Refer to the operating instructions for the component to be connected.
- Connect the power cord after all the connections between devices have been completed.

## Connecting to powered speakers



**1** Set the [PHONO/LINE] switch to [LINE].

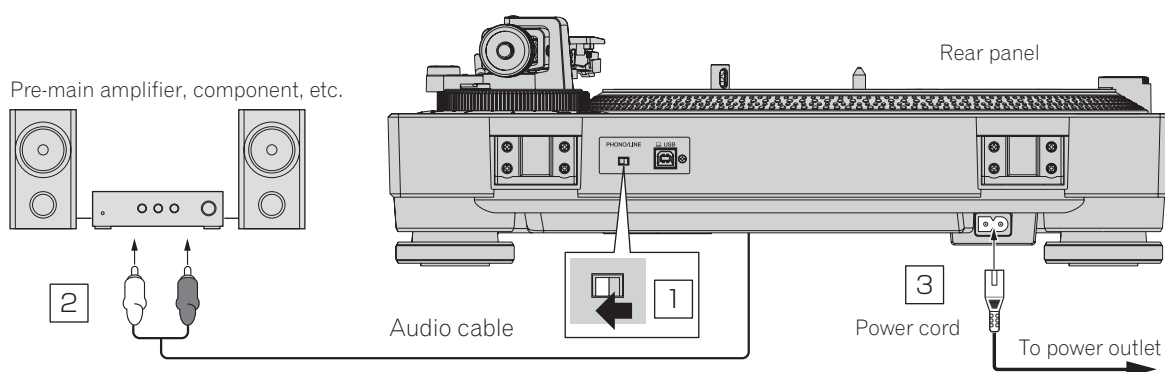
**2** Connect the audio cable to the [LINE] input terminal of the powered speakers, etc.

- If necessary, use the included audio adapter cable.

**3** Connect the power cord.

Connects to a power outlet using the included power cord. Wait until all connections between the equipment are completed before connecting the power cord.

## Connecting to a pre-main amplifier and component



**1** Set the [PHONO/LINE] switch to [PHONO].

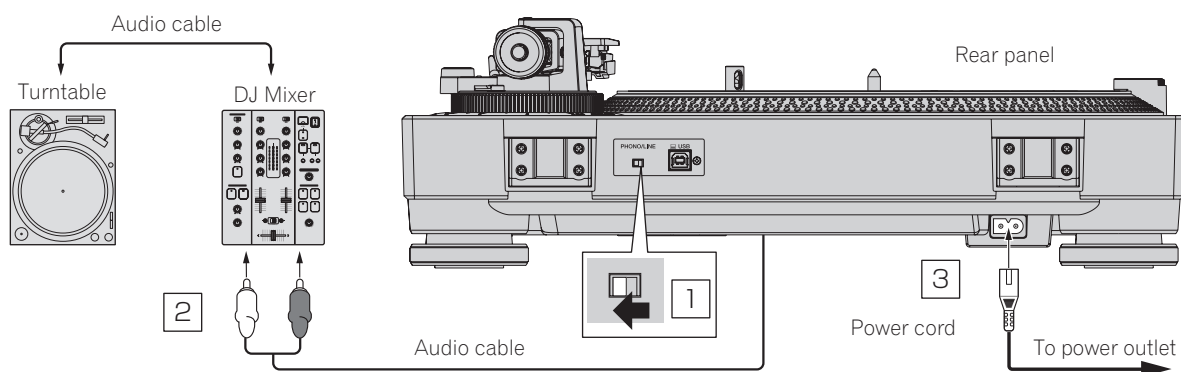
**2** Connect the audio cable to the [PHONO] input terminal of the pre-main amplifier or other component.

- If this product is connected to a pre-main amplifier or component that does not have a [PHONO] terminal, sufficient volume and sound quality cannot be obtained. In that case, set the [PHONO/LINE] switch of this unit to [LINE] and then connect this unit to the [LINE] input terminal of the pre-main amplifier or component or use a phono equalizer.

**3** Connect the power cord.

Connects to a power outlet using the included power cord. Wait until all connections between the equipment are completed before connecting the power cord.

## Connecting to a DJ mixer



**1** Set the [PHONO/LINE] switch to [PHONO].

**2** Connect the audio cable to the [PHONO] input terminal of the DJ mixer.

- If this product is connected to a DJ mixer that does not have a [PHONO] input terminal, sufficient volume and sound quality cannot be obtained. In that case, set the [PHONO/LINE] switch of this unit to [LINE] and then connect the unit to the [LINE] input terminal of the DJ mixer.

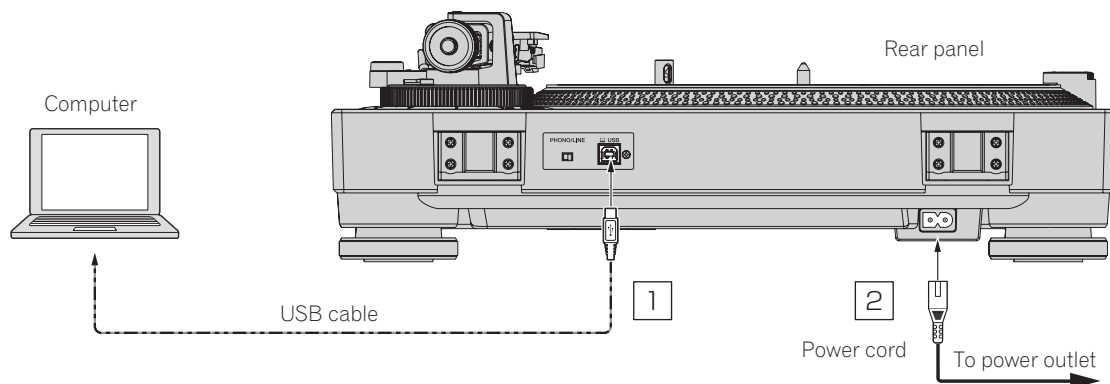
**3** Connect the power cord.

Connects to a power outlet using the included power cord. Wait until all connections between the equipment are completed before connecting the power cord.

## Connecting with a computer

USB driver software is not required for this unit.

➔ Recording (p.15)



**1** Connect the USB cable to a USB port on the computer.

**2** Connect the power cord.

Connects to a power outlet using the included power cord. Wait until all connections between the equipment are completed before connecting the power cord.

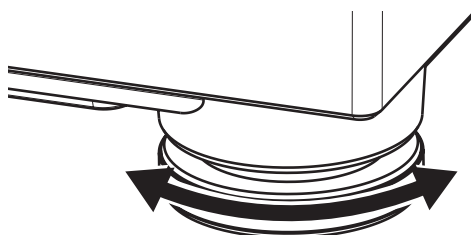
## Place of installation

Place the unit on a level surface that is free of external vibration.

- To the extent possible, keep the unit away from the speaker system.
- When the unit is very close to a radio (AM/FM broadcasting), the radio could generate noise. Keep the distance as far away from the unit as possible.

## Adjusting the height of the main unit

Adjust the height by turning the insulator in a way that the main unit is horizontal.



# Operation

## Turning the power on

**1 Make all the connections, then plug the power cord into a power outlet.**

➔ *Connections* (p.12)

**2 Change the [POWER] switch to the [ON] side to turn on the power of the unit.**

This unit's indicators light and the power turns on.

## Turning the power off

**Change the [POWER] switch to the [OFF] side to turn off the power of the unit.**

This unit's power turns off.

## Playback

Prepare as follows.

- Place a record on the turntable.
- Remove the stylus cover and arm clumper.

**1 Change the [POWER] switch to the [ON] side to turn on the power of the unit.**

**2 Select the rotation speed to match the record to be played by pressing a speed change button.**

**3 Press the [START/STOP] button.**

The turntable rotates.

**4 Pull up the lifter lever and move the tone arm onto the record.**

**5 Push down the lifter lever.**

The tone arm slowly descends and playback begins.

## Pausing playback

**Pull up the lifter lever.**

The stylus of the cartridge lifts away from the record.

- To resume playback, push down the lifter lever.

## Finishing playback

**1 Pull up the lifter lever to return the tone arm to the arm rest and then push down the lifter lever.**

**2 Press the [START/STOP] button.**

The turntable stops smoothly.

**3 Change the [POWER] switch to the [OFF] side to turn off the power of the unit.**

Use the arm clumper to secure the tone arm.

To protect the stylus tip, attach the stylus cover.

Close the dust cover.

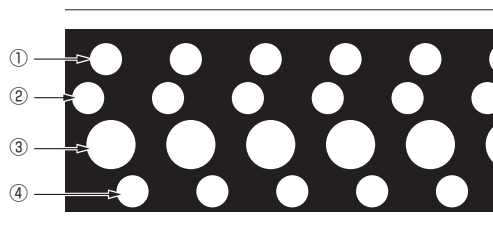
## Adjusting the pitch

**Move the [TEMPO] slider forward or backward.**

Moving the slider forward increases the rotation speed and moving it backward decreases the rotation speed.

- When the [TEMPO] slider is at the center, the indicator lights in yellow-green and the rotation speed becomes the specified rpm (33 1/3 rpm, 45 rpm, or 78 rpm).
- The scale of the [TEMPO] slider is a rough value. Please use it as a guide.
- You can confirm that the rotation speed has become the specified rpm by looking at the four rows of strobe patterns inscribed around the turntable.

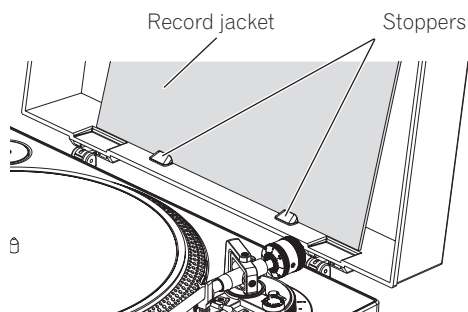
## Strobe pattern



- ① When the strobe pattern appears stopped, 33 1/3 rpm (50 Hz power supply)
  - ② When the strobe pattern appears stopped, 45 rpm (50 Hz power supply)
  - ③ When the strobe pattern appears stopped, 33 1/3 rpm (60 Hz power supply)
  - ④ When the strobe pattern appears stopped, 45 rpm (60 Hz power supply)
- A strobe illuminator (red LED light) is used to illuminate the strobe pattern of this unit. When checking the pitch, always use the strobe illuminator light.

## Displaying a record jacket

Place the record jacket behind the stoppers attached to the dust cover as shown in the figure.



- Do not place anything other than a record jacket.
- Place the record jacket secured behind the stoppers properly.
- When using this feature during playback, be careful that the record jacket does not fall. The record or stylus may be damaged.
- Be careful not to close the dust cover while a record jacket is placed on it.

## To play a standard EP record

Attach the EP record adapter to the center spindle and press the [45] button.

## Illuminating the stylus tip

When the stylus illuminator switch is pressed, the stylus illuminator lights in white and ascends to the position at which the stylus tip is illuminated.

- If it is not needed, press the stylus illuminator switch to lower it. The stylus illuminator switch goes off.
- Do not look directly at the light while the stylus illuminator is lit.

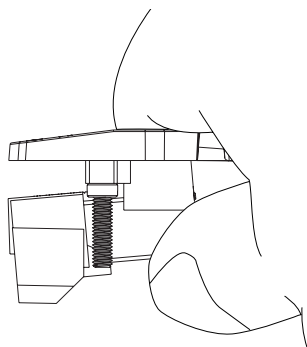
## Recording

Analog records can be digitally recorded by connecting with a computer that has the music management software "rekordbox" installed. For details, access the rekordbox product site below and see the rekordbox Operating Instructions in [Support].  
<https://rekordbox.com/en/store/>

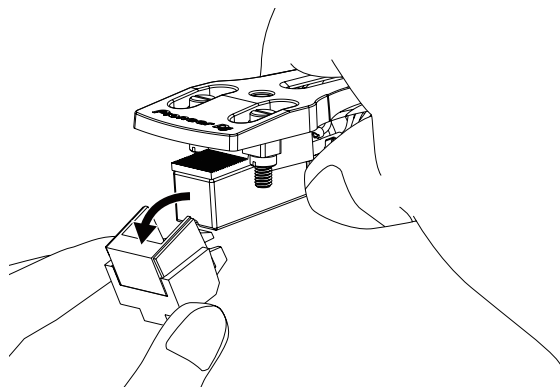
## Replacing the stylus

Check that the power is not on before performing the following procedure.

### 1 Hold the cartridge with one hand.



### 2 Remove the cartridge in the direction of the arrow while holding the stylus holder part with your other hand.



## Changing the cartridge

This unit is not compatible with MC cartridges. Use a VM cartridge or an MM cartridge.

## Removing the cartridge

- 1 Remove the screws, nuts, and washers attached to the headshell.
- 2 Disconnect the lead wires connected to the cartridge.

## Attaching the cartridge

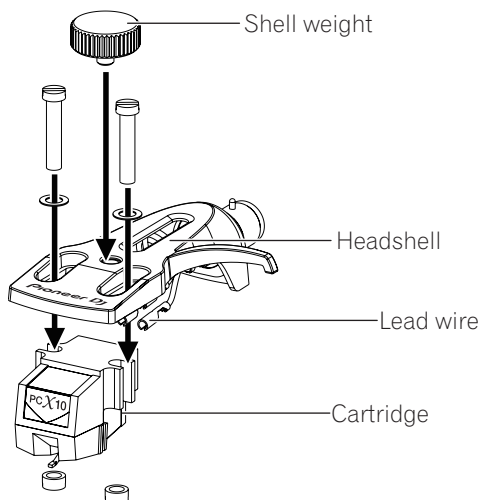
### 1 Connect the cartridge while matching the colors of the lead wires of the headshell and the symbols on the cartridge terminals.

Match the colors of the lead wires of the headshell and the symbols on the cartridge terminals as follows.

When looking from the front, the top left is L+: white, the bottom left is L-: blue, the top right is R+: red, and the bottom right is R-: green.

- Connect the lead wires securely using tweezers or the like.

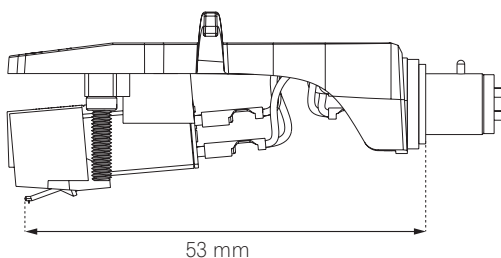
### 2 Attach the cartridge to the headshell using the screws, nuts, and washers included with the cartridge.



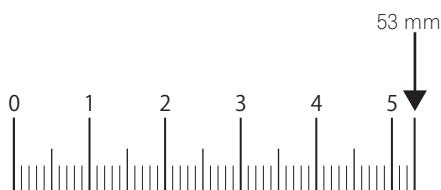
- When attaching the cartridge to the headshell, attach it properly.
- When using a cartridge between 5 g or less, use the supplied shell weight.

## Adjusting the overhang

Use the following overhang adjustment scale to adjust the position using the cartridge attaching screw so that the stylus tip comes to a position 53 mm from the tone arm attachment part.



### Overhang adjustment scale



---

---

# Additional information

---

---

## Troubleshooting

- Incorrect operation is often mistaken for trouble or malfunction. If you think that there is something wrong with this component, check the points below and the **[FAQ]** for the **[PLX-500]** on the Pioneer DJ support site.  
<http://pioneerdj.com/support/>  
Sometimes the problem may lie in another component. Inspect the other components and electrical appliances being used. If the problem cannot be rectified, ask your nearest service center or your dealer to carry out repair work.
- This unit may not operate properly due to static electricity or other external influences. In this case, proper operation may be restored by turning the power off, waiting 1 minute, then turning the power back on.

Problem	Check	Remedy
The power is not turned on.	Is the power cord properly connected?	Properly connect the included power cord to a power outlet.
	Is the <b>[POWER]</b> switch for power supply set to <b>[ON]</b> ?	Set the <b>[POWER]</b> switch for power supply to <b>[ON]</b> .
No sound or small sound.	Are the audio cables properly connected?	Connect the audio cables properly.
	Are the terminals and plugs dirty?	Clean the terminals and plugs before making connections.
	Is the headshell attached properly?	Attach the headshell properly.
The left and right sound are reversed.	Are the left and right connections for each piece of equipment reversed?	Correctly connect the audio cable and the lead wires of headshell part.
There is a low hum sound (humming or buzzing sound) during playback.	Is there an electric device such as a fluorescent lamp or its power cord near the connection cord?	Place the power cord of the fluorescent lamp or other device as far away as possible.
The stylus tip does not come down on the record.	Is the stylus pressure adjusted property?	Match the balance weight to the appropriate stylus pressure value for your cartridge.
	Is the arm horizontally balanced?	Turn the balance weight until the tone arm becomes horizontal state.
Stylus jumping occurs.	Is the stylus pressure adjusted property?	Match the balance weight to the appropriate stylus pressure value for your cartridge.
	Is the record warped or does it have scratches?	Check the condition of the record.
	Does the stylus tip have a lot of dust on it?	Remove the shell with cartridge and use a soft tip brush or writing brush to carefully remove dust, etc. from the stylus tip.
	Is anti-skating adjusted correctly?	Adjust anti-skating correctly.
	Is the arm height adjusted correctly?	Adjust the arm height correctly.
The arm stops along the way and does not go ahead.	Does the record have scratches?	Check the condition of the record.
	Is the arm coming into contact with something?	Check around the arm. If there is an obstacle, remove it.
Sound volume is low or loud (distorted).	Is the connection to the amplifier appropriate for the cartridge type (output)?	Connect the connection cables properly.
	Is the setting of the <b>[PHONO/LINE]</b> switch correct?	Set the <b>[PHONO/LINE]</b> switch correctly according to the input terminal of the connected device.
The rotating turntable shakes a lot.	Dirt, etc. is adhered to the attachment parts of the turntable and center spindle.	Remove the dirt.

---

---

## Cautions on use

---

---

### About condensation

Water droplets (condensation) may form inside the unit (on operating parts and lenses) in the winter, for example, if the unit is moved from a cold place into a warm room or if the temperature in the room in which the unit is installed rises suddenly (through heating, etc.). The unit will not operate properly and will not be playable with condensation inside. Let the unit stand for 1 to 2 hours at room temperature (though this time depends on the conditions of the condensation) without turning on the power. The water droplets will evaporate and the unit will become playable. Condensation can occur in the summer as well if the unit is exposed to the direct wind from an air-conditioner, etc. If this happens, move the unit to a different location.

---

---

### When transporting the unit to another location

Use the original packing materials to pack the unit.  
If the original packing materials are not available, be sure to perform the following.

- Detach the slip mat and turntable before packing.
- Detach the headshell and balance weight from the arm and pack carefully.
- Use the arm clamper to secure the tone arm and use tape to secure it so that it does not move.
- Wrap the main unit in a blanket or soft paper so that it will not be damaged.
- Pack so that a force will not be applied to the tone arm.

---

---

### Maintenance of each part

When attaching and detaching the headshell, turn off the power of the amplifier.

If you attempt to do so while the volume is loud, the speaker could be damaged.

- Remove the shell with cartridge and use a soft tip brush or writing brush to carefully remove dust, etc. from the stylus tip.
- Use a good quality record cleaner to clean records.
- Use a soft cloth or something similar to clean the headshell terminal and then reattach it to the tone arm.

## Cleaning the dust cover, etc.

Use a soft cloth to clean the dust cover and cabinet

- Do not clean the dust cover while playing. Static electricity could cause the tone arm to be pulled by the dust cover.

## About trademarks and registered trademarks

- "Pioneer DJ" is a trademark of PIONEER CORPORATION, and is used under license.
- rekordbox is a trademark or registered trademark of the Pioneer DJ Corporation.

The names of companies and products mentioned herein are trademarks or registered trademarks of their respective owners.

## Specifications

Power requirements .....	AC 110 V to 120 V or 220 V to 240 V, 50 Hz/60 Hz
Power consumption.....	11 W
Main unit weight .....	10.7 kg
Max. external dimensions ...	450 mm (W) × 158.5 mm (H) × 367.5 mm (D)
Tolerable operating temperature .....	+5 °C to +35 °C
Tolerable operating humidity .....	5 % to 85 % (no condensation)

### Turntable part

Drive method .....	Servo type direct drive
Motor .....	3-phase brushless DC motor
Braking system .....	Electronic brake
Rotation speed .....	33 1/3 rpm, 45 rpm, 78 rpm
Rotation speed adjustment range .....	±8 %
Wow and flutter.....	0.15 % or less WRMS
S/N ratio.....	50 dB or higher
Turntable.....	Aluminum die-casting Diameter: 332 mm
Starting torque .....	1.6 kg·cm or more
Starting time.....	1 second or less (at 33 1/3 rpm)

### Tone arm part

Arm type .....	Universal type S-shape tone arm, gimbal-supported type bearing structure, static balance type
Effective length.....	230.5 mm
Overhang .....	16 mm
Tracking error.....	Within 3°
Arm height adjustment range.....	6 mm
Stylus pressure variable range.....	0 g to 4.0 g (1 scale 0.1 g)
Proper cartridge weight.....	9.5 g or less (single cartridge)
Cartridge type.....	VM

### Output voltage

<b>PHONO</b> .....	2.5 mV/1 kHz
<b>LINE</b> .....	150 mV/1 kHz

— The specifications and design of this product are subject to change without notice.

- © 2016 Pioneer DJ Corporation. All rights reserved.



Si vous souhaitez vous débarrasser de cet appareil, ne le mettez pas à la poubelle avec vos ordures ménagères. Il existe un système de collecte séparé pour les appareils électroniques usagés, qui doivent être récupérés, traités et recyclés conformément à la législation.

Les habitants des états membres de l'UE, de Suisse et de Norvège peuvent retourner gratuitement leurs appareils électroniques usagés aux centres de collecte agréés ou à un détaillant (si vous rachetez un appareil similaire neuf).

Dans les pays qui ne sont pas mentionnés ci-dessus, veuillez contacter les autorités locales pour savoir comment vous pouvez vous débarrasser de vos appareils.

Vous garantirez ainsi que les appareils dont vous vous débarrassez sont correctement récupérés, traités et recyclés et préviendrez de cette façon les impacts néfastes possibles sur l'environnement et la santé humaine.

K058b\_A1\_Fr

## ATTENTION

POUR ÉVITER TOUT RISQUE D'ÉLECTROCUTION, NE PAS ENLEVER LE COUVERCLE (NI LE PANNEAU ARRIÈRE). AUCUNE PIÈCE RÉPARABLE PAR L'UTILISATEUR NE SE TROUVE À L'INTÉRIEUR. CONFIER TOUT ENTRETIEN À UN PERSONNEL QUALIFIÉ UNIQUEMENT.

D3-4-2-1-1\_B1\_Fr

## AVERTISSEMENT

Cet appareil n'est pas étanche. Pour éviter les risques d'incendie et de décharge électrique, ne placez près de lui un récipient rempli d'eau, tel qu'un vase ou un pot de fleurs, et ne l'exposez pas à des gouttes d'eau, des éclaboussures, de la pluie ou de l'humidité.

D3-4-2-1-3\_A1\_Fr

## AVERTISSEMENT

Pour éviter les risques d'incendie, ne placez aucune flamme nue (telle qu'une bougie allumée) sur l'appareil.

D3-4-2-1-7a\_A1\_Fr

## Milieu de fonctionnement

Température et humidité du milieu de fonctionnement : De +5 °C à +35 °C (de +41 °F à +95 °F) ; Humidité relative inférieure à 85 % (orifices de ventilation non obstrués)

N'installez pas l'appareil dans un endroit mal ventilé ou un lieu soumis à une forte humidité ou en plein soleil (ou à une forte lumière artificielle).

D3-4-2-1-7c\*\_A1\_Fr

## PRÉCAUTION DE VENTILATION

Lors de l'installation de l'appareil, veillez à laisser un espace suffisant autour de ses parois de manière à améliorer la dissipation de chaleur (au moins 15 cm sur le dessus, 5 cm à l'arrière et 5 cm de chaque côté).

## AVERTISSEMENT

Les fentes et ouvertures du coffret sont prévues pour la ventilation, pour assurer un fonctionnement stable de l'appareil et pour éviter sa surchauffe. Pour éviter les risques d'incendie, ne bouchez jamais les ouvertures et ne les recouvrez pas d'objets, tels que journaux, nappes ou rideaux, et n'utilisez pas l'appareil posé sur un tapis épais ou un lit.

D3-4-2-1-7b\*\_A1\_Fr

Ce produit est destiné à une utilisation domestique générale. Toute panne due à une utilisation autre qu'à des fins privées (comme une utilisation à des fins commerciales dans un restaurant, dans un autocar ou sur un bateau) et qui nécessite une réparation sera aux frais du client, même pendant la période de garantie.

K041\_A1\_Fr

## NOTE IMPORTANTE SUR LE CABLE D'ALIMENTATION

Tenir le câble d'alimentation par la fiche. Ne pas débrancher la prise en tirant sur le câble et ne pas toucher le câble avec les mains mouillées. Cela risque de provoquer un court-circuit ou un choc électrique. Ne pas poser l'appareil ou un meuble sur le câble. Ne pas pincer le câble. Ne pas faire de noeud avec le câble ou l'attacher à d'autres câbles. Les câbles d'alimentation doivent être posés de façon à ne pas être écrasés. Un câble abîmé peut provoquer un risque d'incendie ou un choc électrique. Vérifier le câble d'alimentation de temps en temps. Contacter le service après-vente le plus proche ou le revendeur pour un remplacement.

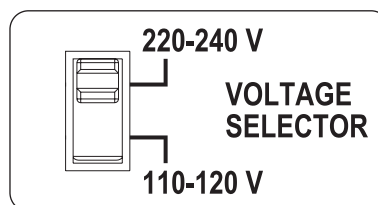
S002\*\_A1\_Fr

## Sélecteur de tension

Le sélecteur de tension se trouve sur le panneau supérieur des modèles multi-tension.

**Le réglage d'usine du sélecteur de tension est 220-240 V. Réglez-le sur la tension adaptée à votre pays ou région.**

Avant de changer la tension, débranchez le cordon d'alimentation secteur. Utilisez un tournevis de taille moyenne pour changer le sélecteur de tension.



D3-4-2-1-5\*\_A2\_Fr



**ATTENTION**

L'interrupteur **POWER** de cet appareil ne coupe pas complètement celui-ci de sa prise secteur. Comme le cordon d'alimentation fait office de dispositif de déconnexion du secteur, il devra être débranché au niveau de la prise secteur pour que l'appareil soit complètement hors tension. Par conséquent, veillez à installer l'appareil de telle manière que son cordon d'alimentation puisse être facilement débranché de la prise secteur en cas d'accident. Pour éviter tout risque d'incendie, le cordon d'alimentation sera débranché au niveau de la prise secteur si vous prévoyez une période prolongée de non utilisation (par exemple avant un départ en vacances).

D3-4-2-2-2a\*\_A1\_Fr

---

---

# Sommaire

## Comment lire ce manuel

- Merci d'avoir acheté ce produit Pioneer DJ.  
Veillez à lire ce manuel car il contient des informations importantes qui doivent être comprises avant d'utiliser ce produit.  
Cela fait, conservez le mode d'emploi de façon à pouvoir vous y référer en cas de nécessité.
- Dans ce manuel, les noms des touches et des prises de l'appareil principal apparaissent entre crochets ([ ]).  
Exemples :  
Appuyez sur la touche **[START/STOP]**.

## 01 Informations préliminaires

Caractéristiques.....	5
Contenu du carton d'emballage .....	5

## 02 Avant de commencer

Installation de rekordbox (Mac/Windows) .....	6
Montage.....	6

## 03 Noms et fonctions des éléments

Panneau supérieur.....	8
Panneau arrière.....	9

## 04 Réglage

Réglage de l'équilibre du bras de lecture.....	10
Réglage de la pression de la pointe de lecture .....	10
Réglage de l'antipatinage .....	11
Réglage de la hauteur du système de levage du bras.....	11
Réglage de la hauteur du bras .....	11

## 05 Raccordements

Raccordement à des enceintes amplifiées.....	12
Raccordement à un préamplificateur principal et à un composant ...	12
Raccordement à une table de mixage DJ .....	13
Raccordement à un ordinateur.....	13
Emplacement du lecteur .....	13
Réglage de la hauteur de l'appareil principal.....	13

## 06 Fonctionnement

Mise sous tension.....	14
Mise hors tension .....	14
Lecture .....	14
Pause de la lecture .....	14
Fin de la lecture.....	14
Réglage du pitch.....	14
Affichage d'une pochette de disque .....	14
Pour la lecture de disques 45 tours standard .....	15
Éclairage de l'extrémité de la pointe de lecture.....	15
Enregistrement .....	15
Remplacement de la pointe de lecture.....	15
Changement de cellule.....	15

## 07 Informations supplémentaires

En cas de panne .....	16
Précautions d'emploi .....	16
Entretien de chaque élément .....	17
À propos des marques commerciales et des marques déposées.....	17
Spécifications.....	17

---

---

# Informations préliminaires

---

---

## Caractéristiques

Cet appareil est une platine à entraînement direct et couple élevé que vous pouvez utiliser dans de nombreuses applications allant de l'écoute à la maison au DJing.

---

## Son des disques vinyles de qualité supérieure

La trajectoire entre la pointe de lecture et la sortie **PHONO/LINE** a été conçue pour être la plus courte afin de pouvoir reproduire fidèlement la qualité sonore d'origine des disques vinyles.

En outre, étant donné que les deux sorties **PHONO** et **LINE** sont prises en charge, vous pouvez facilement bénéficier d'une grande qualité de son des disques vinyles par un simple branchement direct sur les enceintes amplifiées.

---

## Simplicité d'enregistrement numérique

Une prise **USB-B** est prévue pour brancher directement cet appareil sur un PC ou un Mac, puis pour enregistrer les sources audio des disques vinyles sur le PC ou le Mac en les convertissant en données. L'enregistrement numérique par une simple opération peut être réalisé à l'aide de la fonction d'enregistrement de l'application gratuite de gestion musicale « rekordbox » (Ver.4.2.1 ou ultérieure) pendant l'enregistrement.

---

## Platine à entraînement direct pour une prestation DJ

L'adoption d'un système à entraînement direct et couple élevé signifie que vous pouvez effectuer un mixage de morceau, un scratching et d'autres prestations DJ en combinant deux de ces appareils à une table de mixage DJ.

---

## Le capot anti-poussière peut servir de support pour une pochette de disque

Une pochette de disque peut être affichée sur le capot anti-poussière lorsque celui-ci est ouvert. Vous profitez ainsi du son du disque vinyle tout en regardant sa pochette.

## Contenu du carton d'emballage

- Plateau
- Feutrine
- Capot anti-poussière
- Adaptateur pour disque 45 tours
- Contrepoids d'équilibrage
- Porte-cellule (cellule incluse)
- Contrepoids de porte-cellule
- Cordon d'alimentation
- Câble USB
- Câble d'adaptateur audio (jack à broches stéréo (femelle) vers mini-jack stéréo (mâle))
- Garantie (pour certaines régions)<sup>[1]</sup>
- Mode d'emploi (ce document)

[1] La garantie incluse est destinée à la région européenne.

### AVERTISSEMENT

Gardez les pièces de petite taille hors de la portée des bébés et des enfants. En cas d'ingestion accidentelle, veuillez contacter immédiatement un médecin.

D41-6-4\_A1\_Fr

# Avant de commencer

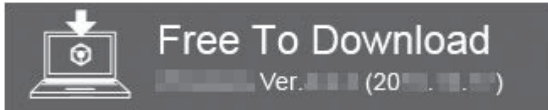
## Installation de rekordbox (Mac/Windows)

### 1 Accédez à rekordbox.com.

<https://rekordbox.com/fr/store/>

- La page de contenu est soumise à modification sans notification préalable.

### 2 Consultez le guide de démarrage, puis cliquez sur [Téléchargement].



### 3 Lisez attentivement l'Accord de licence du logiciel et cochez la case [Accepter] si vous acceptez.

Lorsque vous cochez la case, [Téléchargement] peut être sélectionné.

### 4 Cliquez sur [Téléchargement].

Le téléchargement de rekordbox (Mac/Windows) commence.

### 5 Double-cliquez sur le fichier téléchargé pour le décompresser.

### 6 Double-cliquez sur le fichier décompressé pour lancer le programme d'installation.

### 7 Lisez attentivement l'Accord de licence du logiciel, et passez à l'installation en fonction des instructions qui apparaissent à l'écran si vous l'acceptez.

- Si vous n'acceptez pas le contenu de l'Accord de licence du logiciel, annulez l'installation.

### 8 Lorsque l'écran de fin de l'installation apparaît, suivez les instructions qui apparaissent à l'écran pour fermer le programme d'installation.

L'installation est terminée.

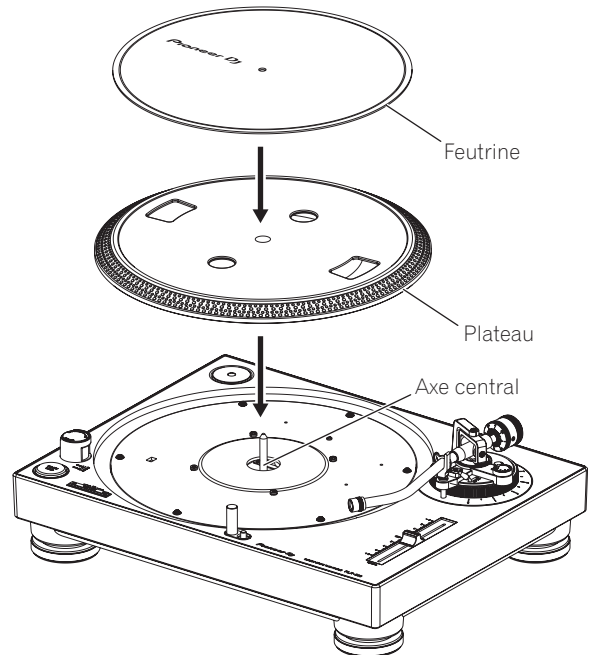
- Pour pouvoir utiliser rekordbox dj, rekordbox dvs et rekordbox video, une activation (authentification de licence) est nécessaire. Pour plus d'informations, reportez-vous au mode d'emploi de rekordbox. <https://rekordbox.com/fr/support/manual.php>

## Montage

### 1 Installez le plateau et la feutrine.

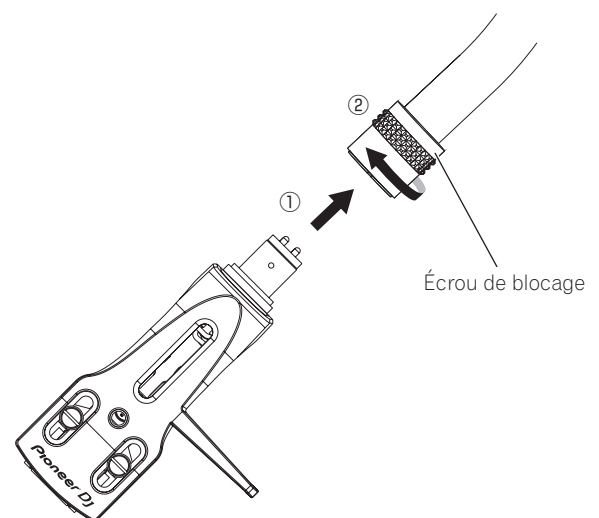
Positionnez le plateau sur l'axe central et placez la feutrine sur le dessus du plateau.

- Veillez à ne pas heurter le plateau sur l'appareil principal ou à ne pas le laisser tomber.

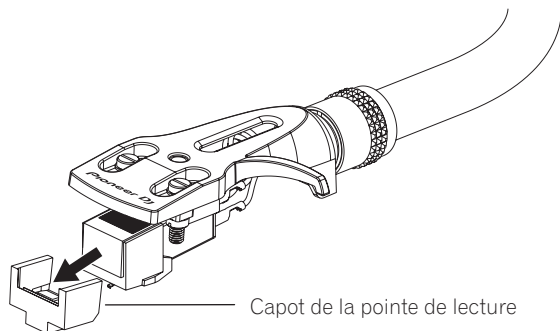


### 2 Fixez le porte-cellule.

Insérez le porte-cellule avec la cellule installée dans le bras de lecture. Ensuite, serrez l'écrou de blocage tout en maintenant le porte-cellule à l'horizontale.

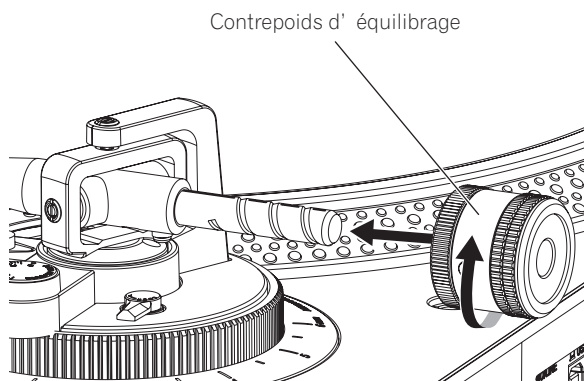


- Avant l'utilisation, retirez le capot de la pointe de lecture sans toucher la pointe.



### 3 Fixez le contreponds d'équilibrage.

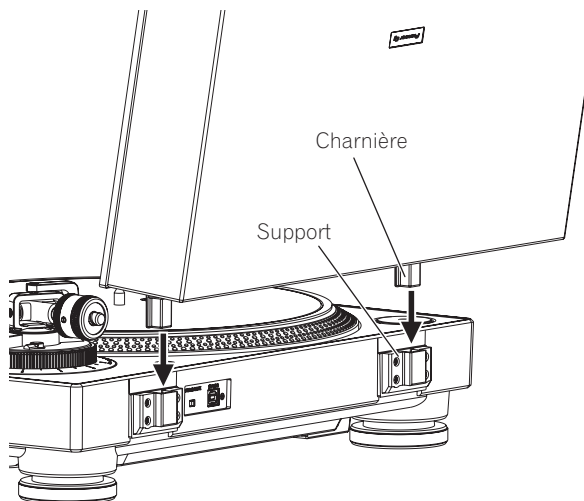
Fixez le contreponds d'équilibrage sur l'arbre arrière du bras de lecture.



### Installez le capot anti-poussière.

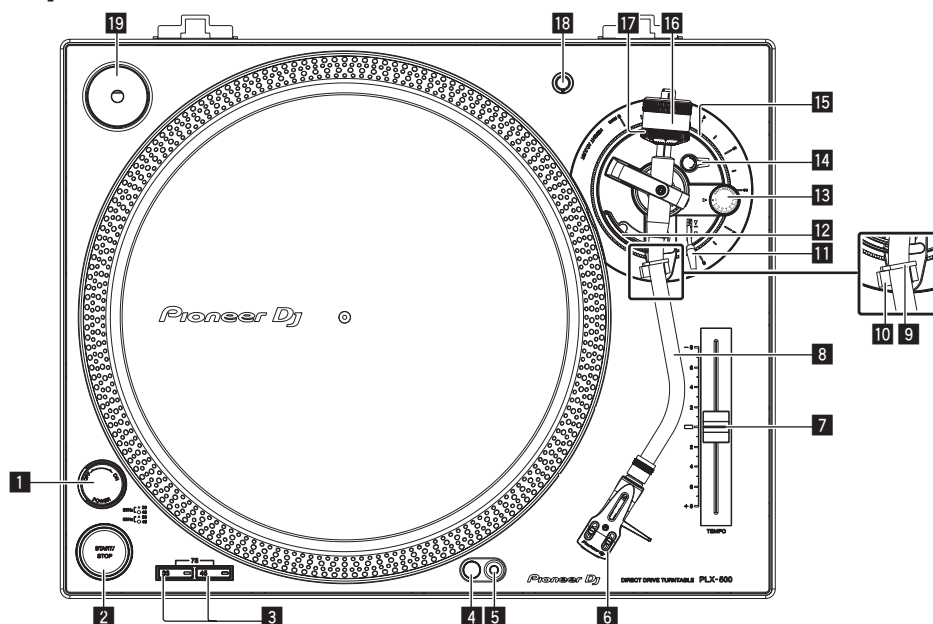
**Insérez les charnières du capot anti-poussière dans les supports situés à l'arrière de cet appareil.**

Lors du retrait du capot anti-poussière, tirez les charnières vers le haut alors que le capot anti-poussière est ouvert.



# Noms et fonctions des éléments

## Panneau supérieur



### 1 Commutateur POWER

En tournant l'interrupteur sur [ON], l'appareil est mis sous tension et l'éclairage stroboscopique sur le côté s'allume.

- ↪ Mise sous tension (p.14)
- Mise hors tension (p.14)

### 2 Touche START/STOP

L'appui sur cette touche démarre ou arrête la rotation du plateau.

- ↪ Lecture (p.14)

### 3 Touche de changement de vitesse

Change la vitesse en fonction du disque à lire.

- Pour un disque 33 1/3 tours, appuyez sur la touche [33].
- Pour un disque 45 tours, appuyez sur la touche [45].
- Pour un disque 78 tours, appuyez sur la touche [33] et sur la touche [45] simultanément.

- ↪ Lecture (p.14)

### 4 Dispositif d'éclairage de la pointe de lecture

S'allume pour éclairer l'extrémité de la pointe de lecture.

- ↪ Éclairage de l'extrémité de la pointe de lecture (p.15)

### 5 Interrupteur du dispositif d'éclairage de la pointe de lecture

Le dispositif d'éclairage de la pointe de lecture s'allume en blanc et monte jusqu'à la position permettant d'éclairer l'extrémité de la pointe de lecture.

- ↪ Éclairage de l'extrémité de la pointe de lecture (p.15)

### 6 Porte-cellule

### 7 Curseur TEMPO

Vous pouvez faire glisser le curseur d'avant en arrière pour effectuer un réglage précis de la vitesse de rotation.

- ↪ Réglage du pitch (p.14)

### 8 Bras de lecture

- ↪ Réglage (p.10)

### 9 Serre-bras

Maintient le bras de lecture en place.

### 10 Repose-bras

Sert de support pour le bras de lecture.

### 11 Levier de levage

Le bras de lecture monte lorsque le levier est tiré vers le haut. Le bras de lecture descend lorsque le levier est poussé vers le bas.

### 12 Système de levage du bras

Ce dispositif est utilisé pour déplacer le bras de lecture de haut en bas. Il est commandé par le levier de levage.

### 13 Molette ANTI SKATING

Quand un disque est lu, une force attire l'extrémité de la pointe de lecture vers l'intérieur du disque. En faisant correspondre cette molette à la valeur de la pression de la pointe de lecture, cette force est supprimée.

- ↪ Réglage de l'antipatinage (p.11)

### 14 Verrouillage HEIGHT ADJUST

Verrouille la hauteur réglée du bras.

- ↪ Réglage de la hauteur du bras (p.11)

### 15 Molette HEIGHT ADJUST

Permet de régler la hauteur du bras de lecture.

- ↪ Réglage de la hauteur du bras (p.11)

### 16 Contrepoids d'équilibrage

Permet d'équilibrer le bras de lecture et de régler la pression de la pointe de lecture.

- ↪ Réglage (p.10)

### 17 Bague de réglage de la pression de la pointe de lecture

Permet de faire correspondre la pression de la pointe de lecture appropriée de la cellule.

- ↪ Réglage de la pression de la pointe de lecture (p.10)

### 18 Emplacement pour porte-cellule

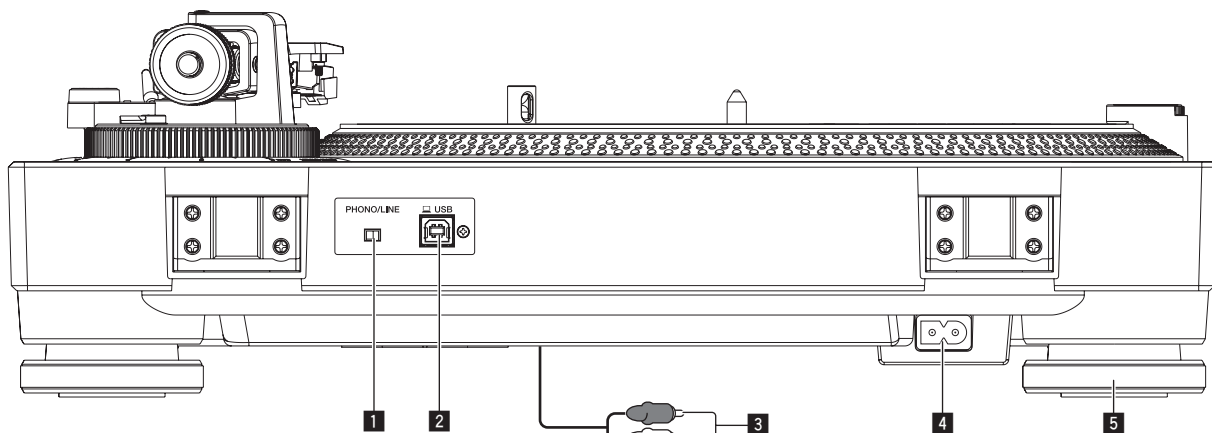
Permet de poser un porte-cellule.

### 19 Adaptateur pour disque 45 tours

Permet de lire des disques 45 tours standard.

- ↪ Pour la lecture de disques 45 tours standard (p.15)

## Panneau arrière



### 1 Commutateur PHONO/LINE

Permet de changer le niveau du son provenant de l'appareil.

- **[PHONO]** : Sélectionnez cette option lorsque l'appareil est raccordé à un dispositif prenant en charge l'entrée de niveau phono, un préamplificateur principal ou un composant par exemple.
- **[LINE]** : Sélectionnez cette option lorsque l'appareil est raccordé à un dispositif prenant en charge l'entrée de niveau de ligne, des enceintes amplifiées par exemple.

### ATTENTION

Ne raccordez pas l'appareil à un dispositif prenant en charge le niveau d'entrée phono lorsque le commutateur **PHONO/LINE** est à l'état **[LINE]**.

### 2 Prise USB

Raccordez le câble USB (fourni) ici.

- ➔ *Raccordement à un ordinateur* (p.13)

### 3 Câble audio

- ➔ *Raccordements* (p.12)

### 4 AC IN

À relier à une prise d'alimentation avec le cordon d'alimentation fourni. Avant de brancher le cordon d'alimentation, assurez-vous que tous les autres appareils sont raccordés.

- Veillez à utiliser le cordon d'alimentation fourni.

### 5 Isolant

Supprime l'effet des vibrations extérieures. Vous pouvez régler la hauteur de la platine en tournant les pieds isolants.

- ➔ *Réglage de la hauteur de l'appareil principal* (p.13)

# Réglage

## Réglage de l'équilibre du bras de lecture

Étant donné que les poids de la cellule et du porte-cellule diffèrent selon le produit, l'équilibre du bras de lecture doit être réglé.

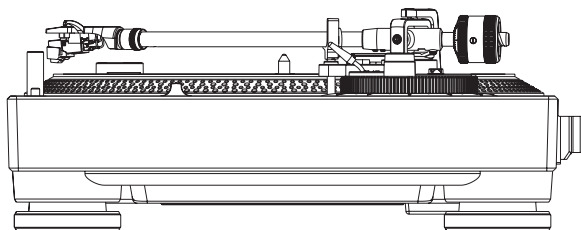
Préparez comme suit.

- Retirez le couvercle de la pointe de lecture et le serre-bras tout en veillant à ne pas toucher l'extrémité de la pointe de lecture.
- Poussez le levier de levage vers le bas.
- Réglez la molette [ANTI SKATING] sur "0".

### Éloignez le bras de lecture du repose-bras et réglez l'équilibre pour qu'il soit horizontal.

Tournez le contrepoids d'équilibrage jusqu'à ce que le bras de lecture devienne presque horizontal.

- Lors du déplacement du bras de lecture, assurez-vous que l'extrémité de la pointe de lecture ne touche pas directement le plateau, etc.



## Réglage de la pression de la pointe de lecture

Afin d'éviter les sauts de la pointe de lecture ou la distorsion du son, la pression de la pointe de lecture est réglée sur la valeur de la pression de la pointe de lecture appropriée qui est déterminée pour chaque cellule.

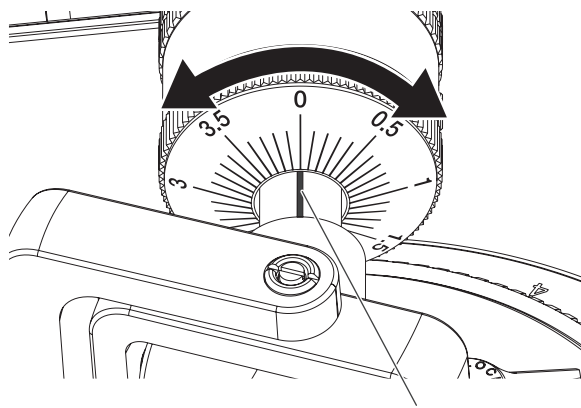
La valeur de pression appropriée de la pointe de lecture de la cellule fournie est comprise entre 3,0 et 4,0 g.

Préparez comme suit.

- Ramenez le bras de lecture sur le repose-bras et fixez-le avec le serre-bras.

### 1 Faites correspondre le "0" sur la bague de réglage de la pression de la pointe de lecture avec la ligne médiane de l'arbre arrière du bras de lecture.

Tournez uniquement la bague de réglage de la pression de la pointe de lecture de sorte que le chiffre "0" soit sur la ligne médiane noire de l'arbre arrière du bras de lecture tout en maintenant le contrepoids d'équilibrage avec votre doigt pour l'empêcher de bouger.

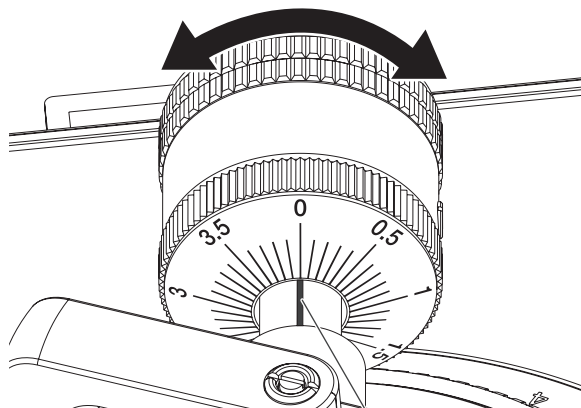


Ligne médiane

### 2 Réglez la pression de la pointe de lecture.

Tournez le contrepoids d'équilibrage pour faire le réglage sur la valeur de la pression de la pointe de lecture appropriée pour votre cellule.

- Lorsque vous tournez le contrepoids d'équilibrage, la bague de réglage de la pression de la pointe de lecture tourne en même temps. Tout en observant la bague de réglage, réglez la pression de la pointe de lecture à la valeur appropriée.



Ligne médiane

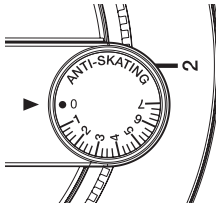


## Réglage de l'antipatinage

Ce réglage permet d'empêcher la pointe de lecture de sauter.

### Faites correspondre à la même position de la graduation que la valeur de la pression de la pointe de lecture.

Tournez la molette [ANTI SKATING] pour faire correspondre la ligne de référence avec la même valeur de la pression de la pointe de lecture de la cellule.



## Lors du scratching

Afin d'éviter les sauts de la pointe de lecture, réglez la position de la graduation en fonction de l'utilisation.

## Réglage de la hauteur du système de levage du bras

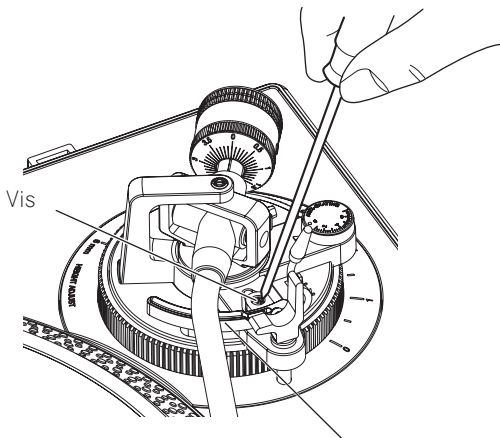
Lorsque vous utilisez une cellule autre que celle fournie, réglez cette pression en fonction de la cellule utilisée.

Préparez comme suit.

- Posez un disque sur la feutrine.
- Retirez le couvercle de la pointe de lecture et le serre-bras tout en veillant à ne pas toucher l'extrémité de la pointe de lecture.
- Tirez le levier de levage vers le haut et déplacez le bras de lecture sur le disque.

### Réglez la hauteur en tournant la vis lorsque le système de levage du bras est abaissé.

- Tourner dans le sens horaire réduit la distance entre le disque et la pointe de lecture.
- Tourner dans le sens antihoraire agrandit la distance entre le disque et la pointe de lecture.
- La hauteur du système de levage du bras (la distance entre le disque et la pointe de lecture lorsque le levier de levage est tiré vers le haut) est réglé en usine dans une plage entre environ 8 mm et 13 mm.

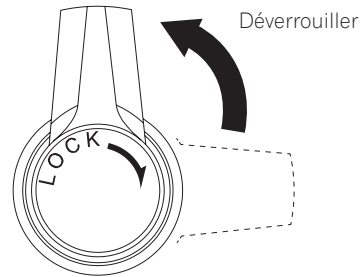


Système de levage du bras

## Réglage de la hauteur du bras

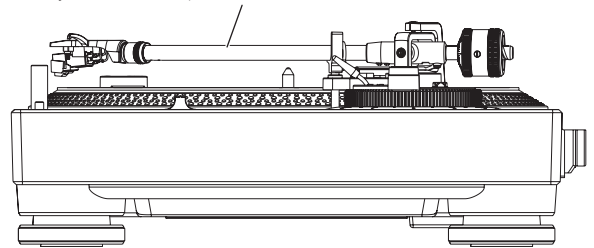
Lorsque vous utilisez la cellule fournie, la position « 0 » est appropriée. Lorsque vous utilisez une cellule autre que celle fournie, réglez cette pression en fonction de la cellule utilisée.

### 1 Tournez le verrouillage [HEIGHT ADJUST] pour le déverrouiller.

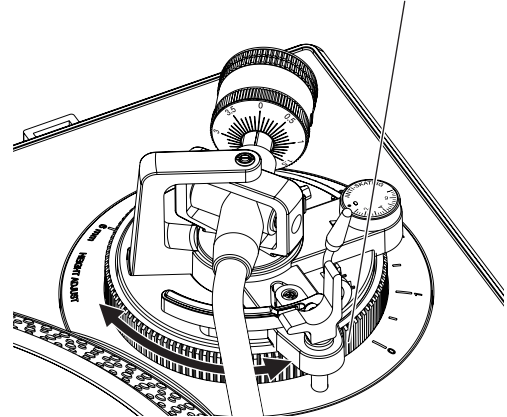


### 2 Poussez le levier de levage vers le bas et posez la pointe de lecture sur le disque, puis réglez la molette [HEIGHT ADJUST] de sorte que le bras de lecture et le disque soient parallèles.

Ajustez de sorte que le bras de lecture soit à l' horizontale.



Molette [HEIGHT ADJUST]



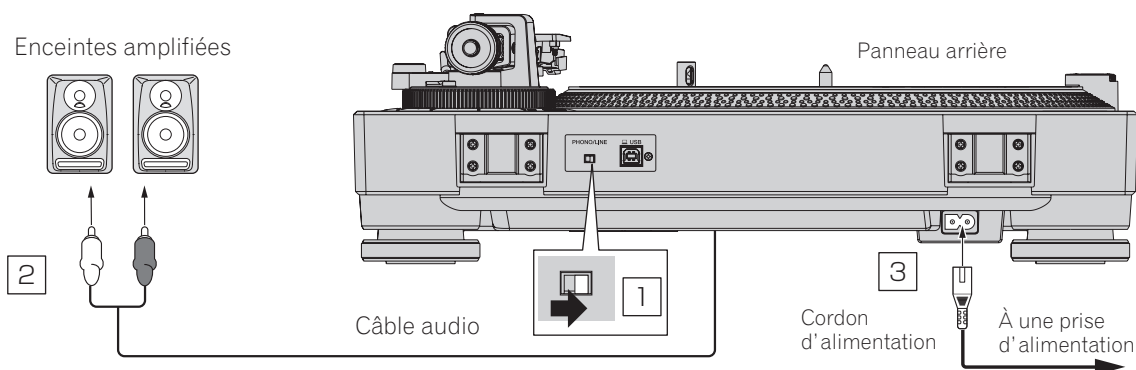
### 3 Tournez le verrouillage [HEIGHT ADJUST] pour fixer la hauteur du bras.

Une fois la hauteur du bras réglée, il faut toujours tourner le verrouillage [HEIGHT ADJUST] pour fixer le bras.

# Raccordements

- Veillez à toujours éteindre les appareils et à débrancher le cordon d'alimentation de la prise secteur avant de raccorder un appareil ou de changer les liaisons.
- Reportez-vous au mode d'emploi de l'appareil devant être raccordé.
- Lorsque tous les appareils ont été raccordés, vous pouvez brancher le cordon d'alimentation.

## Raccordement à des enceintes amplifiées



**1 Réglez la commande [PHONO/LINE] sur [LINE].**

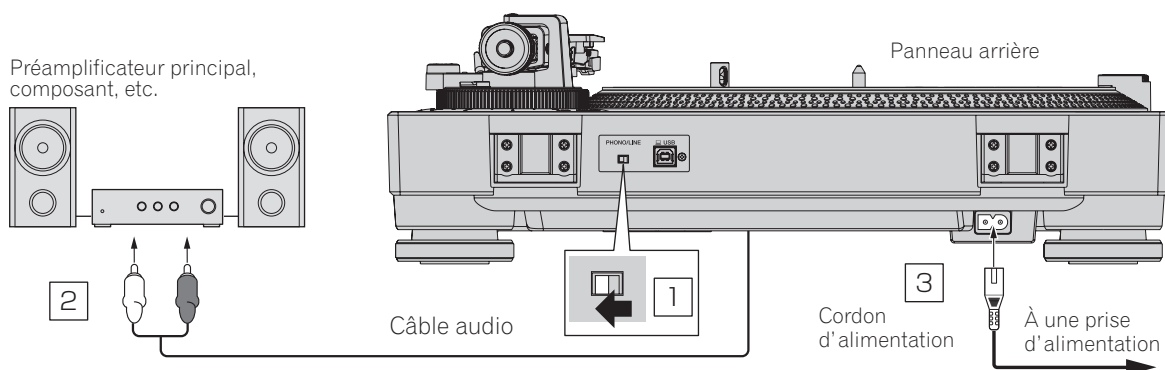
**2 Raccordez le câble audio à la prise d'entrée [LINE] des enceintes amplifiées, etc.**

- Si nécessaire, utilisez le câble d'adaptateur audio fourni.

**3 Branchez le cordon d'alimentation.**

À relier à une prise d'alimentation avec le cordon d'alimentation fourni. Avant de brancher le cordon d'alimentation, assurez-vous que tous les autres appareils sont raccordés.

## Raccordement à un préamplificateur principal et à un composant



**1 Réglez la commande [PHONO/LINE] sur [PHONO].**

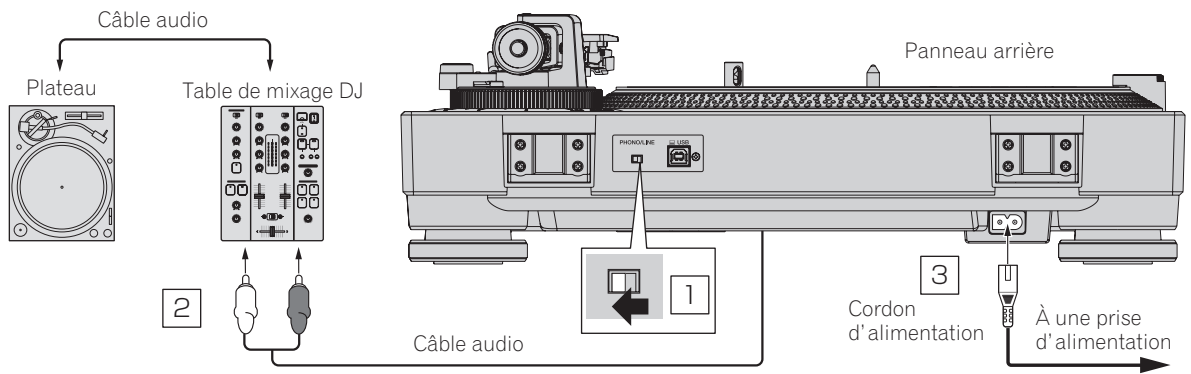
**2 Raccordez le câble audio à la prise d'entrée [PHONO] du préamplificateur principal ou d'un autre composant.**

- Si ce produit est raccordé à un préamplificateur principal ou à un composant qui ne possède pas de prise [PHONO], il n'est pas possible d'obtenir un volume et une qualité sonore suffisants. Dans ce cas, réglez le commutateur [PHONO/LINE] de cet appareil sur [LINE], puis raccordez l'appareil à la prise d'entrée [LINE] du préamplificateur principal ou du composant, ou utilisez un égaliseur phono.

**3 Branchez le cordon d'alimentation.**

À relier à une prise d'alimentation avec le cordon d'alimentation fourni. Avant de brancher le cordon d'alimentation, assurez-vous que tous les autres appareils sont raccordés.

## Raccordement à une table de mixage DJ



**1 Réglez la commande [PHONO/LINE] sur [PHONO].**

**2 Raccordez le câble audio à la prise d'entrée [PHONO] de la table de mixage DJ.**

- Si ce produit est raccordé à une table de mixage DJ qui ne possède pas de prise d'entrée [PHONO], il n'est pas possible d'obtenir un volume et une qualité sonore suffisants. Dans ce cas, réglez le commutateur [PHONO/LINE] de cet appareil sur [LINE], puis raccordez l'appareil à la prise d'entrée [LINE] de la table de mixage DJ.

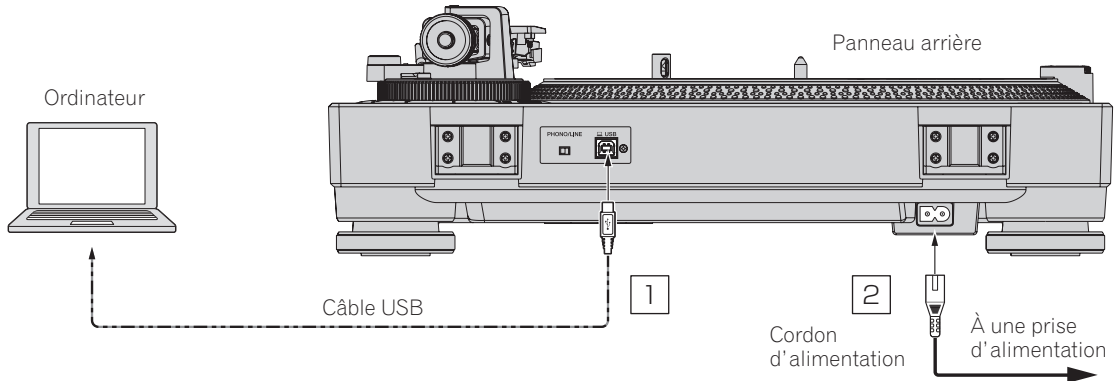
**3 Branchez le cordon d'alimentation.**

À relier à une prise d'alimentation avec le cordon d'alimentation fourni. Avant de brancher le cordon d'alimentation, assurez-vous que tous les autres appareils sont raccordés.

## Raccordement à un ordinateur

Aucun logiciel de pilote USB n'est nécessaire pour cet appareil.

➤ *Enregistrement* (p.15)



**1 Raccordez le câble USB à un port USB de l'ordinateur.**

**2 Branchez le cordon d'alimentation.**

À relier à une prise d'alimentation avec le cordon d'alimentation fourni. Avant de brancher le cordon d'alimentation, assurez-vous que tous les autres appareils sont raccordés.

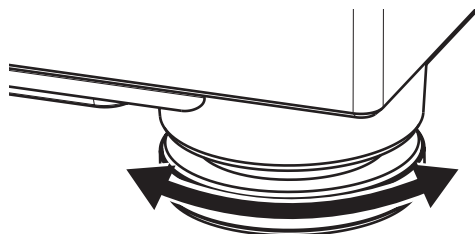
## Emplacement du lecteur

Placez l'appareil sur une surface plane qui n'est pas soumise aux vibrations externes.

- Dans la mesure du possible, gardez l'appareil éloigné du système de haut-parleurs.
- Lorsque l'appareil est très proche d'une radio (radiodiffusion AM/FM), la radio pourrait générer du bruit. Gardez l'appareil le plus éloigné possible.

## Réglage de la hauteur de l'appareil principal

Réglez la hauteur en tournant les pieds isolants de sorte que l'appareil principal soit horizontal.



# Fonctionnement

## Mise sous tension

**1** Après avoir effectué tous les raccordements, branchez le cordon d'alimentation sur une prise murale.

➔ Raccordements (p.12)

**2** Basculez l'interrupteur [POWER] sur [ON] pour mettre l'appareil sous tension.

Les indicateurs de cet appareil s'allument et l'appareil se met sous tension.

## Mise hors tension

Basculez l'interrupteur [POWER] sur [OFF] pour mettre l'appareil hors tension.

Cet appareil se met hors tension.

## Lecture

Préparez comme suit.

- Placez un disque sur le plateau.
- Retirez le couvercle de la pointe de lecture et le serre-bras.

**1** Basculez l'interrupteur [POWER] sur [ON] pour mettre l'appareil sous tension.

**2** Sélectionnez la vitesse de rotation correspondant au disque à lire en appuyant sur une touche de changement de vitesse.

**3** Appuyez sur la touche [START/STOP].

Le plateau tourne.

**4** Tirez le levier de levage vers le haut et déplacez le bras de lecture sur le disque.

**5** Poussez le levier de levage vers le bas.

Le bras de lecture descend lentement et la lecture commence.

## Pause de la lecture

Tirez le levier de levage vers le haut.

La pointe de lecture de la cellule se soulève du disque.

- Pour reprendre la lecture, poussez le levier de levage vers le bas.

## Fin de la lecture

**1** Tirez le levier de levage vers le haut pour ramener le bras de lecture sur le repose-bras, puis poussez le levier de levage vers le bas.

**2** Appuyez sur la touche [START/STOP].

Le plateau s'arrête en douceur.

**3** Basculez l'interrupteur [POWER] sur [OFF] pour mettre l'appareil hors tension.

Utilisez le serre-bras pour fixer le bras de lecture.

Fixez le couvercle de la pointe de lecture pour protéger l'extrémité de la pointe de lecture.

Fermez le capot anti-poussière.

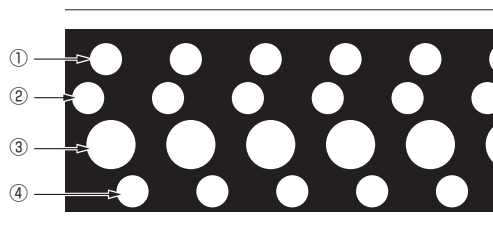
## Réglage du pitch

Déplacez le curseur [TEMPO] vers l'avant ou l'arrière.

Déplacer le curseur vers l'avant augmente la vitesse de rotation et le déplacer vers l'arrière diminue la vitesse de rotation.

- Lorsque le curseur [TEMPO] est au centre, l'indicateur s'allume en jaune-vert et la vitesse de rotation correspond aux tours/minute spécifiés (33 1/3 tr/min, 45 tr/min ou 78 tr/min).
- La graduation du curseur [TEMPO] est une valeur approximative. Veuillez l'utiliser à titre de référence.
- Vous pouvez vérifier que la vitesse de rotation correspond bien aux tours/minute spécifiés en observant les quatre rangées de points stroboscopiques gravés autour du plateau.

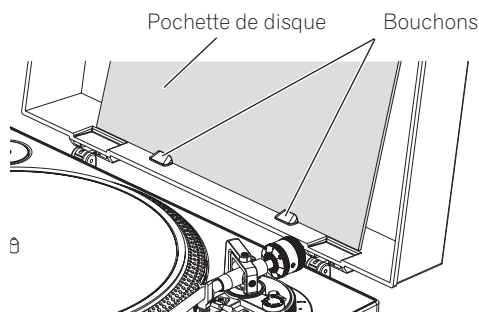
## Points stroboscopiques



- ① Lorsque les points stroboscopiques semblent arrêtés, 33 1/3 tr/min (alimentation 50 Hz)
  - ② Lorsque les points stroboscopiques semblent arrêtés, 45 tr/min (alimentation 50 Hz)
  - ③ Lorsque les points stroboscopiques semblent arrêtés, 33 1/3 tr/min (alimentation 60 Hz)
  - ④ Lorsque les points stroboscopiques semblent arrêtés, 45 tr/min (alimentation 60 Hz)
- Un éclairage stroboscopique (lumière LED rouge) est utilisé pour éclairer les points stroboscopiques de cet appareil. Lors de la vérification du pitch, utilisez toujours l'éclairage stroboscopique.

## Affichage d'une pochette de disque

Placez la pochette de disque derrière les butées fixées au capot anti-poussière comme indiqué sur la figure.



- Ne placez rien d'autre qu'une pochette de disque.
- Fixez fermement la pochette de disque derrière les butées.
- Si vous utilisez cette fonctionnalité pendant la lecture, veillez à ce que la pochette de disque ne tombe pas. Le disque ou la pointe de lecture pourrait être endommagé.
- Veillez à ne pas fermer le capot anti-poussière lorsqu'une pochette de disque est installée dessus.

## Pour la lecture de disques 45 tours standard

Placez l'adaptateur pour disque 45 tours sur l'axe central et appuyez sur la touche [45].

## Éclairage de l'extrémité de la pointe de lecture

Lorsque vous appuyez sur l'interrupteur d'éclairage de la pointe de lecture, le dispositif d'éclairage de la pointe de lecture s'allume en blanc et monte jusqu'à la position permettant d'éclairer l'extrémité de la pointe de lecture.

- Appuyez sur l'interrupteur du dispositif d'éclairage de la pointe de lecture pour le rabaisser s'il n'est pas nécessaire. L'interrupteur du dispositif d'éclairage de la pointe de lecture s'éteint.
- Ne regardez pas directement la lumière lorsque l'éclairage de la pointe de lecture est allumé.

## Enregistrement

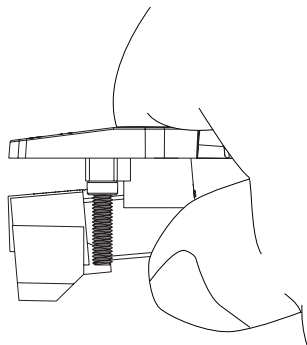
Des disques vinyles peuvent être enregistrés numériquement en raccordant à un ordinateur sur lequel le logiciel de gestion de musique "rekordbox" est installé.

Pour plus d'informations, accédez au site du produit rekordbox ci-dessous et consultez le Mode d'emploi de rekordbox dans [Aide].  
<https://rekordbox.com/fr/store/>

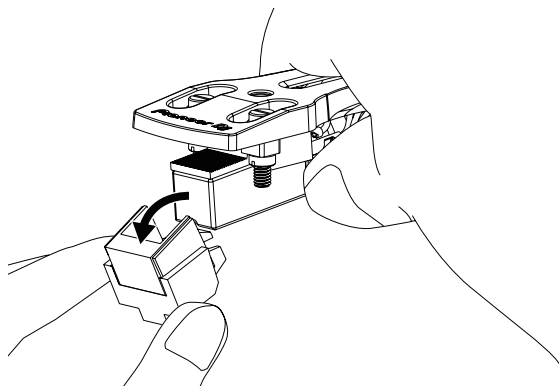
## Remplacement de la pointe de lecture

Vérifiez que l'appareil n'est pas allumé avant d'effectuer la procédure suivante.

### 1 Tenez la cellule d'une main.



### 2 Retirez la cellule dans le sens de la flèche tout en tenant le support de la pointe de lecture à l'écart de l'autre main.



## Changement de cellule

Cet appareil n'est pas compatible avec les cellules MC. Utilisez une cellule VM ou MM.

## Retrait de la cellule

- 1 Retirez les vis, écrous et rondelles fixés au porte-cellule.
- 2 Débranchez les fils conducteurs raccordés à la cellule.

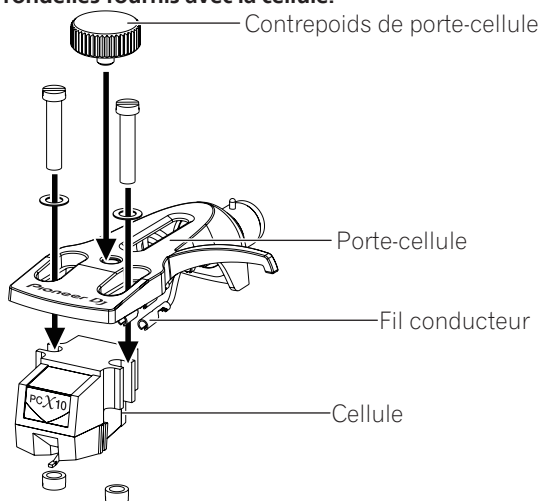
## Fixation de la cellule

### 1 Raccordez la cellule en faisant correspondre les couleurs des fils conducteurs du porte-cellule avec les symboles sur les prises de la cellule.

Faites correspondre les couleurs des fils conducteurs du porte-cellule avec les symboles sur les prises de la cellule comme ci-dessous. Depuis l'avant de l'appareil, L+ : blanc se trouve en haut à gauche, L- : bleu se trouve en bas à gauche, R+ : rouge se trouve en haut à droite et R- : vert se trouve en bas à droite.

- Raccordez fermement les fils conducteurs à l'aide d'une pince ou similaire.

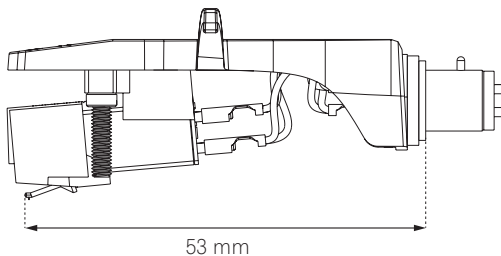
### 2 Fixez la cellule au porte-cellule à l'aide des vis, écrous et rondelles fournis avec la cellule.



- Lorsque vous fixez la cellule au porte-cellule, fixez-la fermement.
- Lors de l'utilisation d'une cellule de 5 g ou moins, utilisez le contre-poids de porte-cellule fourni.

## Réglage du surplomb

Utilisez l'échelle de réglage du surplomb suivante pour régler la position à l'aide de la vis de fixation de la cellule, de sorte que l'extrémité de la pointe de lecture soit à une position de 53 mm de la fixation du bras de lecture.



### Échelle de réglage du surplomb



# Informations supplémentaires

## En cas de panne

- Une erreur de commande est souvent prise pour une anomalie de fonctionnement ou une panne. S'il vous semble que quelque chose est anormal avec cet appareil, vérifiez les points suivants et les **[FAQ]** du **[PLX-500]** sur le site de support de Pioneer DJ.  
<http://pioneerdj.com/support/>  
Parfois, le problème peut provenir d'un autre composant. Examinez les autres composants et appareils électriques utilisés. Si le problème ne peut pas être résolu, contactez votre service après-vente le plus proche ou votre revendeur pour une réparation.
- De l'électricité statique ou des influences externes ont peut être dérégulé cet appareil. Dans ce cas, il est possible de faire fonctionner à nouveau l'appareil en l'éteignant, puis rallumant 1 minute plus tard.

Problème	Vérification	Solution
L'appareil ne s'allume pas.	Est-ce que le cordon d'alimentation est correctement raccordé ?	Branchez correctement le cordon d'alimentation fourni sur une prise d'alimentation.
	Est-ce que l'interrupteur d'alimentation <b>[POWER]</b> est réglé sur <b>[ON]</b> ?	Réglez l'interrupteur d'alimentation <b>[POWER]</b> sur <b>[ON]</b> .
Aucun son ou son faible.	Est-ce que les câbles audio sont correctement raccordés ?	Raccordez correctement les câbles audio.
	Est-ce que les prises et fiches sont sales ?	Nettoyez les prises et les fiches avant d'effectuer les raccordements.
	Est-ce que le porte-cellule est correctement fixé ?	Fixez correctement le porte-cellule.
Les sons de droite et de gauche sont inversés.	Les connexions gauche et droite de chaque appareil sont-elles inversées ?	Raccordez correctement le câble audio et les fils conducteurs du porte-cellule.
Il y a un faible bruit de fond (bourdonnement) pendant la lecture.	Y a-t-il un appareil électrique, tel qu'une lampe fluorescente, ou son cordon d'alimentation près du câble de connexion ?	Placez le cordon d'alimentation de la lampe fluorescente ou tout autre appareil aussi loin que possible.
L'extrémité de la pointe de lecture ne s'abaisse pas sur le disque.	La pression de la pointe de lecture est-elle correctement réglée ?	Faites correspondre le contrepoids d'équilibrage avec la valeur de la pression de la pointe de lecture appropriée pour votre cellule.
	Le bras est-il équilibré horizontalement ?	Tournez le contrepoids d'équilibrage jusqu'à ce que le bras de lecture devienne horizontal.
La pointe de lecture saute.	La pression de la pointe de lecture est-elle correctement réglée ?	Faites correspondre le contrepoids d'équilibrage avec la valeur de la pression de la pointe de lecture appropriée pour votre cellule.
	Le disque est-il déformé ou a-t-il des rayures ?	Vérifiez l'état du disque.
	L'extrémité de la pointe de lecture est-elle très poussiéreuse ?	Retirez le porte-cellule avec la cellule installée et utilisez une petite brosse souple ou un pinceau pour enlever soigneusement la poussière, etc. de l'extrémité de la pointe de lecture.
	L'antipatinage est-il réglé correctement ?	Réglez l'antipatinage correctement.
Le bras s'arrête en cours de lecture et n'avance plus.	La hauteur du bras est-elle réglée correctement ?	Réglez la hauteur du bras correctement.
	Y a-t-il des rayures sur le disque ?	Vérifiez l'état du disque.
Le volume sonore est faible ou fort (déformé).	Le bras est-il en contact avec quelque chose ?	Vérifiez autour du bras. Retirez l'obstacle, le cas échéant.
	La connexion à l'amplificateur est-elle appropriée pour le type de cellule (sortie) ?	Raccordez correctement les câbles de liaison.
Le plateau rotatif bouge beaucoup.	Le réglage du commutateur <b>[PHONO/LINE]</b> est-il correct ?	Réglez correctement le commutateur <b>[PHONO/LINE]</b> en fonction de la prise d'entrée du dispositif raccordé.
	De la saleté ou autre est collée sur les éléments de fixation du plateau et de l'axe central.	Retirez la saleté.

## Précautions d'emploi

### À propos de la condensation

Des gouttelettes d'eau (condensation) peuvent se former à l'intérieur de l'appareil (sur les pièces et les lentilles) en hiver, par exemple, si vous transportez sans transition l'appareil d'un endroit froid dans un pièce chaude, ou si la température de la pièce où se trouve l'appareil augmente rapidement (un appareil de chauffage, par exemple, est mis en marche). Cet appareil ne fonctionne pas correctement et la lecture n'est pas possible si de la condensation s'est formée dans l'appareil. Laissez l'appareil éteint pendant 1 ou 2 heures à la température ambiante (selon l'intensité de la condensation). Les gouttelettes d'eau s'évaporeront et la lecture sera de nouveau possible. De la condensation peut aussi se former en été si l'appareil est exposé à l'air d'un climatiseur, etc. Dans ce cas, installez l'appareil à un autre endroit.

### Lors du transport de l'appareil à un autre endroit

Utilisez les matériaux d'emballage d'origine pour emballer l'appareil. Si vous ne disposez pas des matériaux d'emballage d'origine, assurez-vous d'effectuer les opérations suivantes.

- Démontez la feutrine et le plateau avant l'emballage.
- Démontez le porte-cellule et le contrepoids d'équilibrage du bras et emballez-les soigneusement.
- Utilisez le serre-bras pour fixer le bras de lecture et utilisez du ruban adhésif pour le maintenir fermement en place.
- Enveloppez l'appareil principal dans une couverture ou du papier souple pour ne pas l'endommager.
- Emballez afin qu'une force ne puisse pas être exercée sur le bras de lecture.

## Entretien de chaque élément

Lors du montage et du démontage du porte-cellule, éteignez l'amplificateur.

Tenter d'effectuer une telle opération alors que le volume est fort pourrait provoquer l'endommagement du haut-parleur.

- Retirez le porte-cellule avec la cellule installée et utilisez une petite brosse souple ou un pinceau pour enlever soigneusement la poussière, etc. de l'extrémité de la pointe de lecture.
- Utilisez un nettoyeur pour disque de bonne qualité pour nettoyer les disques.
- Utilisez un chiffon doux ou quelque chose de similaire pour nettoyer la borne du porte-cellule, puis fixez-le à nouveau au bras de lecture.

## Nettoyage du capot anti-poussière, etc.

Utilisez un chiffon doux pour nettoyer le capot anti-poussière et le boîtier

- Ne nettoyez pas le capot anti-poussière pendant la lecture. Le bras de lecture pourrait être attiré au capot anti-poussière à cause de l'électricité statique.

## À propos des marques commerciales et des marques déposées

- « Pioneer DJ » est une marque déposée de PIONEER CORPORATION qui est utilisée sous licence.
- rekordbox est une marque commerciale ou une marque déposée de Pioneer DJ Corporation.

Les noms de sociétés et de produits mentionnés ici sont des marques commerciales ou des marques déposées de leurs détenteurs respectifs.

## Spécifications

Alimentation.....	CA 110 V à 120 V ou 220 V à 240 V, 50 Hz/60 Hz
Consommation.....	11 W
Poids de l'appareil principal.....	10,7 kg
Dimensions maximales.....	450 mm (L) × 158,5 mm (H) × 367,5 mm (P)
Température de fonctionnement tolérée.....	+5 °C à +35 °C
Humidité de fonctionnement tolérée.....	5 % à 85 % (sans condensation)

### Plateau

Méthode d'entraînement.....	Entraînement direct de type servomoteur
Moteur.....	Moteur à courant continu sans balai triphasé
Système de freinage.....	Freinage électronique
Vitesse de rotation.....	33 1/3 tr/min, 45 tr/min, 78 tr/min
Plage de réglage de la vitesse de rotation.....	±8 %
Fluctuation de vitesse.....	0,15 % ou moins WRMS
Rapport S/B.....	50 dB ou plus
Plateau.....	Aluminium moulé, Diamètre : 332mm
Couple de démarrage.....	1,6 kg-cm ou plus
Temps de démarrage.....	1 secondes ou moins (à 33 1/3 tr/min)

### Bras de lecture

Type de bras.....	Bras de lecture en S de type universel, support à cardan, équilibrage statique
Longueur effective.....	230,5 mm
Surplomb.....	16 mm
Erreur de suivi.....	Moins de 3°
Plage de réglage de la hauteur du bras.....	6 mm
Plage variable de la pression de la pointe de lecture.....	0 g à 4,0 g (1 graduation 0,1 g)
Poids de la cellule approprié.....	9,5 g ou moins (une cellule)
Type de cellule.....	VM

### Tension de sortie

PHONO.....	2,5 mV/1 kHz
LINE.....	150 mV/1 kHz

— Les caractéristiques et la présentation peuvent être modifiées, sans avis préalable, dans un souci d'amélioration.

- © 2016 Pioneer DJ Corporation. Tous droits de reproduction et de traduction réservés.



Mischen Sie dieses Produkt, wenn Sie es entsorgen wollen, nicht mit gewöhnlichen Haushaltsabfällen. Es gibt ein getrenntes Sammelsystem für gebrauchte elektronische Produkte, über das die richtige Behandlung, Rückgewinnung und Wiederverwertung gemäß der bestehenden Gesetzgebung gewährleistet wird.

Privathaushalte in den Mitgliedsstaaten der EU, in der Schweiz und in Norwegen können ihre gebrauchten elektronischen Produkte an vorgesehenen Sammelrichtungen kostenfrei zurückgeben oder aber an einen Händler zurückgeben (wenn sie ein ähnliches neues Produkt kaufen).

Bitte wenden Sie sich in den Ländern, die oben nicht aufgeführt sind, hinsichtlich der korrekten Verfahrensweise der Entsorgung an die örtliche Kommunalverwaltung.

Auf diese Weise stellen Sie sicher, dass das zu entsorgende Produkt der notwendigen Behandlung, Rückgewinnung und Wiederverwertung unterzogen wird, und so mögliche negative Einflüsse auf die Umwelt und die menschliche Gesundheit vermieden werden.

K058b\_A1\_De

## ACHTUNG

UM SICH NICHT DER GEFAHR EINES ELEKTRISCHEN SCHLAGES AUSZUSETZEN, DÜRFEN SIE NICHT DEN DECKEL (ODER DIE RÜCKSEITE) ENTFERNEN. IM GERÄTEINNEREN BEFINDEN SICH KEINE VOM BENUTZER REPARIERBAREN TEILE. ÜBERLASSEN SIE REPARATUREN DEM QUALIFIZIERTEN KUNDENDIENST.

D3-4-2-1-1\_B1\_De

## WARNUNG

Dieses Gerät ist nicht wasserdicht. Zur Vermeidung der Gefahr von Brand und Stromschlag keine Behälter mit Flüssigkeiten (z.B. Blumenvasen und -töpfe) in die Nähe des Gerätes bringen und dieses vor Tropfwasser, Spritzwasser, Regen und Nässe schützen.

D3-4-2-1-3\_A1\_De

## Betriebsumgebung

Betriebstemperatur und Betriebsluftfeuchtigkeit:

+5 °C bis +35 °C, 85 % rel. Feuchte max.

(Ventilationsschlitze nicht blockiert)

Eine Aufstellung dieses Gerät an einem unzureichend belüfteten, sehr feuchten oder heißen Ort ist zu vermeiden, und das Gerät darf weder direkter Sonneneinstrahlung noch starken Kunstlichtquellen ausgesetzt werden.

D3-4-2-1-7c\*\_A1\_De

## WARNUNG

Keine Quellen offener Flammen (z.B. eine brennende Kerze) auf dieses Gerät stellen.

D3-4-2-1-7a\_A1\_De

Dieses Gerät ist für den Heimgebrauch vorgesehen. Falls bei Einsatz zu einem anderem Zweck (z.B. Langzeitgebrauch zu gewerblichen Zwecken in einem Restaurant oder Betrieb in einem Fahrzeug bzw. Schiff) eine Funktionsstörung auftritt, die eine Reparatur des Gerätes erforderlich macht, werden die Reparaturkosten dem Kunden selbst dann in Rechnung gestellt, wenn die Garantiefrist noch nicht abgelaufen ist.

K041\_A1\_De

## VORSICHTSHINWEIS ZUR BELÜFTUNG

Bei der Aufstellung dieses Gerätes muss für einen ausreichenden Freiraum gesorgt werden, um eine einwandfreie Wärmeabfuhr zu gewährleisten (mindestens 15 cm oberhalb des Gerätes, 5 cm hinter dem Gerät und jeweils 5 cm an der Seite des Gerätes).

## WARNUNG

Im Gerätegehäuse sind Ventilationsschlitze und andere Öffnungen vorgesehen, die dazu dienen, eine Überhitzung des Gerätes zu verhindern und einen zuverlässigen Betrieb zu gewährleisten. Um Brandgefahr auszuschließen, dürfen diese Öffnungen auf keinen Fall blockiert oder mit Gegenständen (z.B. Zeitungen, Tischdecken und Gardinen) abgedeckt werden, und das Gerät darf beim Betrieb nicht auf einem dicken Teppich oder Bett aufgestellt sein.

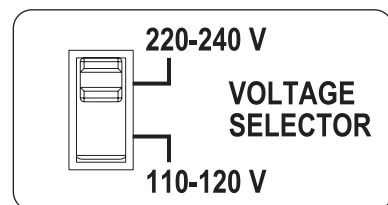
D3-4-2-1-7b\*\_A1\_De

## Spannungswähler

Der Spannungs-Wahlschalter befindet sich bei Modellen mit mehreren Spannungen an der Oberseite.

**Die Werkseinstellung des Spannungswählers beträgt 220 bis 240 V. Bitte wählen Sie die richtige Spannung für Ihr Land oder Ihre Region.**

Trennen Sie vor dem Spannungswechsel das Netzkabel. Ändern Sie die Position des Spannungs-Wahlschalters mit einem Schraubendreher mittlerer Größe.



D3-4-2-1-5\*\_A2\_De



## VORSICHT MIT DEM NETZKABEL

Fassen Sie das Netzkabel immer am Stecker. Ziehen Sie nicht am Kabel selbst, und fassen Sie das Netzkabel niemals mit nassen Händen an, da dies einen Kurzschluss oder elektrischen Schlag verursachen kann. Stellen Sie nicht das Gerät, Möbelstücke o.ä. auf das Netzkabel; sehen Sie auch zu, dass es nicht eingeklemmt wird. Machen Sie niemals einen Knoten in das Netzkabel, und binden Sie es nicht mit anderen Kabeln. Das Netzkabel sollte so gelegt werden, dass niemand darauf tritt. Ein beschädigtes Netzkabel kann einen Brand oder elektrischen Schlag verursachen. Prüfen Sie das Netzkabel von Zeit zu Zeit. Sollte es beschädigt sein, wenden Sie sich an Ihre nächste Kundendienststelle oder Ihren Händler, um es zu ersetzen.

S002\*\_A1\_De

### ACHTUNG

Der **POWER**-Schalter dieses Gerätes trennt das Gerät nicht vollständig vom Stromnetz. Um das Gerät vollständig vom Netz zu trennen, muss der Netzstecker aus der Netzsteckdose gezogen werden. Daher sollte das Gerät so aufgestellt werden, dass stets ein unbehinderter Zugang zur Netzsteckdose gewährleistet ist, damit der Netzstecker in einer Notsituation sofort abgezogen werden kann. Um Brandgefahr auszuschließen, sollte der Netzstecker vor einem längeren Nichtgebrauch des Gerätes, beispielsweise während des Urlaubs, grundsätzlich von der Netzsteckdose getrennt werden.

D3-4-2-2-2a\*\_A1\_De

---

---

# Inhalt

## Zum Lesen dieser Anleitung

- Vielen Dank, dass Sie sich für dieses Pioneer DJ-Produkt entschieden haben.  
Lesen Sie unbedingt dieses Infoblatt, den es enthält wichtige Informationen, mit denen Sie sich vor dem Gebrauch dieses Produktes vertraut machen müssen.  
Nachdem Sie die Bedienungsanleitung gelesen haben, legen Sie sie griffbereit zum Nachschlagen ab.
- In dieser Broschüre werden die Namen der Tasten und Anschlüsse des Hauptgeräts in eckigen Klammern ([ ]) angegeben.  
Beispiele:  
Drücken Sie die Taste **[START/STOP]**.

## 01 Vor der Inbetriebnahme

Merkmale.....	5
Lieferumfang.....	5

## 02 Bevor Sie beginnen

Installieren von rekordbox (Mac/Windows).....	6
Montage.....	6

## 03 Bezeichnungen und Funktionen der Komponenten

Oberseite.....	8
Rückseite.....	9

## 04 Anpassung

Anpassen des Tonarmgleichgewichts.....	10
Anpassen des Nadeldrucks.....	10
Anti-Skating-Anpassung.....	11
Anpassen der Höhe des Armhebers.....	11
Anpassen der Armhöhe.....	11

## 05 Anschlüsse

Anschließen der Aktivlautsprecher.....	12
Anschluss an einen Vor-/Hauptverstärker und eine Komponente.....	12
Anschluss an einen DJ-Mixer.....	13
Verbinden mit einem Computer.....	13
Installationsort.....	13
Anpassen der Höhe des Hauptgeräts.....	13

## 06 Bedienung

Einschalten der Stromversorgung.....	14
Ausschalten der Stromversorgung.....	14
Wiedergabe.....	14
Anhalten der Wiedergabe.....	14
Beenden der Wiedergabe.....	14
Anpassen der Tonhöhe.....	14
Aufstellen einer Schallplattenhülle.....	14
Abspielen einer Standard-EP.....	14
Beleuchtung der Nadelspitze.....	15
Aufnahme.....	15
Austauschen der Nadel.....	15
Wechseln des Tonabnehmers.....	15

## 07 Zusätzliche Informationen

Störungssuche.....	16
Vorsichtshinweise.....	16
Wartung der einzelnen Teile.....	17
Über Markenzeichen und eingetragene Markenzeichen.....	17
Technische Daten.....	17

---

---

# Vor der Inbetriebnahme

---

---

## Merkmale

Dieser Plattenspieler mit Direktantrieb für ein hohes Drehmoment kann für verschiedene Anwendungen – vom Musikhören zu Hause bis hin zu DJ-Auftritten – eingesetzt werden.

---

## Hochwertiger analoger Schallplatten-Sound

Der Weg von der Nadelspitze zum **PHONO/LINE**-Ausgang wurde so kurz wie möglich konzipiert, um die Klangqualität von analogen Schallplatten so originalgetreu wie möglich wiederzugeben.

Da zudem sowohl der **PHONO**-Ausgang als auch der **LINE**-Ausgang unterstützt wird, können Sie durch den direkten Anschluss von Aktivlautsprechern problemlos einen hochwertigen analogen Schallplatten-Sound genießen.

---

## Einfaches digitales Aufnehmen

Über den **USB-B**-Anschluss können Sie dieses Gerät und einen PC oder Mac direkt verbinden und dann analoge Schallplatten-Sound-Quellen auf dem PC oder Mac aufnehmen, indem Sie diese zu Daten konvertieren. Die direkte Aufnahme mit einfacher Bedienung kann mit der Aufnahmefunktion der kostenlosen Musikverwaltungsanwendung „rekordbox“ (Version 4.2.1 oder höher) erfolgen.

---

## Plattenspieler mit Direktantrieb für DJ-Auftritte

Der Einsatz eines System mit Direktantrieb für ein hohes Drehmoment ermöglicht das Mixen von Tracks, Scratching und andere DJ-Funktionen durch die Kombination von zwei dieser Geräte mit einem DJ-Mixer.

---

## Abdeckhaube als Ständer für eine Schallplattenhülle

Eine Schallplattenhülle kann auf der Abdeckhaube aufgestellt werden, wenn die Abdeckhaube geöffnet ist. Dadurch können Sie beim Hören von analogem Schallplattensound auf die Schallplattenhülle schauen.

---

## Lieferumfang

- Plattenteller
- Slipmat
- Abdeckhaube
- Adapter für EPs
- Gegengewicht
- Tonabnehmerkopf (inklusive Tonabnehmer)
- Tonkopfgewicht
- Netzkabel
- USB-Kabel
- Audio-Adapterkabel (Stereo-Klinkenstecker (weiblich) zu Stereo-Miniklinkenstecker (männlich))
- Garantie (für bestimmte Regionen)<sup>1</sup>
- Bedienungsanleitung (dieses Dokument)

<sup>1</sup> Die mitgelieferte Garantie gilt für die Region Europa.

### WARNUNG

Kleine Teile außerhalb der Reichweite von Kleinkindern und Kindern aufbewahren. Bei unbeabsichtigtem Verschlucken ist unverzüglich ein Arzt aufzusuchen.

D41-6-4\_A1\_De

# Bevor Sie beginnen

## Installieren von rekordbox (Mac/Windows)

### 1 Gehen Sie zu rekordbox.com.

<https://rekordbox.com/en/store/>

- Der Seiteninhalt kann ohne Ankündigung geändert werden.

### 2 Lesen Sie die Kurzanleitung und klicken Sie auf [Free To Download].



### 3 Lesen Sie die Software-Endbenutzerlizenzvereinbarung sorgfältig durch und aktivieren Sie das Kontrollkästchen [Akzeptieren], wenn Sie einverstanden sind.

Wenn Sie das Kontrollkästchen aktivieren, können Sie [Download] anklicken.

### 4 Klicken Sie auf [Download].

Der Download von rekordbox (Mac/Windows) beginnt.

### 5 Doppelklicken Sie auf die heruntergeladene Datei, um sie zu entpacken.

### 6 Doppelklicken Sie auf die entpackte Datei, um den Installationsassistenten zu starten.

### 7 Lesen Sie die Software-Lizenzvereinbarung sorgfältig durch und fahren Sie mit der Installation entsprechend der Anweisungen auf dem Bildschirm fort, wenn Sie dieser zustimmen.

- Wenn Sie mit dem Inhalt der Software-Lizenzvereinbarung nicht einverstanden sind, brechen Sie die Installation ab.

### 8 Wenn der Bildschirm mit der Fertigstellung der Installation angezeigt wird, folgen Sie den Anweisungen auf dem Bildschirm, um den Installationsassistenten zu schließen.

Die Installation ist damit abgeschlossen.

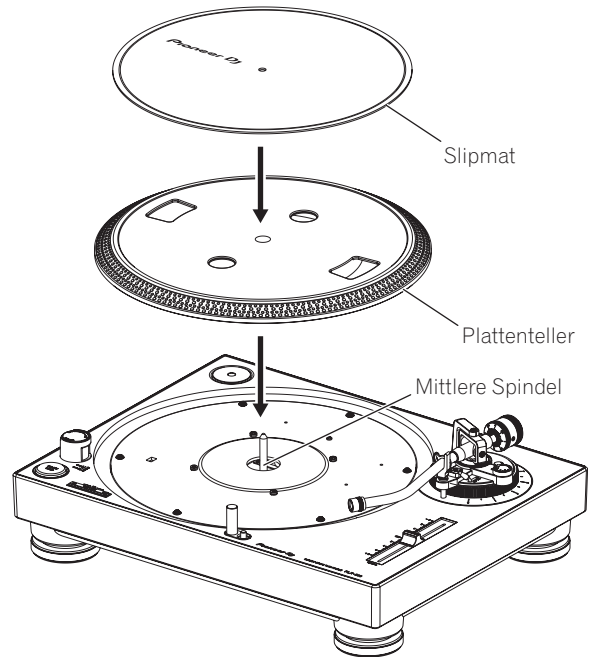
- Um rekordbox dj, rekordbox dvs und rekordbox video zu benutzen, ist eine Aktivierung (Lizenz-Authentifizierung) erforderlich. Entnehmen Sie Einzelheiten der Bedienungsanleitung von rekordbox. <https://rekordbox.com/en/support/manual.php>

## Montage

### 1 Setzen Sie den Plattenteller und die Slipmat auf.

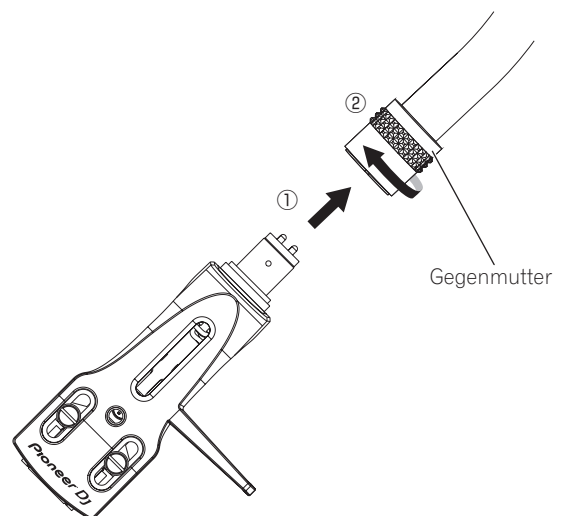
Setzen Sie den Plattenteller auf die mittlere Spindel und platzieren Sie die Slipmat auf den Plattenteller.

- Schlagen Sie dabei nicht mit dem Plattenteller auf das Hauptgerät und lassen Sie ihn nicht fallen.

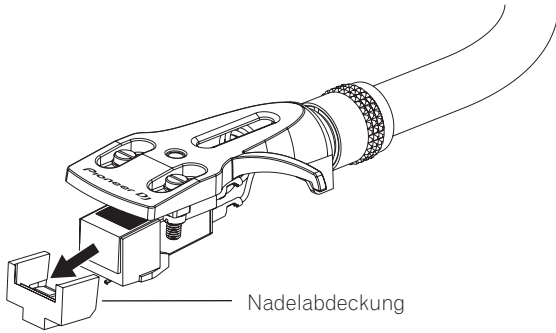


### 2 Bringen Sie den Tonabnehmerkopf an.

Setzen Sie den Tonabnehmerkopf mit angebrachtem Tonabnehmer in den Tonarm ein. Ziehen Sie als Nächstes die Kontermutter an, während Sie dabei den Tonabnehmerkopf horizontal halten.

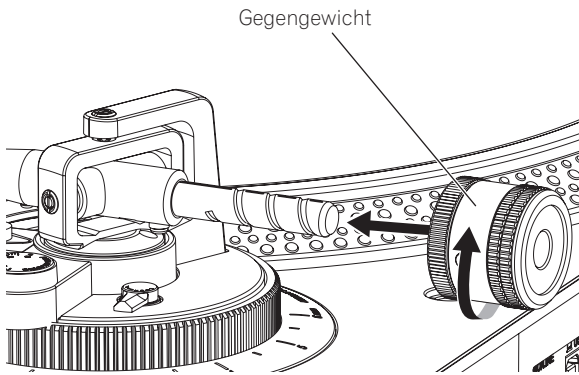


- Entfernen Sie vor der Verwendung die Nadelabdeckung, ohne dabei die Nadelspitze zu berühren.



### 3 Bringen Sie das Gegengewicht an.

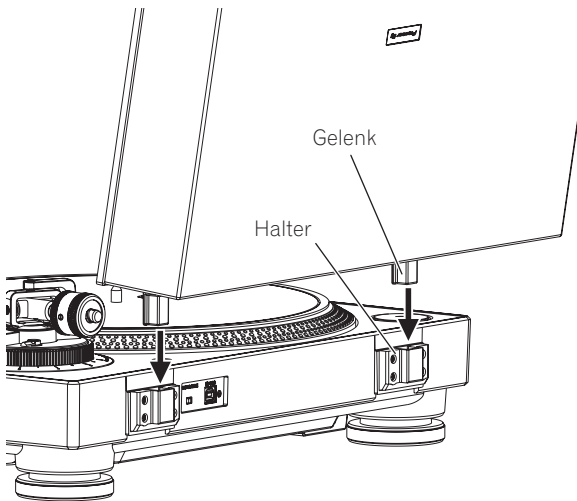
Befestigen Sie das Gegengewicht am hinteren Schaft des Tonarms.



### Bringen Sie die Abdeckhaube an.

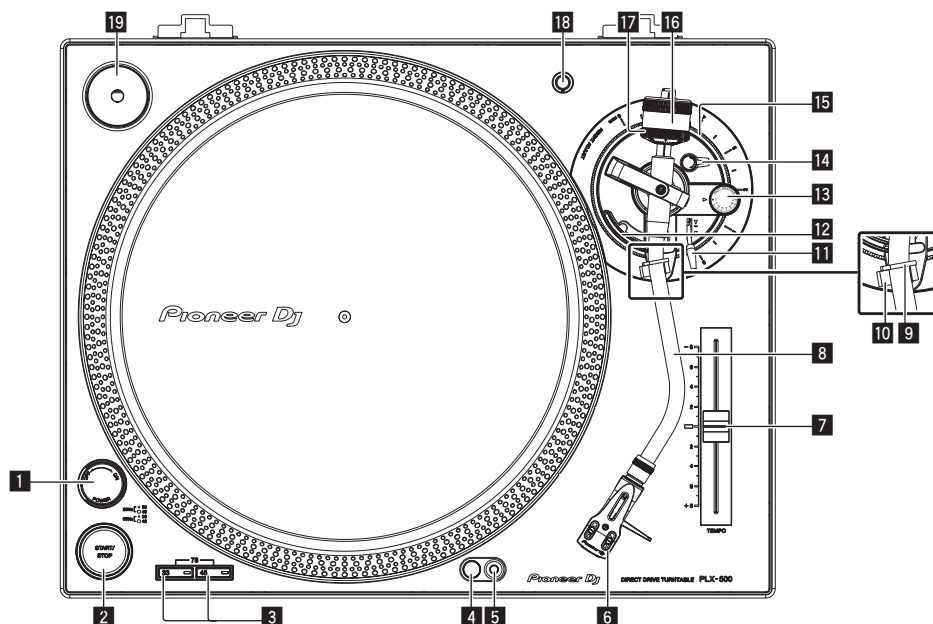
Schieben Sie die Gelenke der Abdeckhaube in die Halter an der Rückseite des Geräts.

Wenn Sie die Abdeckhaube entfernen, ziehen Sie die Gelenke bei geöffneter Abdeckhaube nach oben heraus.



# Bezeichnungen und Funktionen der Komponenten

## Oberseite



### 1 POWER Schalter

Wenn dieser Schalter in die [ON]-Position gestellt wird, wird das Gerät eingeschaltet und die Stroboskop-Beleuchtung an der Seite leuchtet.

- ↻ Einschalten der Stromversorgung (S.14)
- ↻ Ausschalten der Stromversorgung (S.14)

### 2 START/STOP-Taste

Durch Drücken auf die Taste wird die Drehung des Plattentellers gestartet oder gestoppt.

- ↻ Wiedergabe (S.14)

### 3 Drehzahländerungstaste

Ändert die Drehzahl entsprechend der abzuspielenden Schallplatte.

- Drücken Sie bei einer Platte mit 33 1/3 U/Min auf die [33]-Taste.
  - Drücken Sie bei einer Schallplatte mit 45 U/Min auf die [45]-Taste.
  - Bei einer Schallplatte mit 78 U/Min drücken Sie die [33]-Taste und die [45]-Taste gleichzeitig.
- ↻ Wiedergabe (S.14)

### 4 Nadelbeleuchtung

Beleuchtet die Nadelspitze.

- ↻ Beleuchtung der Nadelspitze (S.15)

### 5 Nadelbeleuchtungsschalter

Die Nadelbeleuchtung leuchtet in weiß und reicht bis zur Beleuchtungsposition der Nadelspitze.

- ↻ Beleuchtung der Nadelspitze (S.15)

### 6 Tonabnehmerkopf

### 7 TEMPO-Schieber

Der Schieber lässt sich zur Feineinstellung der Drehzahl vor- und zurückschieben.

- ↻ Anpassen der Tonhöhe (S.14)

### 8 Tonarm

- ↻ Anpassung (S.10)

### 9 Armhalterung

Hält den Tonarm.

### 10 Armstütze

Stützt den Tonarm.

### 11 Anhebehebel

Wenn der Hebel nach oben gezogen wird, geht der Tonarm nach oben. Wenn der Hebel nach unten gedrückt wird, geht der Tonarm nach unten.

### 12 Armheber

Diese Vorrichtung wird verwendet, um den Tonarm nach oben und unten zu heben. Er wird über den Anhebehebel bedient.

### 13 ANTI SKATING-Drehrad

Beim Abspielen einer Schallplatte wird die Nadelspitze durch die Skatingkraft zum inneren Perimeter gezogen. Durch Anpassen dieses Drehrads an den Nadeldruckwert wird diese Kraft eliminiert.

- ↻ Anti-Skating-Anpassung (S.11)

### 14 HEIGHT ADJUST-Verriegelung

Verriegelt die angepasste Armhöhe.

- ↻ Anpassen der Armhöhe (S.11)

### 15 HEIGHT ADJUST-Drehrad

Passt die Höhe des Tonarms an.

- ↻ Anpassen der Armhöhe (S.11)

### 16 Gegengewicht

Gleicht das Gewicht des Tonarms aus, und passt den Nadeldruck an.

- ↻ Anpassung (S.10)

### 17 Nadeldruckanpassungsring

Passt den Nadeldruck an den Tonabnehmer an.

- ↻ Anpassen des Nadeldrucks (S.10)

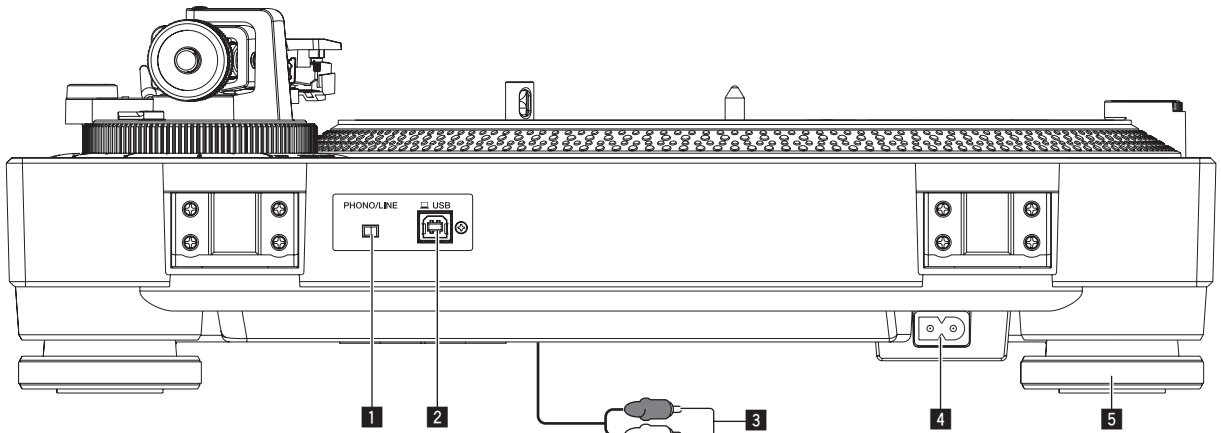
### 18 Tonabnehmerkopf-Ständer

Hält den Tonabnehmerkopf.

### 19 Adapter für EPs

Spielt Standard-EPs ab.

- ↻ Abspielen einer Standard-EP (S.14)



## 1 PHONO/LINE-Regler

Schaltet den Pegel des Soundausgangs von diesem Gerät um.

- **[PHONO]**: Wählen Sie dies, wenn dieses Gerät mit einem Gerät verbunden ist, das den Phono-Pegel-Eingang, wie z. B. einen Vor-/Hauptverstärker oder eine Komponente, unterstützt.
- **[LINE]**: Wählen Sie dies, wenn dieses Gerät mit einem Gerät verbunden ist, das den Line-Pegel-Eingang, wie z. B. Aktivlautsprecher, unterstützt.



### ACHTUNG

Verbinden Sie das Gerät nicht mit einem Gerät, das den Phono-Pegel-Eingang unterstützt, wenn der **PHONO/LINE**-Schalter sich im Zustand **[LINE]** befindet.

## 2 USB-Anschluss

Schließen Sie das USB-Kabel (mitgeliefert) hier an.

- ➔ *Verbinden mit einem Computer (S.13)*

## 3 Audiokabel

- ➔ *Anschlüsse (S.12)*

## 4 AC IN

Stellt die Verbindung zum Stromnetz mit dem mitgelieferten Netzkabel her. Warten Sie, bis alle Verbindungen zwischen den Geräten hergestellt sind, bevor Sie das Netzkabel anschließen.

- Verwenden Sie immer das mitgelieferte Netzkabel.

## 5 Dämpfer

Dämpft äußere Vibrationen. Durch Drehen der Dämpfer wird die Plattenspielerhöhe angepasst.

- ➔ *Anpassen der Höhe des Hauptgeräts (S.13)*

# Anpassung

## Anpassen des Tonarmgleichgewichts

Da sich das Gewicht des Tonabnehmers und Tonabnehmerkopfes je nach Produkt unterscheiden, muss das Gleichgewicht des Tonarms angepasst werden.

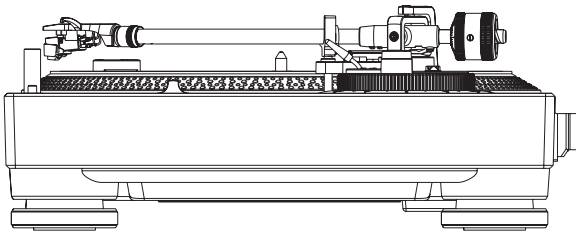
Nehmen Sie folgende Vorgänge vor.

- Entfernen Sie die Nadelabdeckung und die Armhalterung und achten Sie darauf, nicht die Nadelspitze zu berühren.
- Drücken Sie den Anhebehebel nach unten.
- Stellen Sie das [ANTI SKATING]-Drehrad auf "0".

### Nehmen Sie den Tonarm von der Armstütze, und passen Sie das Gegengewicht so an, dass der Arm horizontal steht.

Drehen Sie das Gegengewicht so weit, bis der Tonarm beinahe horizontal steht.

- Achten Sie beim Bewegen des Tonarms darauf, dass die Nadelspitze nicht direkt den Plattenteller o.ä. berührt.



## Anpassen des Nadeldrucks

Um Nadelsprünge oder Tonverzerrungen zu verhindern, muss der Nadeldruck an den geeigneten Nadeldruckwert entsprechend des Tonabnehmers angepasst werden.

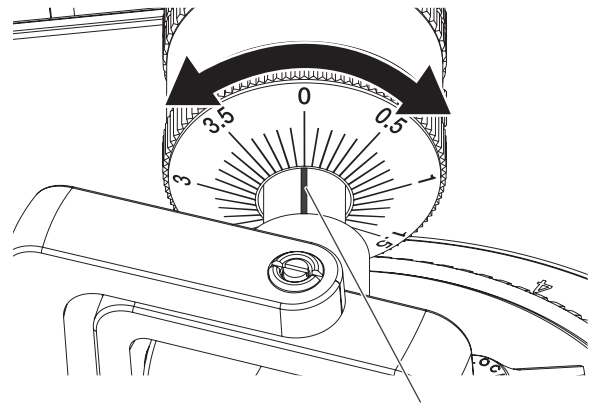
Der geeignete Nadeldruckwert für den mitgelieferten Tonabnehmer beträgt 3,0 g bis 4,0 g.

Nehmen Sie folgende Vorgänge vor.

- Setzen Sie den Tonarm zurück auf die Armstütze, und sichern Sie ihn mit der Armhalterung.

### 1 Richten Sie die "0" am Nadeldruckanpassungsring an der mittleren Linie des hinteren Armschafts aus.

Verhindern Sie mit Ihrem Finger, dass sich das Gegengewicht bewegt, und stellen Sie den Nadeldruckanpassungsring so ein, dass die Zahl "0" an der schwarzen mittleren Linie des hinteren Tonarmschafts ausgerichtet ist.

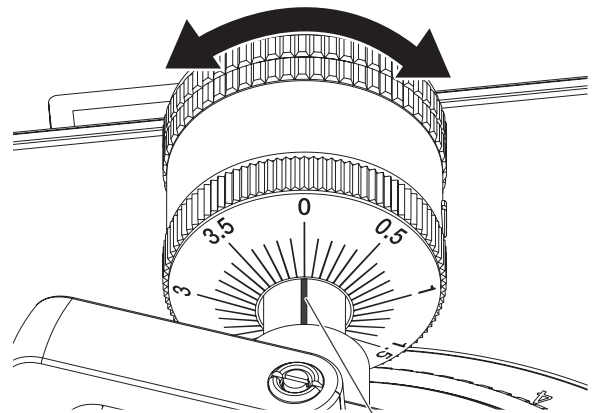


Mittlere Linie

### 2 Passen Sie den Nadeldruck an.

Drehen Sie das Gegengewicht, um den geeigneten Nadeldruckwert für Ihren Tonabnehmer einzustellen.

- Gemeinsam mit dem Gegengewicht dreht sich auch der Nadeldruckanpassungsring. Stellen Sie den Nadeldruck auf den geeigneten Wert unter Beobachtung des Anpassungsringes ein.



Mittlere Linie

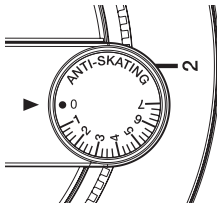


## Anti-Skating-Anpassung

Diese Anpassung soll Nadel sprünge verhindern.

**Stellen Sie die gleiche Position auf der Skala wie für den Nadeldruckwert ein.**

Drehen Sie das [ANTI SKATING]-Drehrad, bis die Referenzlinie auf den gleichen Wert wie für den Nadeldruckwert des Tonabnehmers eingestellt ist.



## Bei der Scratch-Wiedergabe

Passen Sie die Skalenposition an den Wiedergabevorgang an, um Nadel sprünge zu verhindern.

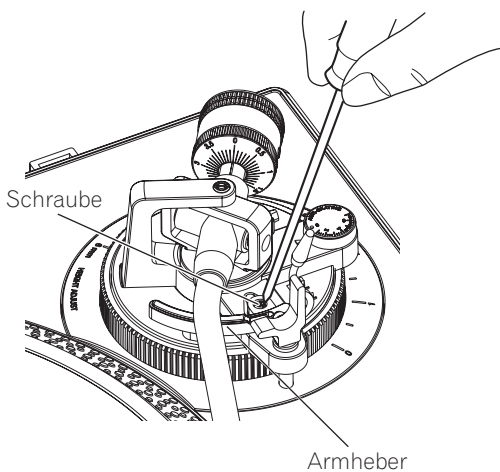
## Anpassen der Höhe des Armhebers

Wenn Sie einen anderen als den mitgelieferten Tonabnehmer benutzen, passen Sie diesen Wert an den benutzten Tonabnehmer an. Nehmen Sie folgende Vorgänge vor.

- Eine Schallplatte wird auf der Slipmat platziert.
- Entfernen Sie die Nadelabdeckung und die Armhalterung und achten Sie darauf, nicht die Nadelspitze zu berühren.
- Ziehen Sie den Anhebehebel nach oben, und setzen Sie den Tonarm auf die Schallplatte.

**Passen Sie die Höhe an, indem Sie die Schraube drehen, während der Armheber nach unten gedrückt wird.**

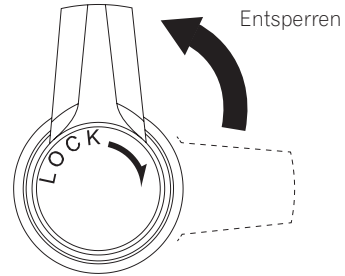
- Wenn die Schraube im Uhrzeigersinn gedreht wird, verringert sich der Abstand zwischen Schallplatte und Nadel.
- Wenn die Schraube entgegen dem Uhrzeigersinn gedreht wird, erhöht sich der Abstand zwischen Schallplatte und Nadel.
- Die Höhe des Armhebers (der Abstand zwischen Schallplatte und Nadel, wenn der Anhebehebel nach oben gezogen wird) ist werkseitig auf einen Bereich von 8 bis 13 mm eingestellt.



## Anpassen der Armhöhe

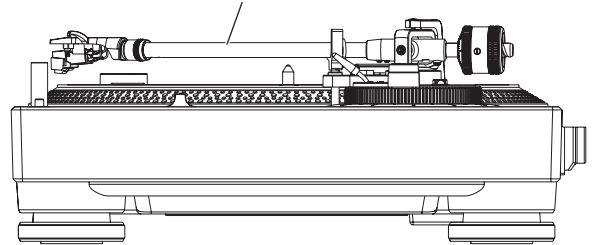
Wenn Sie den mitgelieferten Tonabnehmer benutzen, ist die Position „0“ korrekt. Wenn Sie einen anderen als den mitgelieferten Tonabnehmer benutzen, passen Sie diesen Wert an den benutzten Tonabnehmer an.

**1 Drehen Sie die [HEIGHT ADJUST]-Verriegelung zur Entriegelung.**

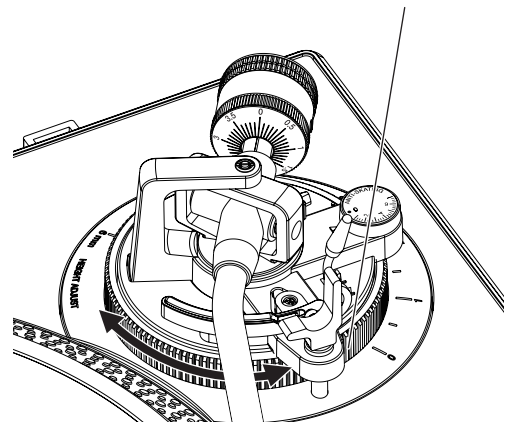


**2 Drücken Sie den Anhebehebel nach unten, setzen Sie die Nadel auf die Schallplatte, und drehen Sie dann am [HEIGHT ADJUST]-Drehrad, um den Tonarm parallel an der Schallplatte auszurichten.**

So anpassen, dass der Tonarm horizontal steht.



[HEIGHT ADJUST]-Drehrad



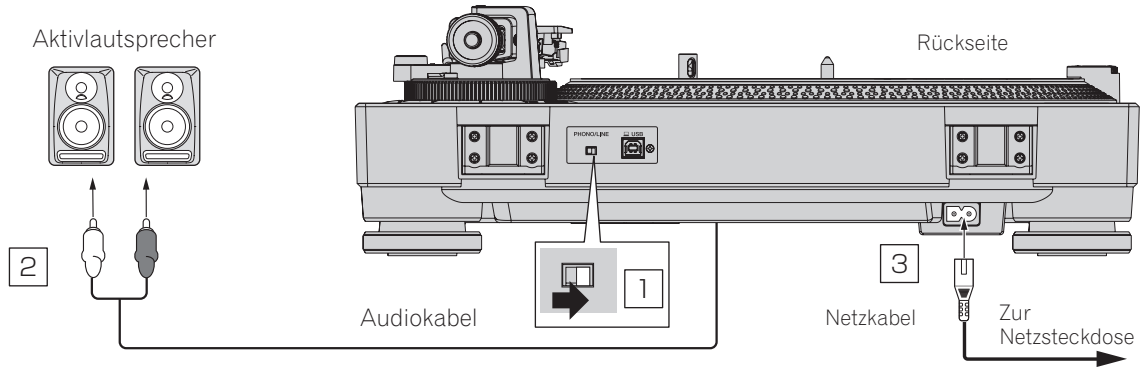
**3 Drehen Sie die [HEIGHT ADJUST]-Verriegelung, um die Armhöhe zu sichern.**

Drehen Sie nach der Anpassung der Armhöhe immer die [HEIGHT ADJUST]-Verriegelung, um den Arm zu sichern.

# Anschlüsse

- Schalten Sie die Stromversorgung aus und ziehen Sie das Netzkabel aus der Netzsteckdose, bevor Sie Geräte anschließen oder die Anschlüsse ändern.
- Beachten Sie die Bedienungsanleitung der angeschlossenen Komponente.
- Schließen Sie das Netzkabel an, nachdem alle Anschlüsse zwischen den Geräten vorgenommen wurden.

## Anschließen der Aktivlautsprecher



**1 Stellen Sie den [PHONO/LINE]-Schalter auf [LINE].**

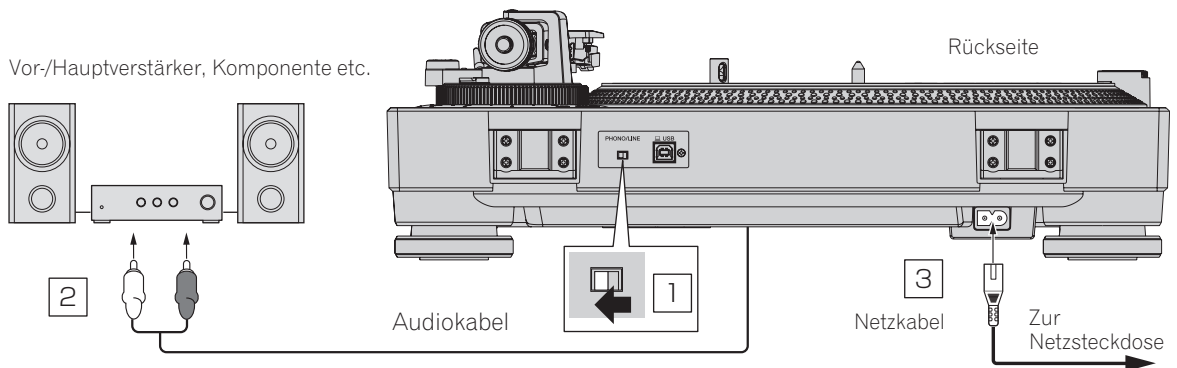
**2 Schließen Sie das Audio-Kabel an die [LINE]-Eingangsbuchse der Aktivlautsprecher usw. an.**

- Benutzen Sie, falls nötig, das mitgelieferte Audio-Adapterkabel.

**3 Schließen Sie das Netzkabel an.**

Stellt die Verbindung zum Stromnetz mit dem mitgelieferten Netzkabel her. Warten Sie, bis alle Verbindungen zwischen den Geräten hergestellt sind, bevor Sie das Netzkabel anschließen.

## Anschluss an einen Vor-/Hauptverstärker und eine Komponente



**1 Stellen Sie den [PHONO/LINE]-Schalter auf [PHONO].**

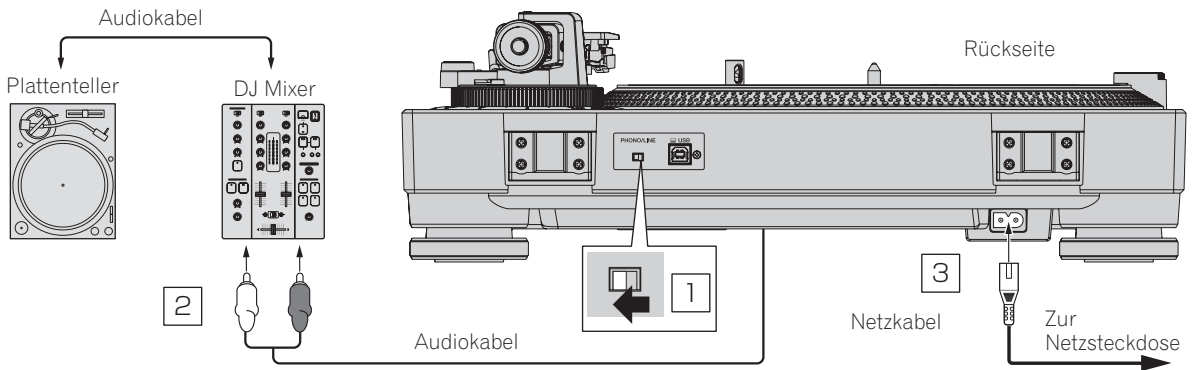
**2 Verbinden Sie das Audiokabel mit der [PHONO] -Eingangsbuchse des Vor-/Hauptverstärkers oder einer anderen Komponente.**

- Wenn dieses Produkt an einen Vor-/Hauptverstärker oder eine Komponente ohne [PHONO]-Buchse angeschlossen ist, kann keine ausreichende Lautstärke- und Tonqualität erzielt werden. Stellen Sie in diesem Fall den [PHONO/LINE]-Schalter dieses Geräts auf [LINE] und schließen Sie dann dieses Gerät an die [LINE]-Eingangsbuchse des Vor-/Hauptverstärkers oder der Komponente an oder benutzen Sie einen Phono-Equalizer.

**3 Schließen Sie das Netzkabel an.**

Stellt die Verbindung zum Stromnetz mit dem mitgelieferten Netzkabel her. Warten Sie, bis alle Verbindungen zwischen den Geräten hergestellt sind, bevor Sie das Netzkabel anschließen.

## Anschluss an einen DJ-Mixer



**1** Stellen Sie den [PHONO/LINE]-Schalter auf [PHONO].

**2** Schließen Sie das Audio-Kabel an die [PHONO]-Eingangsbuchse des DJ-Mixers an.

- Wenn dieses Produkt an einen DJ-Mixer ohne [PHONO]-Eingangsbuchse angeschlossen ist, kann keine ausreichende Lautstärke- und Tonqualität erzielt werden. Stellen Sie in diesem Fall den [PHONO/LINE]-Schalter dieses Geräts auf [LINE] und schließen Sie dann das Gerät an die [LINE]-Eingangsbuchse des DJ-Mixers an.

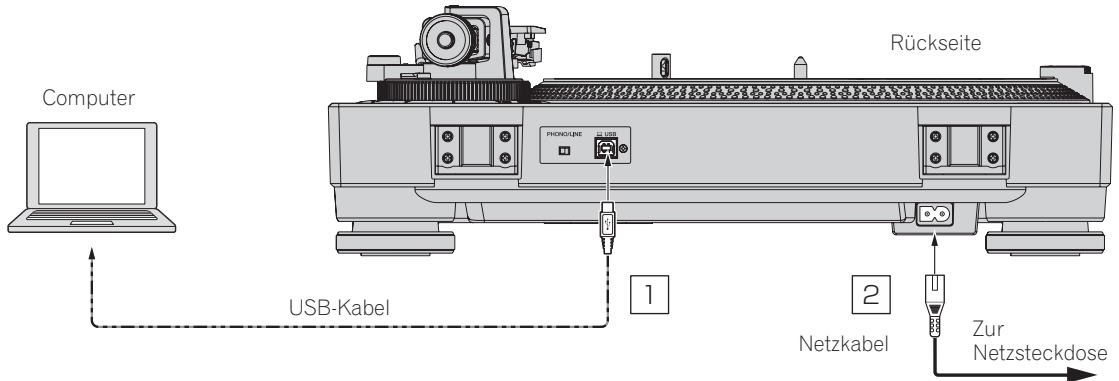
**3** Schließen Sie das Netzkabel an.

Stellt die Verbindung zum Stromnetz mit dem mitgelieferten Netzkabel her. Warten Sie, bis alle Verbindungen zwischen den Geräten hergestellt sind, bevor Sie das Netzkabel anschließen.

## Verbinden mit einem Computer

Eine USB-Treibersoftware wird für dieses Gerät nicht benötigt.

➤ *Aufnahme* (S.15)



**1** Schließen Sie das USB-Kabel an den USB-Anschluss am Computer an.

**2** Schließen Sie das Netzkabel an.

Stellt die Verbindung zum Stromnetz mit dem mitgelieferten Netzkabel her. Warten Sie, bis alle Verbindungen zwischen den Geräten hergestellt sind, bevor Sie das Netzkabel anschließen.

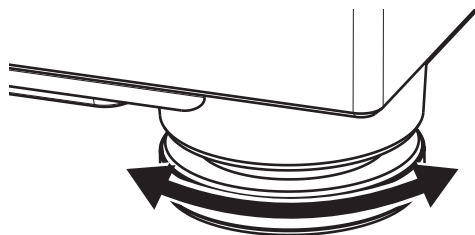
## Installationsort

Stellen Sie das Gerät auf eine ebene Oberfläche, die keinen externen Vibrationen ausgesetzt ist.

- Halten Sie das Gerät so weit wie möglich vom Lautsprechersystem entfernt.
- Wenn sich das Gerät in der Nähe eines Radios befindet (AM/UKW-Empfang), könnte das Radio Rauschen verursachen. Halten Sie einen so großen Abstand wie möglich.

## Anpassen der Höhe des Hauptgeräts

Passen Sie die Höhe an, indem Sie die Dämpfer so drehen, dass das Hauptgerät horizontal steht.



# Bedienung

## Einschalten der Stromversorgung

**1 Stellen Sie alle Verbindungen her und stecken Sie dann den Netzstecker in eine Steckdose.**

⇒ Anschlüsse (S.12)

**2 Bringen Sie den [POWER]-Schalter in die [ON]-Position, um das Gerät einzuschalten.**

Die Anzeigen dieses Geräts leuchten auf, und es wird mit Strom versorgt.

## Ausschalten der Stromversorgung

**Bringen Sie den [POWER]-Schalter in die [OFF]-Position, um das Gerät auszuschalten.**

Die Stromversorgung dieses Geräts schaltet aus.

## Wiedergabe

Nehmen Sie folgende Vorgänge vor.

- Legen Sie eine Schallplatte auf den Plattenteller.
- Entfernen Sie die Nadelabdeckung und die Armhalterung.

**1 Bringen Sie den [POWER]-Schalter in die [ON]-Position, um das Gerät einzuschalten.**

**2 Wählen Sie die Drehzahl, um die abzuspielende Schallplatte durch Drücken einer Drehzahländerungstaste entsprechend einzustellen.**

**3 Drücken Sie die Taste [START/STOP].**

Der Plattenteller dreht sich.

**4 Ziehen Sie den Anhebehebel nach oben, und setzen Sie den Tonarm auf die Schallplatte.**

**5 Drücken Sie den Anhebehebel nach unten.**

Der Tonarm senkt sich langsam ab, und die Wiedergabe beginnt.

## Anhalten der Wiedergabe

**Ziehen Sie den Anhebehebel nach oben.**

Die Nadel des Tonabnehmers hebt sich von der Schallplatte ab.

- Um die Wiedergabe fortzusetzen, drücken Sie den Anhebehebel nach unten.

## Beenden der Wiedergabe

**1 Ziehen Sie den Anhebehebel nach oben, damit der Tonarm zur Armstütze zurückkehrt, und drücken Sie dann den Anhebehebel nach unten.**

**2 Drücken Sie die Taste [START/STOP].**

Der Plattenspieler hält behutsam an.

**3 Bringen Sie den [POWER]-Schalter in die [OFF]-Position, um das Gerät auszuschalten.**

Sichern Sie den Tonarm mit der Armhalterung.

Bringen Sie die Nadelabdeckung an, um die Nadelspitze zu schützen.

Schließen Sie die Abdeckhaube.

## Anpassen der Tonhöhe

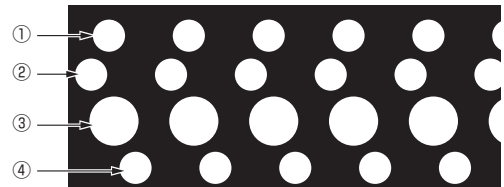
**Bewegen Sie den Schieber [TEMPO] vorwärts oder rückwärts.**

Wenn der Schieber nach vorn bewegt wird, erhöht sich die Drehzahl.

Wenn der Schieber nach hinten bewegt wird, verringert sich die Drehzahl.

- Wenn sich der [TEMPO]-Schieber in der Mitte befindet, leuchtet die Anzeige gelbgrün und die Drehzahl wechselt zur angegebenen U/Min (33 1/3 U/Min, 45 U/Min oder 78 U/Min).
- Die Skala des [TEMPO]-Schiebers ist nur ein ungefährender Wert. Nutzen Sie ihn als Referenz.
- Sie können überprüfen, ob die Drehzahl zur angegebenen U/Min gewechselt ist, indem Sie auf die vier Reihen mit dem Stroboskopmuster rings am Plattenspieler Bezug nehmen.

## Stroboskopmuster



① Wenn sich das Stroboskop-Muster scheinbar nicht mehr ändert, 33 1/3 U/Min (50 Hz Stromversorgung)

② Wenn sich das Stroboskop-Muster scheinbar nicht mehr ändert, 45 U/Min (50 Hz Stromversorgung)

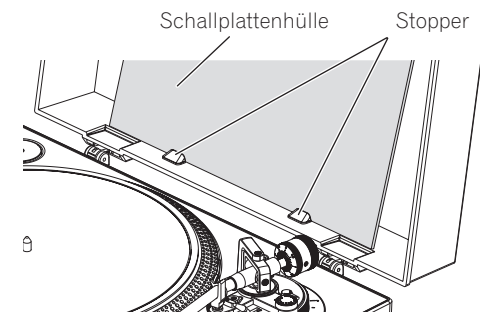
③ Wenn sich das Stroboskop-Muster scheinbar nicht mehr ändert, 33 1/3 U/Min (60 Hz Stromversorgung)

④ Wenn sich das Stroboskop-Muster scheinbar nicht mehr ändert, 45 U/Min (60 Hz Stromversorgung)

- Eine Stroboskop-Beleuchtung (rote LED-Leuchte) erzeugt das Stroboskopmuster dieses Geräts. Benutzen Sie zum Überprüfen der Tonhöhe immer die Leuchte der Stroboskop-Beleuchtung.

## Aufstellen einer Schallplattenhülle

Stellen Sie die Schallplattenhülle hinter die Stopper, die an der Abdeckhaube angebracht sind, wie in der Abbildung gezeigt.



- Stellen Sie nur Schallplattenhüllen auf.
- Stellen Sie die Schallplattenhülle korrekt hinter die Stopper.
- Während Sie diese Funktion während der Wiedergabe benutzen, achten Sie darauf, dass die Schallplattenhülle nicht umfällt. Die Schallplatte oder die Nadel können möglicherweise beschädigt werden.
- Achten Sie darauf, nicht die Abdeckhaube zu schließen, während eine Schallplattenhülle darin steht.

## Abspielen einer Standard-EP

Setzen Sie den EP-Adapter auf die mittlere Spindel, und drücken Sie auf die [45]-Taste.

## Beleuchtung der Nadelspitze

Wenn der Nadelbeleuchtungsschalter betätigt wurde, leuchtet die Nadelbeleuchtung in weiß und reicht bis zur Beleuchtungsposition der Nadelspitze.

- Falls dies nicht erwünscht ist, drücken Sie auf die Nadelbeleuchtung, um sie abzusenken. Der Nadelbeleuchtungsschalter erlischt.
- Schauen Sie nicht direkt ins Licht, wenn die Nadelbeleuchtung leuchtet.

## Aufnahme

Analoge Schallplatten können durch die Verbindung mit einem Computer mit der installierten Musikverwaltungssoftware rekordbox digital aufgenommen werden.

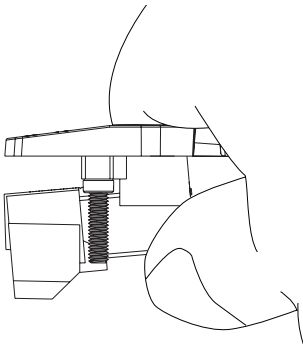
Details finden Sie auf der nachstehenden rekordbox-Produktseite und in der Bedienungsanleitung von rekordbox unter [Support].

<https://rekordbox.com/en/store/>

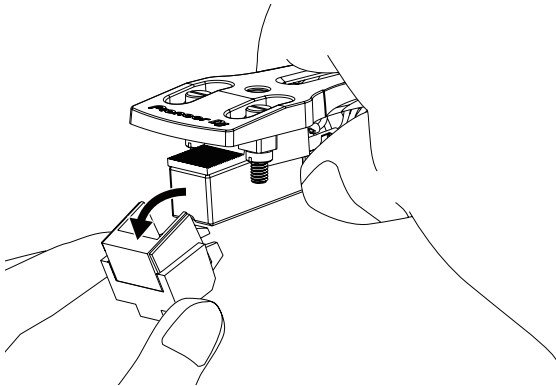
## Austauschen der Nadel

Überprüfen Sie, ob das Gerät nicht eingeschaltet ist, bevor Sie das folgende Verfahren ausführen.

### 1 Halten Sie den Tonabnehmer mit einer Hand.



### 2 Entfernen Sie den Tonabnehmer in Pfeilrichtung, während Sie den Nadelhalterteil mit der anderen Hand halten.



## Wechseln des Tonabnehmers

Dieses Gerät ist nicht mit MC-Tonabnehmern kompatibel. Verwenden Sie einen VM-Tonabnehmer oder einen MM-Tonabnehmer.

## Entfernen des Tonabnehmers

- 1 Entfernen Sie die Schrauben, Muttern und Unterlegscheiben am Tonabnehmerkopf.
- 2 Entfernen Sie die Führungsdrähte, die am Tonabnehmer angebracht sind.

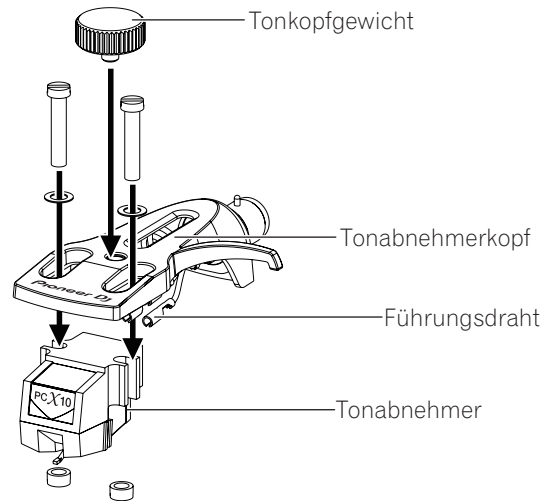
## Anbringen des Tonabnehmers

### 1 Bringen Sie den Tonabnehmer an, während Sie die Farben der Führungsdrähte des Tonabnehmerkopfs an den Symbolen der Klemmen des Tonabnehmers ausrichten.

Richten Sie die Farben der Führungsdrähte des Tonabnehmerkopfs an den Symbolen an den Klemmen des Tonabnehmers wie folgt aus. Wenn man von vorne schaut: oben links ist L+: weiß, unten links ist L-: blau, oben rechts ist R+: rot und unten rechts ist R-: grün.

- Schließen Sie die Führungsdrähte mit einer Zange oder ähnlichen Werkzeugen sicher an.

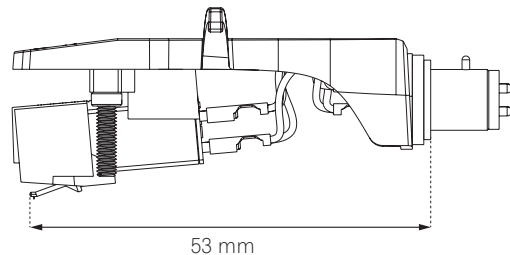
### 2 Bringen Sie den Tonabnehmer am Tonabnehmerkopf mit den Schrauben, Muttern und Unterlegscheiben an, die mit dem Tonabnehmer mitgeliefert wurden.



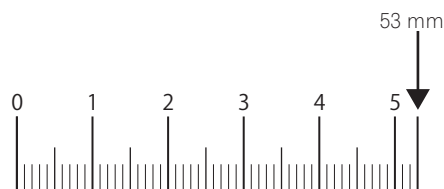
- Bringen Sie den Tonabnehmer ordnungsgemäß am Tonabnehmerkopf an.
- Verwenden Sie beim Gebrauch eines Tonabnehmers von weniger als 5 g das mitgelieferte Tonkopfgewicht.

## Anpassen des Überhangs

Verwenden Sie die folgende Überhanganpassungsskala, um die Position mithilfe der Tonabnehmer-Einstellschraube so einzurichten, dass die Nadelspitze einen Abstand von 53 mm zur Tonarmbefestigung erreicht.



## Überhanganpassungsskala



# Zusätzliche Informationen

## Störungssuche

- Bedienungsfehler werden oft irrtümlich für Störungen oder Ausfälle gehalten. Wenn Sie den Eindruck haben, dass diese Komponente nicht ordnungsgemäß funktioniert, überprüfen Sie bitte die Punkte unten und **[FAQ]** für **[PLX-500]** auf der Pioneer DJ-Support-Website. <http://pioneerdj.com/support/>  
Manchmal liegt das Problem an einer anderen Komponente. Überprüfen Sie die anderen Komponenten und elektrischen Geräte, die verwendet werden. Wenn das Problem nicht behoben werden kann, bitten Sie Ihre nächste Kundendienstvertretung oder Ihren Fachhändler, die Reparatur durchzuführen.
- Dieses Gerät kann möglicherweise aufgrund von statischer Elektrizität oder anderen externen Faktoren nicht richtig arbeiten. In diesem Fall kann richtiger Betrieb durch Ausschalten, mindestens 1 Minute Warten und dann erneutes Einschalten wieder hergestellt werden.

Problem	Prüfen	Abhilfe
Das Gerät schaltet nicht ein.	Ist das Netzkabel richtig angeschlossen?	Schließen Sie das mitgelieferte Netzkabel richtig an eine Steckdose an.
	Ist der <b>[POWER]</b> -Schalter für die Stromversorgung auf <b>[ON]</b> gestellt?	Stellen Sie den <b>[POWER]</b> -Schalter für die Stromversorgung auf <b>[ON]</b> .
Es wird kein oder nur sehr schwacher Ton erzeugt.	Sind die Audiokabel richtig angeschlossen?	Schließen Sie die Audiokabel richtig an.
	Sind Buchsen und Stecker verschmutzt?	Reinigen Sie Buchsen und Stecker vor dem Herstellen von Verbindungen.
	Ist der Tonabnehmerkopf richtig angeschlossen?	Schließen Sie den Tonkopf richtig an.
Der linke und rechte Ton sind vertauscht.	Sind die linken und rechten Anschlüsse für jedes Ausrüstungsteil vertauscht?	Verbinden Sie das Audiokabel und die Führungsdrähte des Tonabnehmerkopfs ordnungsgemäß.
Während der Wiedergabe ist ein tiefes Brummgeräusch (Summen oder Surren) zu hören.	Befindet sich ein elektrisches Gerät wie eine Neonlampe oder sein Netzkabel in der Nähe des Anschlusskabels?	Verlegen Sie das Netzkabel der Neonlampe oder stellen Sie ein anderes Gerät so weit entfernt wie möglich auf.
Die Nadelspitze berührt nicht die Schallplatte.	Ist der Nadeldruck richtig eingestellt?	Stellen Sie das Gegengewicht auf den geeigneten Nadeldruckwert für Ihren Tonabnehmer ein.
	Ist der Arm horizontal ausgerichtet?	Drehen Sie das Gegengewicht so weit, bis der Tonarm horizontal steht.
Es treten Nadelsprünge auf.	Ist der Nadeldruck richtig eingestellt?	Stellen Sie das Gegengewicht auf den geeigneten Nadeldruckwert für Ihren Tonabnehmer ein.
	Ist die Schallplatte verzogen oder zerkratzt?	Überprüfen Sie den Zustand der Schallplatte.
	Hat sich an der Nadelspitze viel Staub angesammelt?	Nehmen Sie den Kopf mit Tonabnehmer ab, und entfernen Sie mit einer weichen Bürste oder einem Pinsel vorsichtig jeglichen Staub usw. von der Nadelspitze.
	Ist das Anti-Skating richtig eingestellt?	Stellen Sie das Anti-Skating richtig ein.
	Ist die Armhöhe richtig eingestellt?	Stellen Sie die Armhöhe richtig ein.
Der Arm stoppt während der Wiedergabe und bewegt sich nicht weiter.	Ist die Schallplatte zerkratzt?	Überprüfen Sie den Zustand der Schallplatte.
	Berührt der Arm etwas?	Überprüfen Sie den Armbereich und entfernen Sie ein etwaiges Hindernis.
Die Lautstärke ist zu niedrig oder zu hoch (verzerrt).	Wurde der Anschluss an den Verstärker ordnungsgemäß für diesen Tonabnehmer (Ausgabe) vorgenommen?	Schließen Sie die Verbindungskabel richtig an.
	Ist die Einstellung des <b>[PHONO/LINE]</b> -Schalters korrekt?	Stellen Sie den <b>[PHONO/LINE]</b> -Schalter entsprechend der Eingangsbuchse des angeschlossenen Geräts ein.
Der sich drehende Plattenspieler schwankt stark.	Schmutz befindet sich an den Montageteilen des Plattenspielers und der mittleren Spindel.	Entfernen Sie den Schmutz.

## Vorsichtshinweise

### Über Kondensation

Wassertröpfchen (Kondensation) können sich im Gerät (auf Funktionsteilen und Linsen) im Winter absetzen, zum Beispiel wenn das Gerät von einem kalten Ort in einen warmen Raum gebracht wird oder wenn die Temperatur im Raum, in dem das Gerät installiert ist, plötzlich ansteigt (durch Heizung usw.). Das Gerät funktioniert nicht richtig und kann nicht zur Wiedergabe verwendet werden, wenn sich im Inneren Kondensation gebildet hat. Lassen Sie das Gerät 1 bis 2 Stunden lang bei Raumtemperatur stehen (die genaue erforderliche Zeit ist je nach Bedingungen der Kondensation unterschiedlich), ohne es einzuschalten. Die Wassertröpfchen verdampfen, und das Gerät wird betriebsbereit. Kondensation kann auch im Sommer auftreten, z.B. wenn das Gerät dem direkten Luftstrom von einer Klimaanlage, usw. ausgesetzt ist. In diesem Fall stellen Sie das Gerät an einem anderen Ort auf.

## Transport des Geräts an einen anderen Ort

Verpacken Sie das Gerät in seine Originalverpackungsmaterialien. Wenn die Originalverpackungsmaterialien nicht mehr vorhanden ist, nehmen Sie Folgendes vor.

- Entfernen Sie die Slipmat und den Plattenspieler vor dem Verpacken.
- Entfernen Sie den Tonabnehmerkopf und das Gegengewicht vom Arm, und verpacken Sie beide sorgfältig.
- Sichern Sie den Tonarm mithilfe der Armhalterung und verwenden Sie Klebeband, damit er sich nicht bewegt.
- Wickeln Sie die Haupteinheit in eine Decke oder weiches Papier, damit sie nicht beschädigt wird.
- Packen Sie so, dass keine Kraft auf den Tonarm ausgeübt wird.

## Wartung der einzelnen Teile

Schalten Sie den Verstärker beim Anbringen und Abnehmen des Tonabnehmerkopfs aus.

Wenn Sie diesen Vorgang bei hoher Lautstärke vornehmen, könnte der Lautsprecher beschädigt werden.

- Nehmen Sie den Kopf mit Tonabnehmer ab, und entfernen Sie mit einer weichen Bürste oder einem Pinsel vorsichtig jeglichen Staub usw. von der Nadelspitze.
- Reinigen Sie Schallplatten mit einem geeigneten und hochwertigen Schallplattenreiniger.
- Reinigen Sie den Tonabnehmerkopfanschluss mit einem weichen Tuch o. ä., und befestigen Sie ihn dann erneut am Tonarm.

## Reinigen der Abdeckhaube usw.

Reinigen Sie die Abdeckhaube und das Gehäuse mit einem weichen Tuch

- Reinigen Sie die Abdeckhaube nicht während der Wiedergabe. Durch statische Elektrizität könnte die Abdeckhaube am Tonarm ziehen.

## Über Markenzeichen und eingetragene Markenzeichen

- "Pioneer DJ" ist ein Markenzeichen der PIONEER CORPORATION und wird unter Lizenz verwendet.
- rekordbox ist eine Marke oder eingetragene Marke der Pioneer DJ Corporation.

Die hier erwähnten Produkt- oder Firmennamen sind Marken oder eingetragene Marken der jeweiligen Eigentümer.

## Technische Daten

Stromanforderungen

..... 110 V bis 120 V oder 220 V bis 240 V Wechselspannung, 50 Hz/60 Hz  
 Leistungsaufnahme..... 11 W  
 Gewicht des Hauptgeräts..... 10,7 kg  
 Max. Abmessungen..... 450 mm (B) × 158,5 mm (H) × 367,5 mm (T)  
 Betriebstemperatur ..... +5 °C bis +35 °C  
 Betriebsluftfeuchtigkeit..... 5 % bis 85 % (keine Kondensation)

### Plattentellereinheit

Antriebsmethode ..... Servomotor-Direktantrieb  
 Motor ..... 3-phasiger bürstenloser Gleichstrommotor  
 Bremssystem ..... Elektronische Bremsvorrichtung  
 Drehzahl ..... 33 1/3 U/Min, 45 U/Min, 78 U/Min  
 Drehzahl-Anpassungsbereich ..... ±8 %  
 Gleichlaufschwankungen..... 0,15 % oder weniger WRMS  
 Signalrauschabstand ..... 50 dB oder höher  
 Plattenteller..... Umfang des Aluminiumdruckgußes: 332 mm  
 Anlaufdrehmoment ..... 1,6 kg·cm oder mehr  
 Anlaufzeit..... 1 Sekunden oder weniger (bei 33 1/3 U/Min)

### Tonarmeinheit

Armtyp ..... Universaler S-förmiger Tonarm,  
 kardanisch abgestütztes Drucklager, statischer Ausgleichstyp  
 Effektive Länge ..... 230,5 mm  
 Überhang..... 16 mm  
 Spurfehler..... Innerhalb von 3°  
 Armhöhe-Anpassungsbereich..... 6 mm  
 Variabler Nadeldruckbereich ..... 0 g bis 4,0 g (1 Skala 0,1 g)  
 Korrektes Tonabnehmergewicht.... 9,5 g oder weniger (ein Tonabnehmer)  
 Tonabnehmer-Typ ..... VM

### Ausgangsspannung

PHONO..... 2,5 mV/1 kHz  
 LINE..... 150 mV/1 kHz

— Änderungen der technischen Daten und das Design dieses Geräts ohne vorherige Ankündigung bleiben vorbehalten.

- © 2016 Pioneer DJ Corporation. Alle Rechte vorbehalten.



Se si vuole eliminare questo prodotto, non gettarlo insieme ai rifiuti domestici. Esiste un sistema di raccolta differenziata in conformità alle leggi che richiedono appositi trattamenti, recupero e riciclo.

I privati cittadini dei paesi membri dell'UE, di Svizzera e Norvegia, possono restituire senza alcun costo i loro prodotti elettronici usati ad appositi servizi di raccolta o a un rivenditore (se si desidera acquistarne uno simile).

Per i paesi non citati qui sopra, si prega di prendere contatto con le autorità locali per il corretto metodo di smaltimento.

In questo modo, si è sicuri che il proprio prodotto eliminato subirà il trattamento, il recupero e il riciclo necessari per prevenire gli effetti potenzialmente negativi sull'ambiente e sulla vita dell'uomo.

K058b\_A1\_It

## ATTENZIONE

PER EVITARE IL RISCHIO DI SCOSSE ELETTRICHE, NON RIMUOVERE IL COPERCHIO (O IL RETRO). NON CI SONO PARTI INTERNE LA CUI MANUTENZIONE POSSA ESSERE EFFETTUATA DALL'UTENTE. IN CASO DI NECESSITÀ, RIVOLGERSI ESCLUSIVAMENTE A PERSONALE DI SERVIZIO QUALIFICATO. **D3-4-2-1-1\_B2\_It**

## ATTENZIONE

Questo apparecchio non è impermeabile. Per prevenire pericoli di incendi o folgorazioni, non posizionare nelle vicinanze di questo apparecchio contenitori pieni di liquidi (quali vasi da fiori, o simili), e non esporre l'apparecchio a sgocciolii, schizzi, pioggia o umidità. **D3-4-2-1-3\_A1\_It**

## ATTENZIONE

Per evitare il pericolo di incendi, non posizionare sull'apparecchio dispositivi con fiamme vive (ad esempio una candela accesa, o simili). **D3-4-2-1-7a\_A1\_It**

## Condizioni ambientali di funzionamento

Gamma ideale della temperatura ed umidità dell'ambiente di funzionamento:  
da +5 °C a +35 °C, umidità relativa inferiore all'85 % (fessure di ventilazione non bloccate)

Non installare l'apparecchio in luoghi poco ventilati, o in luoghi esposti ad alte umidità o alla diretta luce del sole (o a sorgenti di luce artificiale molto forti). **D3-4-2-1-7c\*\_A1\_It**

## AVVERTENZA PER LA VENTILAZIONE

Installare l'apparecchio avendo cura di lasciare un certo spazio all'intorno dello stesso per consentire una adeguata circolazione dell'aria e migliorare la dispersione del calore (almeno 15 cm sulla parte superiore, 5 cm sul retro, e 5 cm su ciascuno dei lati).

## ATTENZIONE

L'apparecchio è dotato di un certo numero di fessure e di aperture per la ventilazione, allo scopo di garantirne un funzionamento affidabile, e per proteggerlo dal surriscaldamento. Per prevenire possibili pericoli di incendi le aperture non devono mai venire bloccate o coperte con oggetti vari (quali giornali, tovaglie, tende o tendaggi, ecc.), e l'apparecchio non deve essere utilizzato appoggiandolo su tappeti spessi o sul letto. **D3-4-2-1-7b\*\_A1\_It**

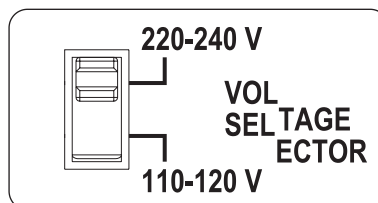
Questo prodotto è destinato esclusivamente all'uso domestico. Eventuali disfunzioni dovute ad usi diversi (quali uso prolungato a scopi commerciali, in ristoranti, o uso in auto o su navi) e che richiedano particolari riparazioni, saranno a carico dell'utente, anche se nel corso del periodo di garanzia. **K041\_A1\_It**

## Selettore della tensione

L'interruttore del selettore della tensione è posizionato sul pannello superiore nei modelli multi-tensione.

**L'impostazione di fabbrica del selettore della tensione è 220-240 V. Impostarla sulla tensione corretta del paese o regione di propria residenza.**

Prima di cambiare la tensione, scollegare il cavo di alimentazione. Utilizzare un cacciavite di medie dimensioni per configurare l'interruttore del selettore della tensione.



D3-4-2-1-5\*\_A2\_It



## AVVERTIMENTO RIGUARDANTE IL FILO DI ALIMENTAZIONE

Prendete sempre il filo di alimentazione per la spina. Non tiratelo mai agendo per il filo stesso e non toccate mai il filo con le mani bagnate, perchè questo potrebbe causare cortocircuiti o scosse elettriche. Non collocate l'unità, oppure dei mobili sopra il filo di alimentazione e controllate che lo stesso non sia premuto. Non annodate mai il filo di alimentazione nè collegatelo con altri fili. I fili di alimentazione devono essere collocati in tal modo che non saranno calpestati. Un filo di alimentazione danneggiato potrebbe causare incendi o scosse elettriche. Controllate il filo di alimentazione regolarmente. Quando localizzate un eventuale danno, rivolgetevi al più vicino centro assistenza oppure al vostro rivenditore per la sostituzione del filo di alimentazione.

S002\*\_A1\_It

### AVVERTENZA

L'interruttore principale (**POWER**) dell'apparecchio non stacca completamente il flusso di corrente elettrica dalla presa di corrente alternata di rete. Dal momento che il cavo di alimentazione costituisce l'unico dispositivo di distacco dell'apparecchio dalla sorgente di alimentazione, il cavo stesso deve essere staccato dalla presa di corrente alternata di rete per sospendere completamente qualsiasi flusso di corrente. Verificare quindi che l'apparecchio sia stato installato in modo da poter procedere con facilità al distacco del cavo di alimentazione dalla presa di corrente, in caso di necessità. Per prevenire pericoli di incendi, inoltre, il cavo di alimentazione deve essere staccato dalla presa di corrente alternata di rete se si pensa di non utilizzare l'apparecchio per periodi di tempo relativamente lunghi (ad esempio, durante una vacanza).

D3-4-2-2-2a\*\_A1\_It

---

---

# Indice

## Come leggere questo manuale

- Vi ringraziamo per avere acquistato questo prodotto Pioneer DJ. Leggere attentamente questo volantino, che include informazioni importanti che devono venire comprese prima di usare questo prodotto. Dopo aver letto queste istruzioni, riporle in un luogo sicuro per poterle consultare di nuovo al momento del bisogno.
- In questo libretto, i nomi dei pulsanti e dei terminali dell'unità principale sono indicati fra parentesi quadre ([ ]).  
Esempi:  
Premere il pulsante [START/STOP].

## 01 Prima di cominciare

Caratteristiche.....	5
Contenuto della confezione.....	5

## 02 Prima di iniziare

Installazione di rekordbox (Mac/Windows).....	6
Montaggio.....	6

## 03 Nome delle varie parti e funzioni

Pannello superiore.....	8
Pannello posteriore.....	9

## 04 Regolazione

Regolazione del bilanciamento del braccio.....	10
Regolazione della pressione della puntina.....	10
Regolazione dell'antiskating.....	11
Regolazione dell'altezza dell'alzabraccio.....	11
Regolazione dell'altezza del braccio.....	11

## 05 Collegamenti

Connessione a diffusori autoalimentati.....	12
Collegamento a un preamplificatore e a un componente.....	12
Collegamento a un mixer DJ.....	13
Collegamento ad un computer.....	13
Posizione di installazione.....	13
Regolazione dell'altezza dell'unità principale.....	13

## 06 Impiego

Accensione.....	14
Spegnimento.....	14
Riproduzione.....	14
Pausa della riproduzione.....	14
Arresto della riproduzione.....	14
Regolazione del pitch.....	14
Alloggio per la copertina del disco.....	14
Per riprodurre un disco EP standard.....	15
Illuminazione dell'estremità della puntina.....	15
Registrazione.....	15
Sostituzione della puntina.....	15
Sostituzione della testina.....	15

## 07 Informazioni aggiuntive

Diagnostica.....	16
Precauzioni per l'uso.....	16
Manutenzione delle parti.....	16
A proposito dei marchi di fabbrica o marchi di fabbrica depositati.....	17
Dati tecnici.....	17

---

---

# Prima di cominciare

---

---

## Caratteristiche

Questa unità è un giradischi a trazione diretta e coppia elevata, perfetto per vari impieghi che vanno dall'ascolto amatoriale all'utilizzo da parte di DJ.

---

## Audio per registrazione analogica di alta qualità

La distanza tra la testina e l'emissione **PHONO/LINE** è stata progettata in modo da risultare la più breve possibile, così da riuscire a riprodurre fedelmente la qualità audio originale dei dischi analogici.

Inoltre, grazie al supporto contemporaneo dell'emissione **PHONO** e dell'emissione **LINE**, è possibile godere dell'alta qualità dell'audio in registrazione analogica, mediante il semplice collegamento di diffusori autoalimentati.

---

## Registrazione digitale semplice

È possibile collegare direttamente l'unità a un PC o un Mac tramite il terminale **USB-B** in dotazione, così da poter registrare le tracce audio del disco analogico nel PC o Mac, convertendole in dati. La registrazione digitale richiede poche semplici operazioni, grazie alla funzione di registrazione inclusa nell'applicazione gratuita per la gestione musicale "rekordbox" (Ver.4.2.1 o successiva).

---

## Giradischi a trazione diretta ideale per performance DJ

L'adozione di un sistema a trazione diretta e coppia elevata permette di utilizzare l'unità per fare scratch, missare e in genere per l'attività da DJ, dopo aver collegato due unità ad un mixer per DJ.

---

## Il coperchio antipolvere può fungere da supporto per la copertina dei dischi

In posizione aperta, il coperchio antipolvere può ospitare le copertine dei dischi. In questo modo è possibile vedere la copertina del disco che si sta ascoltando.

---

## Contenuto della confezione

- Piatto
- Tappetino
- Copripolvere
- Adattatore per dischi EP
- Contrappeso
- Portatestina (testina inclusa)
- Peso della testina
- Cavo di alimentazione
- Cavo USB
- Cavo adattatore audio (da spinotto a spillo (femmina) stereo a spina mini stereo (maschio))
- Garanzia (per alcune regioni)<sup>[1]</sup>
- Istruzioni per l'uso (questo documento)

[1] La garanzia acclusa vale per l'Europa.

### ATTENZIONE

Conservare i piccoli ricambi fuori dalla portata dei bambini e dei bebé. Se inghiottiti accidentalmente, recarsi immediatamente dal medico.

D41-6-4\_A1\_It

# Prima di iniziare

## Installazione di rekordbox (Mac/Windows)

### 1 Accedere a rekordbox.com.

<https://rekordbox.com/it/store/>

- Il contenuto della pagina è soggetto a modifiche senza preavviso.

### 2 Leggere la Guida rapida e quindi fare clic su [Download Gratis].



### 3 Leggere attentamente l'accordo di licenza per l'utente finale del software e selezionare la casella di controllo [Accetta] se si accettano i termini.

Dopo aver selezionato la casella di controllo, sarà possibile fare clic su [Download].

### 4 Fare clic su [Download].

Il download di rekordbox (Mac/Windows) viene avviato.

### 5 Fare doppio clic sul file scaricato per decomprimerlo.

### 6 Fare doppio clic sul file decompresso per avviare il programma di installazione.

### 7 Leggere attentamente l'accordo di licenza per l'utente finale del software e, se si è d'accordo, continuare l'installazione seguendo le istruzioni sullo schermo.

- Se non si è d'accordo con l'accordo di licenza per l'utente finale del software, annullare l'installazione.

### 8 Quando viene visualizzata la schermata di completamento dell'installazione, seguire le istruzioni sullo schermo per chiudere il programma di installazione.

L'installazione è completa.

- Per utilizzare rekordbox dj, rekordbox dvs e rekordbox video è richiesta l'attivazione (autenticazione della licenza). Per ulteriori dettagli, vedere le Istruzioni per l'uso di rekordbox.

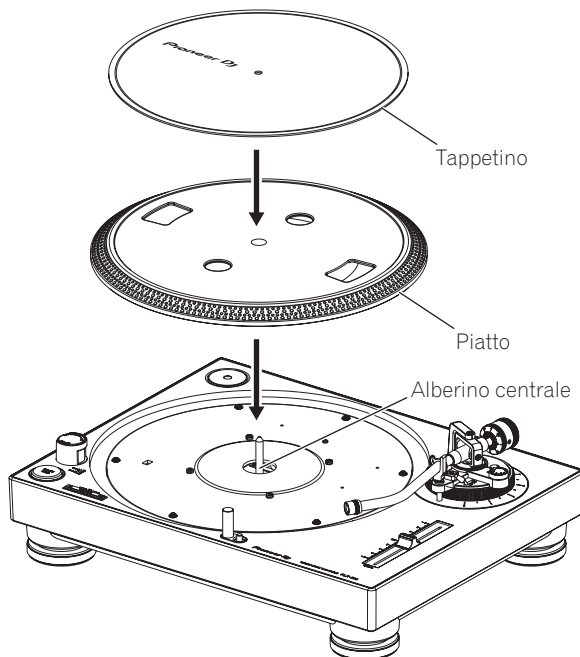
<https://rekordbox.com/it/support/manual.php>

## Montaggio

### 1 Montare il piatto e il tappetino.

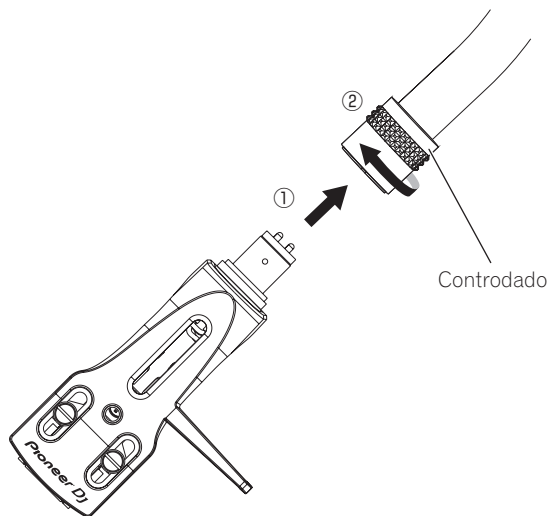
Collocare il piatto sull'alberino centrale e posizionare il tappetino sopra il piatto.

- Non urtare il piatto dell'unità principale e non farlo cadere.

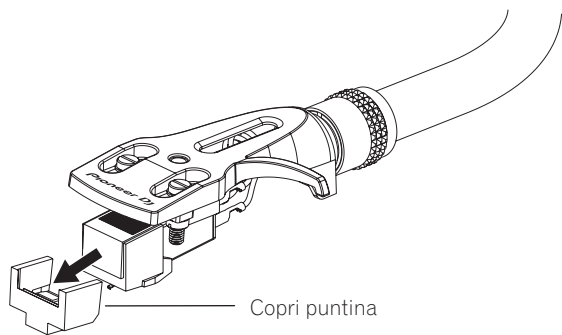


### 2 Montaggio il portatestina.

Inserire il portatestina con la testina installata nel braccio quindi, tenendo il portatestina in posizione orizzontale, stringere il controdado.

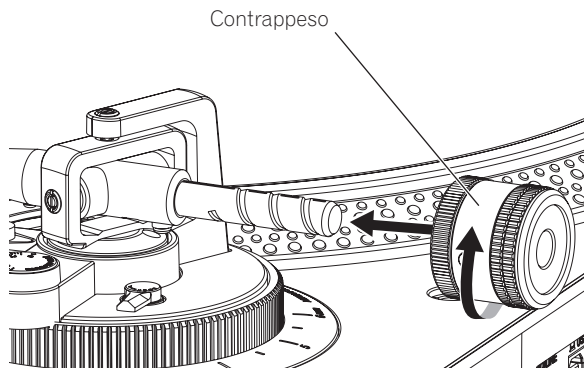


- Prima dell'utilizzo, rimuovere il copri testina senza toccare la testina.



### 3 Montaggio il contrappeso.

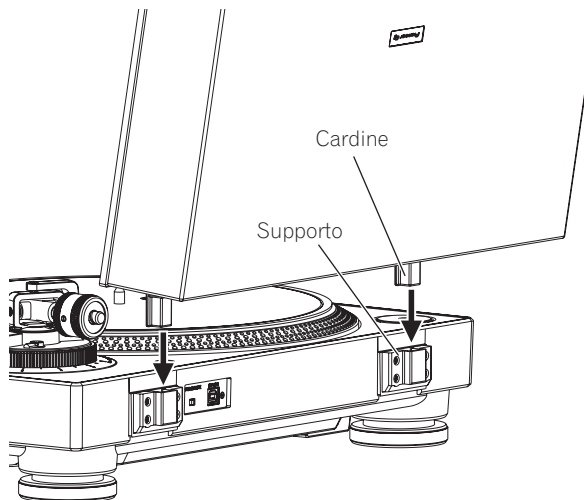
Fissare il contrappeso sul retro del braccio.



### Montare il coperchio antipolvere.

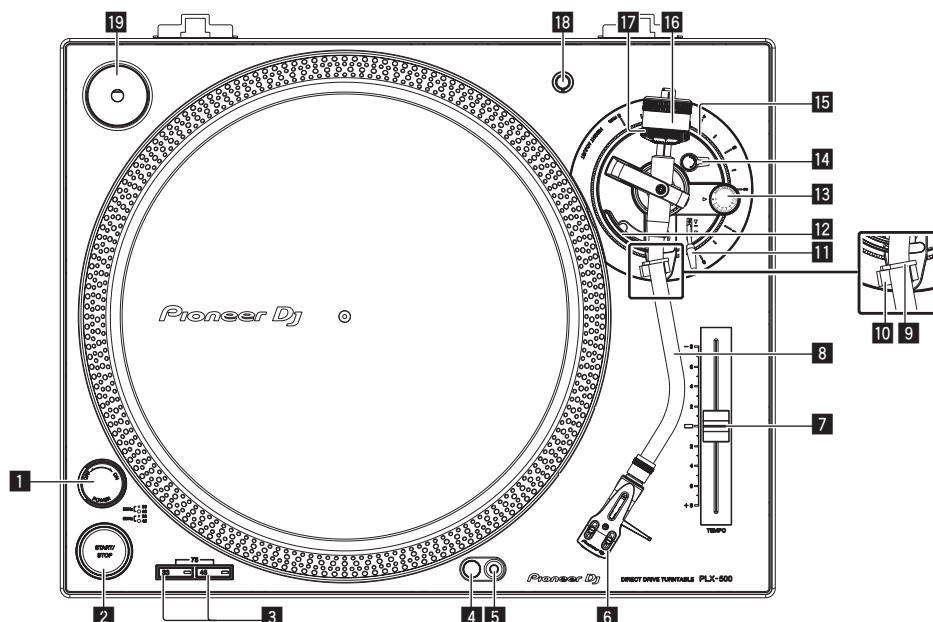
**Inserire i cardini del coperchio antipolvere nei relativi supporti posti nel pannello posteriore dell'unità.**

Per rimuovere il coperchio antipolvere, tirare i cardini verso l'esterno mentre il coperchio si trova in posizione aperta.



# Nome delle varie parti e funzioni

## Pannello superiore



### 1 Interruttore POWER

Quando si porta l'interruttore in posizione [ON], l'unità si accende e la luce stroboscopica laterale si illumina.

- ↻ Accensione (p.14)
- ↻ Spegnimento (p.14)

### 2 Pulsante START/STOP

Premere il pulsante per avviare o arrestare la rotazione del piatto.

- ↻ Riproduzione (p.14)

### 3 Pulsante di modifica della velocità

Cambia la velocità in base al disco da riprodurre.

- Per un disco a 33 1/3 giri, premere il pulsante [33].
  - Per un disco a 45 giri, premere il pulsante [45].
  - Per un disco a 78 giri, premere contemporaneamente i pulsanti [33] e [45].
- ↻ Riproduzione (p.14)

### 4 Luce della puntina

Si accende per illuminare l'estremità della puntina.

- ↻ Illuminazione dell'estremità della puntina (p.15)

### 5 Interruttore della luce della puntina

La luce della puntina si accende con un colore bianco e arriva fino alla posizione in cui l'estremità della puntina è illuminata.

- ↻ Illuminazione dell'estremità della puntina (p.15)

### 6 Portatestina

### 7 Cursore TEMPO

È possibile scorrerlo avanti e indietro per regolare con precisione la velocità di rotazione.

- ↻ Regolazione del pitch (p.14)

### 8 Braccio

- ↻ Regolazione (p.10)

### 9 Bloccabraccio

Blocca il braccio.

### 10 Poggiabraccio

Serve da base di supporto per il braccio.

### 11 Leva di sollevamento

Tirare questa leva per alzare il braccio e spingerla per abbassarlo.

### 12 Alzabraccio

Dispositivo utilizzato per alzare e abbassare il braccio. È azionato dalla leva di sollevamento.

### 13 Manopola ANTI SKATING

Quando viene riprodotto un disco, viene generata una forza rotatoria che spinge la puntina verso il perimetro interno. Facendo corrispondere questa manopola al valore della pressione della puntina, questo tipo di forza viene eliminato.

- ↻ Regolazione dell'antiskating (p.11)

### 14 Blocco HEIGHT ADJUST

Blocca il braccio all'altezza regolata.

- ↻ Regolazione dell'altezza del braccio (p.11)

### 15 Manopola HEIGHT ADJUST

Consente di regolare l'altezza del braccio.

- ↻ Regolazione dell'altezza del braccio (p.11)

### 16 Contrappeso

Consente di bilanciare il braccio e di regolare la pressione della puntina.

- ↻ Regolazione (p.10)

### 17 Anello di regolazione della pressione della puntina

Consente di impostare la pressione adeguata della puntina della testina.

- ↻ Regolazione della pressione della puntina (p.10)

### 18 Sostegno per portatestina

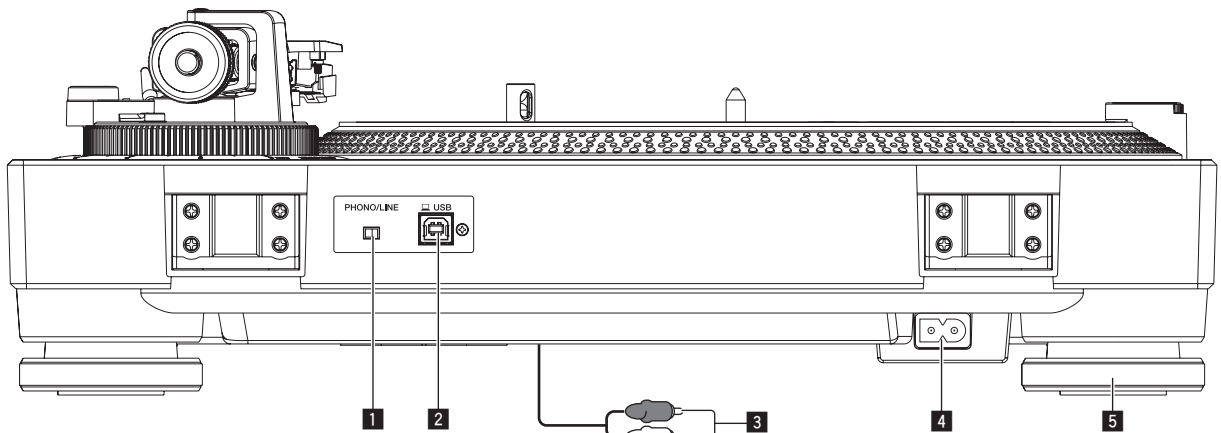
Consente di alloggiare il portatestina.

### 19 Adattatore per dischi EP

Utilizzato per riprodurre dischi EP standard.

- ↻ Per riprodurre un disco EP standard (p.15)

# Pannello posteriore



## 1 Selettore PHONO/LINE

Consente di alternare il livello del suono emesso dall'unità.

- **[PHONO]**: selezionare questa opzione quando l'unità è connessa ad un dispositivo che supporta l'ingresso di livello fono, come ad esempio un preamplificatore o un componente.
- **[LINE]**: selezionare questa opzione quando l'unità è connessa ad un dispositivo che supporta l'ingresso di livello linea, come ad esempio degli diffusori autoalimentati.



## ATTENZIONE

Non connettere l'unità ad un dispositivo che supporta l'ingresso di livello fono se l'interruttore **PHONO/LINE** è in posizione **[LINE]**.

## 2 Terminale USB

Collegare qui il cavo USB (in dotazione).

- ➔ *Collegamento ad un computer (p.13)*

## 3 Cavo audio

- ➔ *Collegamenti (p.12)*

## 4 AC IN

Si collega ad una presa di corrente col cavo di alimentazione accluso. Collegare il cavo di alimentazione solo a collegamenti fra unità completati.

- Usare solo il cavo di alimentazione accluso.

## 5 Isolatore

Elimina l'effetto delle vibrazioni esterne. Se si ruota l'isolatore, è possibile regolare l'altezza del piatto.

- ➔ *Regolazione dell'altezza dell'unità principale (p.13)*

# Regolazione

## Regolazione del bilanciamento del braccio

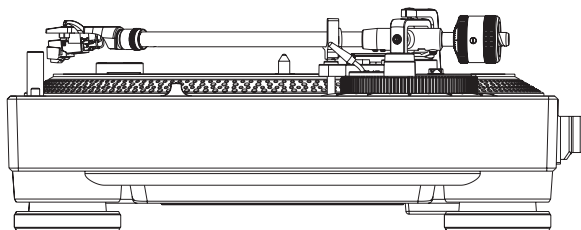
Poiché il peso della testina e del portatestina varia a seconda del prodotto, è necessario regolare il bilanciamento del braccio. Effettuare i seguenti preparativi.

- Rimuovere il copripuntina e il bloccabraccio, facendo attenzione a non toccare l'estremità della puntina.
- Spingere la leva di sollevamento verso il basso.
- Impostare la manopola [ANTI SKATING] su "0".

### Sollevare il braccio dal portabraccio e regolare il bilanciamento in modo che si trovi in posizione orizzontale.

Ruotare il contrappeso finché il braccio non rimane in posizione quasi del tutto orizzontale.

- Quando si sposta il braccio, fare attenzione affinché l'estremità della puntina non tocchi direttamente il piatto.



## Regolazione della pressione della puntina

Per impedire che la testina salti o che venga generato un suono distorto, è necessario regolare la pressione della puntina a seconda del tipo di testina.

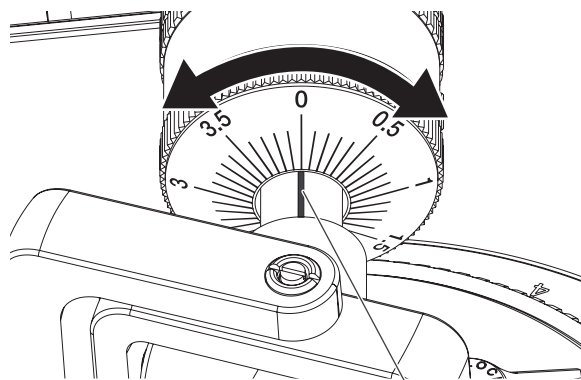
Il valore di pressione sonora corretto per la puntina in dotazione varia da 3,0 g a 4,0 g.

Effettuare i seguenti preparativi.

- Riportare il braccio sul poggiabraccio e fermarlo con il bloccabraccio.

### 1 Far corrispondere lo "0" sull'anello di regolazione per la pressione della puntina con la linea centrale dell'asta posteriore del braccio.

Utilizzando un dito per tenere fermo il contrappeso in modo che non si muova, ruotare l'anello di regolazione per la pressione della puntina in modo che il numero "0" si trovi sulla linea centrale nera dell'asta posteriore del braccio.

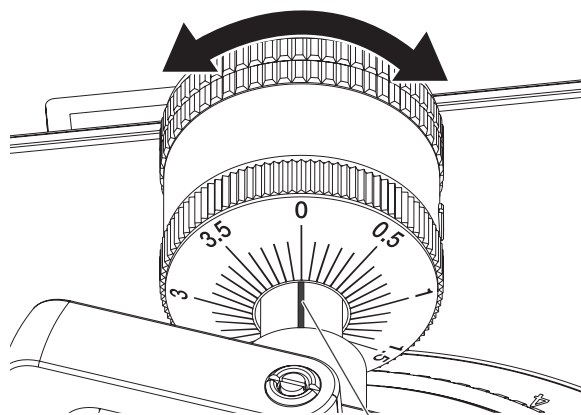


Linea centrale

### 2 Regolare la pressione della puntina.

Ruotare il contrappeso per impostare il valore adeguato per la pressione della puntina a seconda della testina in uso.

- Quando si ruota il contrappeso, ruota anche l'anello di regolazione per la pressione della puntina. Mentre si osserva l'anello di regolazione, impostare la pressione della puntina sul valore appropriato.



Linea centrale

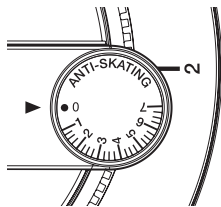


## Regolazione dell'antiskating

Questa regolazione consente di impedire i salti della puntina.

### Far corrispondere la posizione della scala con il valore della pressione della puntina.

Ruotare la manopola [ANTI SKATING] in modo da far corrispondere la linea di riferimento con lo stesso valore della pressione della testina.



## Se si usa la tecnica scratch

Per impedire che la puntina salti, far corrispondere la posizione della scala all'azionamento del piatto durante la riproduzione.

## Regolazione dell'altezza dell'alzabraccio

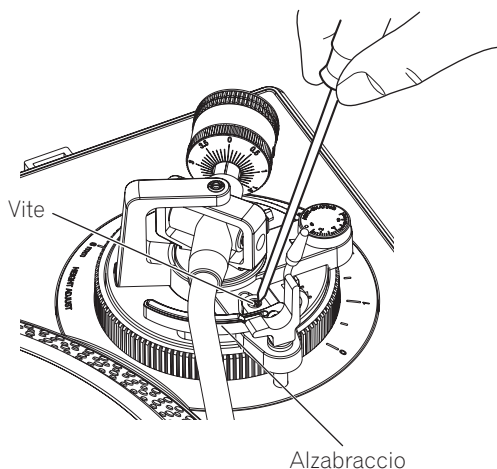
Se si utilizza una puntina diversa da quella fornita in dotazione, occorre modificare quest'impostazione in modo che rispetti il valore corretto della puntina usata.

Effettuare i seguenti preparativi.

- Posizionare un disco sul tappetino.
- Rimuovere il copripuntina e il bloccabraccio, facendo attenzione a non toccare l'estremità della puntina.
- Alzare la leva di sollevamento e spostare il braccio sul disco.

### Regolare l'altezza ruotando la vite mentre la leva di sollevamento è abbassata.

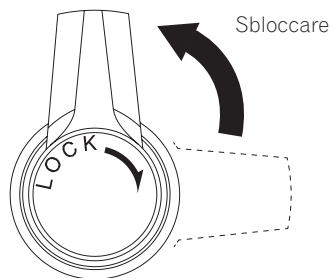
- Ruotare in senso orario per ridurre la distanza tra disco e puntina.
- Ruotare in senso antiorario per aumentare la distanza tra disco e puntina.
- L'altezza dell'alzabraccio, ovvero la distanza tra disco e puntina quando l'alzabraccio è sollevato, è predefinita entro gli 8 mm e i 13 mm circa.



## Regolazione dell'altezza del braccio

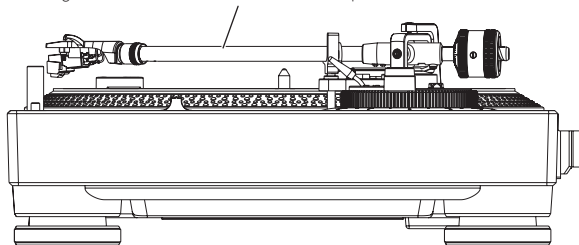
Con la puntina fornita in dotazione, utilizzare la posizione "0". Se si utilizza una puntina diversa da quella fornita in dotazione, occorre modificare quest'impostazione in modo che rispetti il valore corretto della puntina usata.

### 1 Ruotare il blocco [HEIGHT ADJUST] per sbloccarlo.

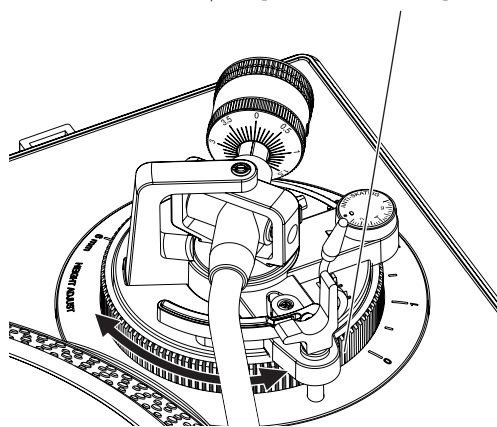


### 2 Abbassare la leva di sollevamento e collocare la puntina sul disco, quindi regolare la manopola [HEIGHT ADJUST] in modo che il braccio e il disco siano paralleli.

Regolare in modo che il braccio sia in posizione orizzontale.



Manopola [HEIGHT ADJUST]



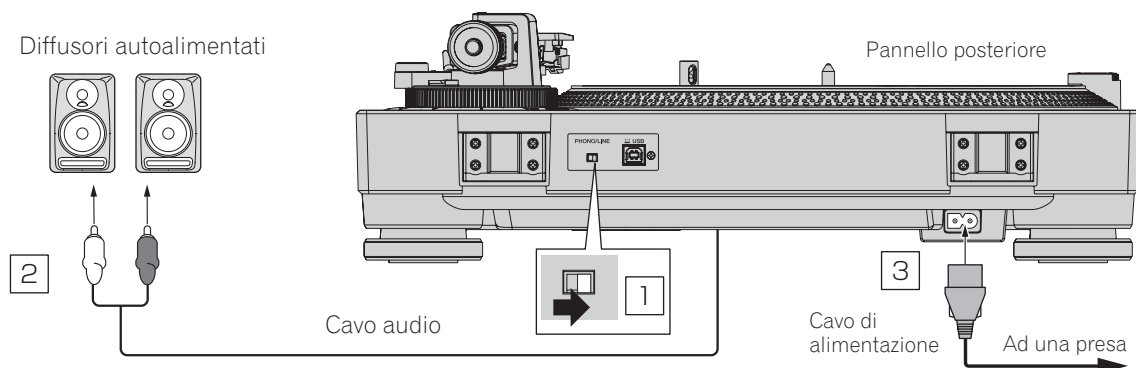
### 3 Ruotare il blocco [HEIGHT ADJUST] per fissare l'altezza del braccio.

Dopo aver regolato l'altezza del braccio, ruotare sempre il blocco [HEIGHT ADJUST] per fissare il braccio.

# Collegamenti

- Prima di fare o modificare collegamenti, non mancare di spegnere l'apparecchio e di scollegare il cavo di alimentazione.
- Consultare le istruzioni per l'uso del componente da collegare.
- Collegare il cavo di alimentazione dopo che tutti i collegamenti fra dispositivi sono stati fatti.

## Connessione a diffusori autoalimentati



**1** Portare l'interruttore [PHONO/LINE] in posizione [LINE].

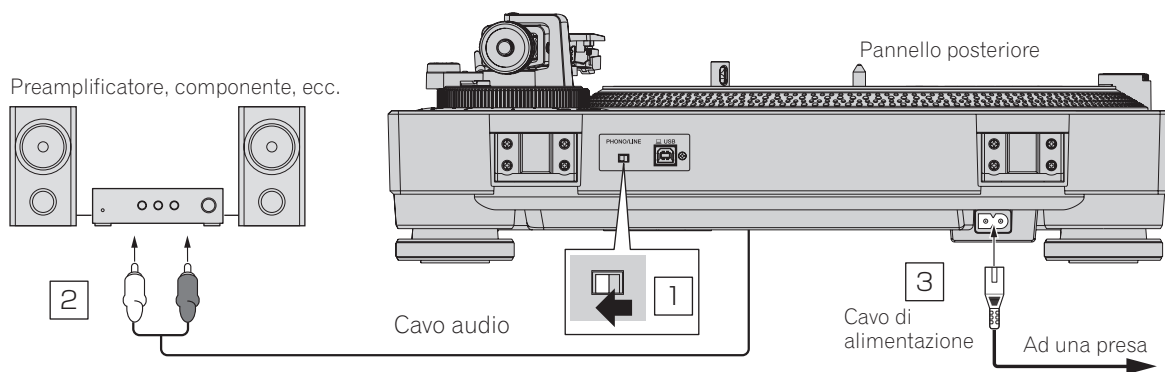
**2** Collegare il cavo audio al terminale di ingresso [LINE] dei diffusori autoalimentati o dispositivi analoghi.

- Se necessario, utilizzare il cavo adattatore audio in dotazione.

**3** Collegare il cavo di alimentazione.

Si collega ad una presa di corrente col cavo di alimentazione accluso. Collegare il cavo di alimentazione solo a collegamenti fra unità completati.

## Collegamento a un preamplificatore e a un componente



**1** Portare l'interruttore [PHONO/LINE] in posizione [PHONO].

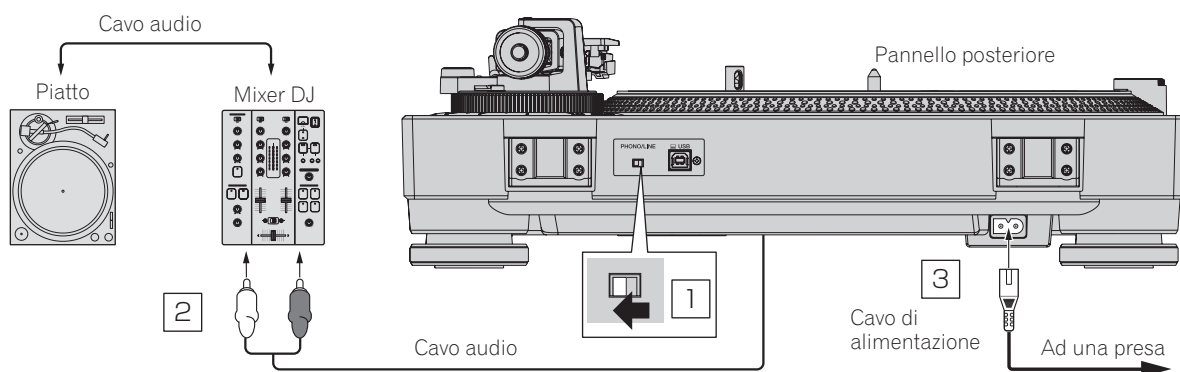
**2** Collegare il cavo audio al terminale di ingresso [PHONO] del preamplificatore o di un altro componente.

- Se questo prodotto è collegato a un preamplificatore o a un componente che non dispone di terminale [PHONO], non sarà possibile ottenere un volume e una qualità sonora adeguati. In questo caso, portare l'interruttore [PHONO/LINE] di questa unità in posizione [LINE] e collegare l'unità al terminale di ingresso [LINE] del preamplificatore o del componente, oppure utilizzare un equalizzatore fono.

**3** Collegare il cavo di alimentazione.

Si collega ad una presa di corrente col cavo di alimentazione accluso. Collegare il cavo di alimentazione solo a collegamenti fra unità completati.

## Collegamento a un mixer DJ



**1** Portare l'interruttore [PHONO/LINE] in posizione [PHONO].

**2** Collegare il cavo audio al terminale di ingresso [PHONO] del mixer DJ.

- Se questo prodotto è collegato a un mixer DJ che non dispone di terminale [PHONO], non sarà possibile ottenere un volume e una qualità sonora adeguati. In questo caso, portare l'interruttore [PHONO/LINE] di questa unità in posizione [LINE] e collegare l'unità al terminale di ingresso [LINE] del mixer DJ.

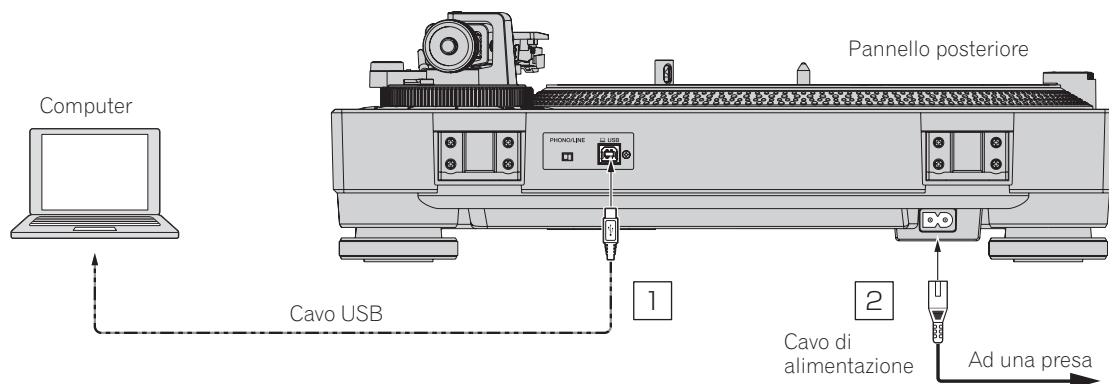
**3** Collegare il cavo di alimentazione.

Si collega ad una presa di corrente col cavo di alimentazione accluso. Collegare il cavo di alimentazione solo a collegamenti fra unità completati.

## Collegamento ad un computer

Questa unità non necessita di software driver per USB.

➔ *Registrazione* (p.15)



**1** Collegare il cavo USB ad una porta USB del computer.

**2** Collegare il cavo di alimentazione.

Si collega ad una presa di corrente col cavo di alimentazione accluso. Collegare il cavo di alimentazione solo a collegamenti fra unità completati.

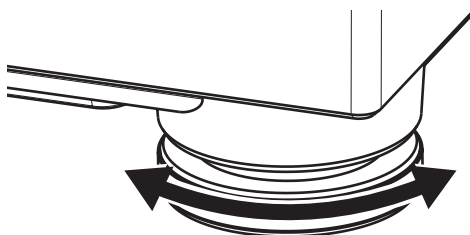
## Posizione di installazione

Collocare l'unità su una superficie piana, in modo che non sia soggetta a vibrazioni esterne.

- Per quanto possibile, tenere l'unità lontana dagli altoparlanti.
- Se l'unità è molto vicina a una radio che trasmette nelle frequenze AM/FM, questa potrebbe generare dei disturbi. Tenere l'unità quanto più possibile lontana dalla radio.

## Regolazione dell'altezza dell'unità principale

Per regolare l'altezza, ruotare l'isolatore in modo che l'unità principale sia in posizione orizzontale.



# Impiego

## Accensione

**1 Stabilire tutti i collegamenti e inserire il cavo di alimentazione a una presa di corrente.**

➔ *Collegamenti* (p.12)

**2 Portare l'interruttore [POWER] in posizione [ON] per accendere l'unità.**

Gli indicatori di questa unità si accendono ed essa si accende.

## Spegnimento

**Portare l'interruttore [POWER] in posizione [OFF] per spegnere l'unità.**

Questa unità si spegne.

## Riproduzione

Effettuare i seguenti preparativi.

- Collocare un disco sul piatto.
- Rimuovere il copritestina e il bloccabraccio.

**1 Portare l'interruttore [POWER] in posizione [ON] per accendere l'unità.**

**2 Selezionare la velocità di rotazione in base al disco da riprodurre, mediante la pressione del relativo pulsante di velocità.**

**3 Premere il pulsante [START/STOP].**

Il piatto inizia a girare.

**4 Alzare la leva di sollevamento e spostare il braccio sul disco.**

**5 Spingere la leva di sollevamento verso il basso.**

Il braccio scende lentamente e il disco viene riprodotto.

## Pausa della riproduzione

**Spingere la leva di sollevamento verso l'alto.**

La puntina della testina si stacca dal disco.

- Per riprendere la riproduzione, spingere la leva di sollevamento verso il basso.

## Arresto della riproduzione

**1 Alzare la leva di sollevamento per riportare il braccio sul poggiabraccio, quindi spingere la leva di sollevamento verso il basso.**

**2 Premere il pulsante [START/STOP].**

Il giradischi si arresta in modo graduale.

**3 Portare l'interruttore [POWER] in posizione [OFF] per spegnere l'unità.**

Utilizzare il bloccabraccio per tenere bloccato il braccio.

Fissare il copritestina per proteggere la testina.

Chiudere il coperchio antipolvere.

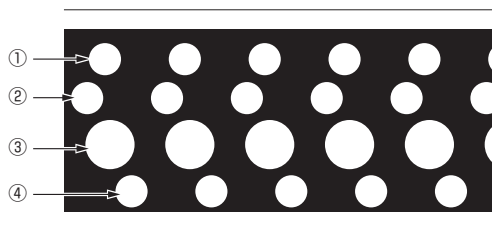
## Regolazione del pitch

**Muovere [TEMPO] in avanti o indietro.**

Spostare il cursore in avanti per aumentare la velocità di rotazione oppure indietro per diminuirla.

- Quando il cursore [TEMPO] si trova in posizione centrale, l'indicatore diventa di colore giallo-verde e viene adottata la velocità di rotazione impostata (33 1/3 giri, 45 giri o 78 giri).
- La scala del cursore [TEMPO] è indica un valore approssimativo, che va usato solo come riferimento.
- A conferma di ciò, è possibile fare riferimento alle quattro righe dei disegni stroboscopici presenti intorno al piatto.

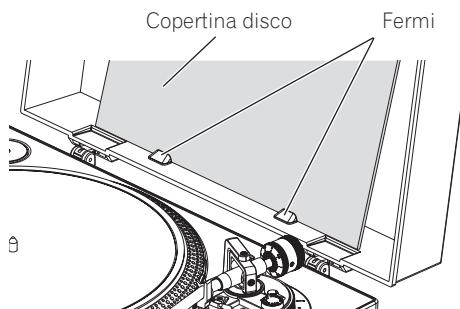
## Disegno stroboscopico



- ① Quando il disegno stroboscopico appare fermo, 33 1/3 giri (con alimentazione a 50 Hz)
  - ② Quando il disegno stroboscopico appare fermo, 45 giri (con alimentazione a 50 Hz)
  - ③ Quando il disegno stroboscopico appare fermo, 33 1/3 giri (con alimentazione a 60 Hz)
  - ④ Quando il disegno stroboscopico appare fermo, 45 giri (con alimentazione a 60 Hz)
- La luce stroboscopica (LED rosso) illumina il disegno stroboscopico dell'unità. Utilizzare sempre la luce stroboscopica per verificare il pitch.

## Alloggio per la copertina del disco

Posizionare la copertina dietro i fermi presenti all'interno del coperchio antipolvere, come mostrato in figura.



- Questo spazio non è adatto ad ospitare oggetti diversi dalle copertine dei dischi.
- Le copertine devono essere ben ferme dietro gli appositi fermi.
- Durante la riproduzione, prestare attenzione ad evitare il rischio che la copertina possa ribaltarsi, finendo per danneggiare il disco o la puntina.
- Non chiudere il coperchio antipolvere senza aver prima rimosso la copertina eventualmente presente.

## Per riprodurre un disco EP standard

Collocare l'adattatore per dischi EP nell'alberino centrale e premere il pulsante [45].

## Illuminazione dell'estremità della puntina

Quando si preme l'apposito interruttore, la luce della puntina si accende con un colore bianco e arriva fino alla posizione in cui l'estremità della puntina è illuminata.

- Se non è necessario, premere l'interruttore della luce della puntina per spegnerla.
- Non rivolgere lo sguardo diretto alla luce della puntina quando è accesa.

## Registrazione

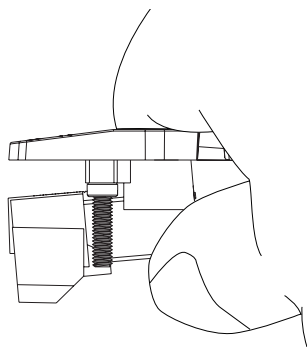
È possibile registrare i dischi analogici in digitale, collegando questa unità a un computer su cui è installato il software di gestione musicale "rekordbox".

Per ulteriori dettagli, accedere al sito di rekordbox indicato di seguito e vedere le Istruzioni per l'uso di rekordbox in [Supporto].  
<https://rekordbox.com/it/store/>

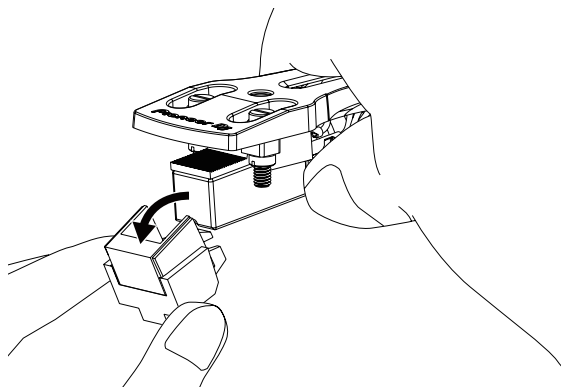
## Sostituzione della puntina

Prima di eseguire questa procedura, accertarsi che l'apparecchio non sia acceso.

### 1 Mantenere la testina con una mano.



### 2 Rimuovere la testina in direzione della freccia, mantenendo ferma l'alloggio della testina con l'altra mano.



## Sostituzione della testina

Questa unità supporta testine di tipo MC. È possibile utilizzare testine VM o MM.

## Rimozione della testina

- 1 Rimuovere le viti, i dadi e le rondelle del portatestina.
- 2 Scollegare i cavi elettrici collegati alla testina.

## Installazione della testina

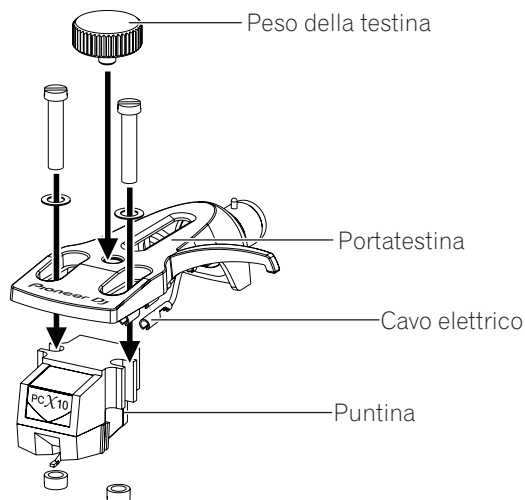
### 1 Collegare la testina avendo cura di rispettare i colori dei cavi elettrici del portatestina e i simboli dei terminali della testina.

Fare attenzione a rispettare i colori dei cavi elettrici del portatestina e i simboli dei terminali della testina, come indicato di seguito.

Da una vista frontale, in alto a sinistra "L+": bianco", in basso a sinistra "L-": blu", in alto a destra "R+": rosso" e in basso a destra "R-": verde".

- Fissare i cavi elettrici utilizzando delle pinzette o un utensile simile.

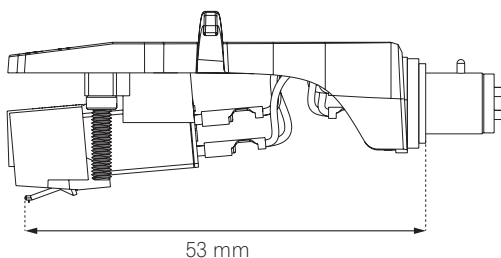
### 2 Installare la testina sul portatestina, mediante le viti, i dadi e le rondelle in dotazione alla testina.



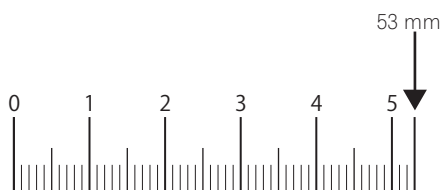
- Procedere avendo cura di posizionare correttamente la testina all'interno del portatestina.
- Se si usa una testina con un peso uguale o inferiore a 5 g, utilizzare l'apposito peso in dotazione.

## Regolazione della sporgenza

Utilizzare la seguente scala di regolazione della sporgenza per regolare la posizione mediante la vite di fissaggio della testina in modo che l'estremità della puntina si trovi a 53 mm dal punto di attacco del braccio.



### Scala di regolazione della sporgenza



# Informazioni aggiuntive

## Diagnostica

- L'uso scorretto dell'apparecchio viene spesso scambiato per un guasto. Se si ritiene che questa unità abbia qualche guasto, controllare i punti seguenti e le **[FAQ]** del **[PLX-500]** sul sito di supporto di Pioneer DJ.  
<http://pioneerdj.com/support/>  
A volte il problema risiede in un altro componente. Controllare gli altri componenti e apparecchi elettronici usati. Se il problema non può essere eliminato, contattare il più vicino centro assistenza o rivenditore per richiedere una riparazione.
- Questa unità può non funzionare a causa di elettricità statica o altre influenze esterne. In questo caso, il funzionamento corretto dovrebbe tornare spegnendo questa unità, attendendo un minuto e riaccende.

Problema	Controllare	Rimedio
L'apparecchio non è acceso.	Il cavo di alimentazione è collegato correttamente?	Collegare bene il cavo di alimentazione accluso ad una presa di corrente.
	L'interruttore <b>[POWER]</b> di alimentazione è impostato su <b>[ON]</b> ?	Impostare l'interruttore <b>[POWER]</b> di alimentazione su <b>[ON]</b> .
Audio assente o insufficiente.	I cavi audio sono collegati correttamente?	Collegare correttamente i cavi audio.
	I terminali o gli spinotti sono sporchi?	Pulire i terminali e gli spinotti prima di procedere con i collegamenti.
	Il portatestina è collegato correttamente?	Collegare il portatestina in modo adeguato.
L'audio di sinistra e quello di destra sono invertiti.	I collegamenti per i canali sinistro e destro di ogni apparecchiatura sono invertiti?	Collegare correttamente i cavi audio e i cavi elettrici del portatestina.
Durante la riproduzione si ascoltano dei disturbi di sottofondo.	Vicino al cavo di collegamento è presente un dispositivo elettronico come una lampada fluorescente o il rispettivo cavo di alimentazione?	Collocare il più lontano possibile il cavo di alimentazione della lampada fluorescente o di qualsiasi altro dispositivo.
La puntina non scende sul disco.	La pressione della puntina è stata regolata in modo adeguato?	Fa corrispondere il contrappeso con il valore adeguato per la pressione della puntina a seconda della testina in uso.
	Il braccio è bilanciato orizzontalmente?	Ruotare il contrappeso finché il braccio non rimane in posizione orizzontale.
La puntina salta.	La pressione della puntina è stata regolata in modo adeguato?	Fa corrispondere il contrappeso con il valore adeguato per la pressione della puntina a seconda della testina in uso.
	Il disco è distorto o graffiato?	Controllare lo stato del disco.
	Sulla puntina è presente molta polvere?	Rimuovere il portatestina con la testina e utilizzare un pennellino con punta morbida per rimuovere polvere e residui simili dalla puntina.
	L'antiskating è regolato correttamente?	Regolare l'antiskating in modo corretto.
	L'altezza del braccio è regolata correttamente?	Regolare l'altezza del braccio in modo corretto.
Il braccio si ferma e non avanza.	Il disco è graffiato?	Controllare lo stato del disco.
	Il braccio entra a contatto con qualcosa?	Controllare la zona del braccio e, se è presente qualche ostacolo, rimuoverlo.
Il volume è troppo basso o troppo alto (distorto).	Il collegamento all'amplificatore è adeguato al tipo di testina (uscita)?	Collegare correttamente i cavi di collegamento.
	La posizione dell'interruttore <b>[PHONO/LINE]</b> è corretta?	Impostare l'interruttore <b>[PHONO/LINE]</b> correttamente in base al terminale di ingresso del dispositivo collegato.
Il piatto giradischi non è stabile.	Deve essersi formata della polvere o altro sporco tra le parti di collegamento del piatto e l'alberino centrale.	Rimuovere la polvere e ogni altro tipo di sporco.

## Precauzioni per l'uso

### La condensa

In inverno, all'interno dell'unità (sulle parti in funzione e sulle lenti) si potrebbero formare delle goccioline di acqua (condensa), ad esempio, se l'unità viene spostata da un luogo freddo ad una stanza calda oppure se la temperatura della stanza in cui l'unità è installata sale improvvisamente (col riscaldamento, ecc.). Con della condensa all'interno, l'unità non sarà in grado di funzionare in modo appropriato e la riproduzione risulterà impossibile. Lasciare l'unità a riposo da 1 a 2 ore a temperatura ambiente (per quanto questo tempo dipenda dalle condizioni di condensa) senza attivare l'alimentazione. Le goccioline d'acqua evaporeranno e la riproduzione sull'unità diverrà nuovamente possibile. La condensa può formarsi anche in estate se l'unità viene esposta direttamente al flusso d'aria di un condizionatore, ecc. Se ciò dovesse accadere, spostare l'unità in una posizione diversa.

### Spostamento e trasporto dell'unità

Utilizzare il materiale originale per imballare l'unità.

Se il materiale di imballaggio originale non è disponibile, effettuare le seguenti operazioni.

- Staccare il tappetino e il piatto prima dell'imballaggio.
- Staccare il portatestina e il contrappeso e imballarli con cura.
- Utilizzare il bloccabraccio per tenere fermo il braccio e applicare anche del nastro adesivo in modo che non si muova.
- Avvolgere l'unità principale con un panno o un foglio di carta morbida in modo che non venga danneggiato.
- Imballare avendo cura di evitare che una qualsiasi forza possa raggiungere il braccio.

## Manutenzione delle parti

Quando si collega e si scollega il portatestina, spegnere l'amplificatore. Se si dovessero eseguire queste operazioni mentre il volume è alto, gli altoparlanti potrebbero danneggiarsi.

- Rimuovere il portatestina con la testina e utilizzare un pennellino con punta morbida per rimuovere polvere e residui simili dalla puntina.
- Utilizzare un prodotto di buona qualità per pulire i dischi.
- Utilizzare un panno morbido o un altro prodotto simile per pulire il terminale del portatestina, quindi riattaccarlo al braccio.

## Pulizia del coperchio antipolvere e di altre parti

Utilizzare un panno morbido per pulire il coperchio antipolvere e il cabinet

- Non pulire il coperchio antipolvere durante la riproduzione di un disco. L'elettricità statica potrebbe far sì che il braccio venga attratto verso il coperchio antipolvere.

## A proposito dei marchi di fabbrica o marchi di fabbrica depositati

- "Pioneer DJ" è un marchio di PIONEER CORPORATION e viene riportato su licenza.
- rekordbox è un marchio o un marchio registrato di Pioneer DJ Corporation.

I nomi delle aziende e dei prodotti menzionati sono marchi di fabbrica o marchi di fabbrica depositati dei rispettivi proprietari.

## Dati tecnici

Requisiti di alimentazione

CA da 110 V a 120 V o da 220 V a 240 V, 50 Hz/60 Hz  
Consumo di corrente ..... 11 W  
Peso unità principale ..... 10,7 kg  
Dimensioni massime ..... 450 mm (L) × 158,5 mm (A) × 367,5 mm (P)  
Temperature di funzionamento tollerabili ..... Da +5 °C a +35 °C  
Umidità di funzionamento tollerabile ..... Da 5 % a 85 % (senza condensa)

### Piatto

Metodo di azionamento ..... Trazione diretta con servomotore  
Motore ..... Motore CC brushless a tre fasi  
Impianto frenante ..... Freno elettronico  
Velocità di rotazione ..... 33 1/3 giri, 45 giri, 78 giri  
Gamma di regolazione della velocità di rotazione ..... ±8 %  
Wow and flutter ..... 0,15 % o meno WRMS  
Rapporto S/N ..... 50 dB o più  
Piatto ..... In alluminio pressofuso Diametro: 332 mm  
Coppia di avvio ..... 1,6 kg·cm o più  
Tempo di avvio ..... 1 secondo o meno (a 33 1/3 giri)

### Braccio

Tipo di braccio ..... Braccio a S di tipo universale, struttura con supporto a bilanciere, tipo di bilanciamento statico  
Lunghezza effettiva ..... 230,5 mm  
Sporgenza ..... 16 mm  
Errore di tracciamento ..... Entro 3°  
Gamma di regolazione dell'altezza del braccio ..... 6 mm  
Gamma variabile di pressione della puntina ..... Da 0 g a 4,0 g (1 scala di 0,1 g)  
Peso corretto della testina ..... 9,5 g o meno (testina singola)  
Tipo di testina ..... VM

### Tensione di uscita

**PHONO** ..... 2,5 mV/1 kHz  
**LINE** ..... 150 mV/1 kHz

— I dati tecnici ed il design di questo prodotto sono soggetti a modifiche senza preavviso.

- © 2016 Pioneer DJ Corporation. Tutti i diritti riservati.



Deponeer dit product niet bij het gewone huishoudelijk afval wanneer u het wilt verwijderen. Er bestaat een speciaal wettelijk voorgeschreven verzamelsysteem voor de juiste behandeling, het opnieuw bruikbaar maken en de recycling van gebruikte elektronische producten.

In de lidstaten van de EU, Zwitserland en Noorwegen kunnen particulieren hun gebruikte elektronische producten gratis bij de daarvoor bestemde verzamelplaatsen of een verkooppunt (indien u aldaar een gelijkwaardig nieuw product koopt) inleveren.

Indien u zich in een ander dan bovengenoemd land bevindt kunt u contact opnemen met de plaatselijke overheid voor informatie over de juiste verwijdering van het product.

Zodoende zorgt u ervoor dat het verwijderde product op de juiste wijze wordt behandeld, opnieuw bruikbaar wordt gemaakt, gerecycleerd en het niet schadelijk is voor de gezondheid en het milieu.

K058b\_A1\_NI

## LET OP

OM HET GEVAAR VOOR EEN ELEKTRISCHE SHOCK TE VOORKOMEN, DEKSEL (OF RUG) NIET VERWIJDEREN. AAN DE BINNENZIJDE BEVINDEN ZICH GEEN ELEMENTEN DIE DOOR DE GEBRUIKER KUNNEN BEDIEND WORDEN. ENKEL DOOR GEKWALIFICEERD PERSONEEL TE BEDIENEN.

D3-4-2-1-1\_B2\_NI

## WAARSCHUWING

Dit apparaat is niet waterdicht. Om brand of een elektrische schok te voorkomen, mag u geen voorwerp dat vloeistof bevat in de buurt van het apparaat zetten (bijvoorbeeld een bloemenvaas) of het apparaat op andere wijze blootstellen aan waterdruppels, opspattend water, regen of vocht.

D3-4-2-1-3\_A1\_NI

## WAARSCHUWING

Om brand te voorkomen, mag u geen open vuur (zoals een brandende kaars) op de apparatuur zetten.

D3-4-2-1-7a\_A1\_NI

## Gebruiksomgeving

Temperatuur en vochtigheidsgraad op de plaats van gebruik:

+5 °C tot +35 °C, minder dan 85 % RH (ventilatieopeningen niet afgedekt)

Zet het apparaat niet op een slecht geventileerde plaats en stel het apparaat ook niet bloot aan hoge vochtigheid of direct zonlicht (of sterke kunstmatige verlichting).

D3-4-2-1-7c\*\_A1\_NI

Dit apparaat is bestemd voor normaal huishoudelijk gebruik. Indien het apparaat voor andere doeleinden of op andere plaatsen wordt gebruikt (bijvoorbeeld langdurig gebruik in een restaurant voor zakelijke doeleinden, of gebruik in een auto of boot) en als gevolg hiervan defect zou raken, zullen de reparaties in rekening gebracht worden, ook als het apparaat nog in de garantieperiode is.

K041\_A1\_NI

## BELANGRIJKE INFORMATIE BETREFFENDE DE VENTILATIE

Let er bij het installeren van het apparaat op dat er voldoende vrije ruimte rondom het apparaat is om een goede doorstroming van lucht te waarborgen (tenminste 15 cm boven, 5 cm achter en 5 cm aan de zijkanten van het apparaat).

## WAARSCHUWING

De gleuven en openingen in de behuizing van het apparaat zijn aangebracht voor de ventilatie, zodat een betrouwbare werking van het apparaat wordt verkregen en oververhitting wordt voorkomen. Om brand te voorkomen, moet u ervoor zorgen dat deze openingen nooit geblokkeerd worden of dat ze afgedekt worden door voorwerpen (kranten, tafelkleed, gordijn e.d.) of door gebruik van het apparaat op een dik tapijt of een bed.

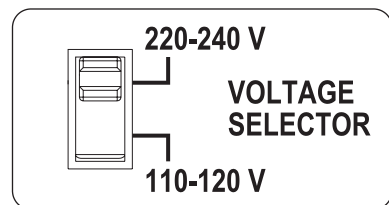
D3-4-2-1-7b\*\_A1\_NI

## Spanningskeuzeschakelaar

De spanningskeuzeschakelaar bevindt zich op het bovenpaneel van modellen die geschikt zijn voor verschillende voltages.

**De fabrieksinstelling van de spanningskeuzeschakelaar is 220-240 V. Stel hem in op de juiste spanning voor uw land of gebied.**

Ontkoppel het netsnoer voordat u de spanning wijzigt. Gebruik een middelgrote schroevendraaier om de stand van de spanningskeuzeschakelaar te wijzigen.



D3-4-2-1-5\*\_A2\_NI



## WAARSCHUWING NETSNOER

Pak het netsnoer beet bij de stekker. Trek de stekker er niet uit door aan het snoer te trekken en trek nooit aan het netsnoer met natte handen aangezien dit kortsluiting of een elektrische schok tot gevolg kan hebben. Plaats geen toestel, meubelstuk o.i.d. op het netsnoer, en klem het niet vast. Maak er nooit een knoop in en verbind het evenmin met andere snoeren. De netsnoeren dienen zo te worden geleid dat er niet per ongeluk iemand op gaat staan. Een beschadigd netsnoer kan brand of een elektrische schok veroorzaken. Controleer het netsnoer af en toe. Wanneer u de indruk krijgt dat het beschadigd is, dient u bij uw dichtstbijzijnde onderhoudscentrum of uw dealer een nieuw snoer te kopen.

S002\*\_A1\_NI

### LET OP

De **POWER** schakelaar van dit apparaat koppelt het apparaat niet volledig los van het lichtnet. Aangezien er na het uitschakelen van het apparaat nog een kleine hoeveelheid stroom blijft lopen, moet u de stekker uit het stopcontact halen om het apparaat volledig van het lichtnet los te koppelen. Plaats het apparaat zodanig dat de stekker in een noodgeval gemakkelijk uit het stopcontact kan worden gehaald. Om brand te voorkomen, moet u de stekker uit het stopcontact halen wanneer u het apparaat langere tijd niet denkt te gebruiken (bijv. wanneer u op vakantie gaat).

D3-4-2-2a\*\_A1\_NI

---

---

# Inhoud

## Opmerkingen over deze handleiding

- Hartelijk dank voor uw aankoop van dit Pioneer DJ product. Lees dit boekje. Het bevat belangrijke informatie die je moet begrijpen voordat je dit product gaat gebruiken. Na het doorlezen van de gebruiksaanwijzing dient u deze te bewaren op een veilige plaats, voor latere naslag.
- Ik dit boekje staan de namen van de toetsen en aansluitingen van het hoofdtoestel tussen vierkante haakjes ([ ]). Voorbeelden:  
Druk op de [START/STOP] knop.

## 01 Alvorens te beginnen

Kenmerken .....	5
Inhoud van de doos .....	5

## 02 Voordat u begint

Installeren van rekordbox (Mac/Windows) .....	6
Montage.....	6

## 03 Overzicht van de bedieningstoetsen

Bovenpaneel.....	8
Achterpaneel.....	9

## 04 Aanpassingen

De balans van de arm aanpassen.....	10
De naaldruk aanpassen .....	10
Anti-skating aanpassen .....	11
De hoogte van de armlift aanpassen .....	11
De hoogte van de arm aanpassen .....	11

## 05 Aansluitingen

Aansluiting op luidsprekers met voeding.....	12
Aansluiting op een pre-hoofdversterker en component .....	12
Verbinding maken met een DJ-mengpaneel .....	13
Aansluiten van een computer .....	13
Geschikte opstelling .....	13
De hoogte van het hoofdtoestel aanpassen.....	13

## 06 Bediening

Inschakelen van de stroom.....	14
Uitschakelen van de stroom .....	14
Afspelen.....	14
Het afspelen pauzeren .....	14
Het afspelen beëindigen .....	14
De toonhoogte aanpassen.....	14
Een platenhoes tonen .....	14
Standaard EP-platen afspelen.....	14
De naaldpunt verlichten.....	15
Opnemen.....	15
De naald vervangen .....	15
Het element vervangen .....	15

## 07 Aanvullende informatie

Verhelpen van storingen .....	16
Voorzorgen bij het gebruik.....	16
Onderhoud van de onderdelen.....	16
Over handelsmerken en gedeponeerde handelsmerken .....	17
Specificaties.....	17

---

---

# Alvorens te beginnen

---

---

## Kenmerken

Dit toestel is een direct aangedreven draaitafel met krachtig koppel voor gebruik in uiteenlopende situaties, van luistergenot in de eigen kamer tot DJ-optredens.

---

## Analoog opnamegeluid van hoge kwaliteit

Het pad van de naaldpunt tot de **PHONO/LINE**-uitgang is zo kort mogelijk ontworpen om de oorspronkelijke geluidskwaliteit van analoge platen getrouw weer te geven.

Bovendien wordt niet alleen een **PHONO**-uitgang maar ook een **LINE**-uitgang ondersteund, en u kunt dus eenvoudig in hoge kwaliteit van analoge platen genieten door eenvoudig luidsprekers met voeding direct aan te sluiten.

---

## Eenvoudig digitaal opnemen

Er is een **USB-B**-aansluiting aanwezig zodat u dit toestel direct met een PC of een Mac kunt verbinden en geluid van analoge platen op een PC of Mac kunt opnemen en digitaal opslaan. Eenvoudig digitaal opnemen is mogelijk met de opnamefunctie van de kosteloze applicatie voor muziekbeheer "rekordbox" (versie 4.2.1 of later).

---

## Direct aangedreven draaitafel voor DJ-optredens

Dankzij toepassing van directe aandrijving met een krachtig koppel kunt u tracks mixen, scratchen en andere DJ-handelingen verrichten door twee van deze toestellen met een DJ-mengpaneel te verbinden.

---

## Stofkap met standaard voor platenhoes

In de stofkap kan een platenhoes getoond worden terwijl hij geopend is. Zo houdt u de platenhoes in het oog terwijl de muziek wordt afgespeeld.

---

---

## Inhoud van de doos

- Draaitafel
- Slijpmat
- Stofhoes
- Adapter voor EP-platen
- Contragewicht
- Kopshell (element inbegrepen)
- Shellgewicht
- Stroomsnoer
- USB-kabel
- Audioadapterkabel (stereo-penstekker (vrouwelijk) naar stereo-ministekker (mannelijk))
- Garantie (voor bepaalde regio's)<sup>[1]</sup>
- Handleiding (dit document)

[1] De meegeleverde garantie is geldig voor de Europese regio.

### WAARSCHUWING

Berg kleine onderdelen op buiten het bereik van kinderen en peuters. Raadpleeg onmiddellijk een arts indien kleine onderdelen per ongeluk worden ingeslikt.

D41-6-4\_A1\_NI

# Voordat u begint

## Installeren van rekordbox (Mac/Windows)

### 1 Ga naar rekordbox.com.

<https://rekordbox.com/en/store/>

- De pagina kan zonder kennisgeving gewijzigd worden.

### 2 Selecteer de startgids en klik op [Free To Download].



### 3 Lees aandachtig de gebruiksvereinkomst voor de software en selecteer het vakje [Akkoord] als u akkoord gaat.

Als u het vakje selecteert, kan [Download] aangeklikt worden.

### 4 Klik op [Download].

Het downloaden van rekordbox (Mac/Windows) begint.

### 5 Dubbelklik op het gedownloadde bestand om het uit te pakken.

### 6 Dubbelklik op het uitgepakte bestand om het installatieprogramma te starten.

### 7 Lees de gebruiksrechtvereinkomst aandachtig, en volg de instructies op het scherm om verder te gaan met de installatie als u akkoord gaat.

- Annuleer de installatie als u niet akkoord gaat met de gebruiksrechtvereinkomst.

### 8 Wanneer op het scherm wordt gemeld dat de installatie voltooid is, volgt u de instructies op het scherm om het installatieprogramma af te sluiten.

Hiermee is de installatie voltooid.

- Voor gebruik van rekordbox dj, rekordbox dvs en rekordbox video is activering (verificatie van de licentie) vereist. Zie voor details de bedieningshandleiding van rekordbox.

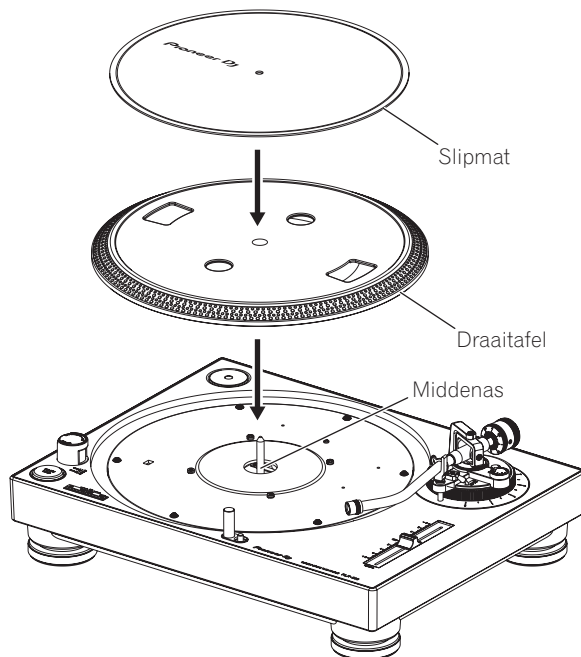
<https://rekordbox.com/en/support/manual.php>

## Montage

### 1 Bevestig de draaitafel en de slipmat.

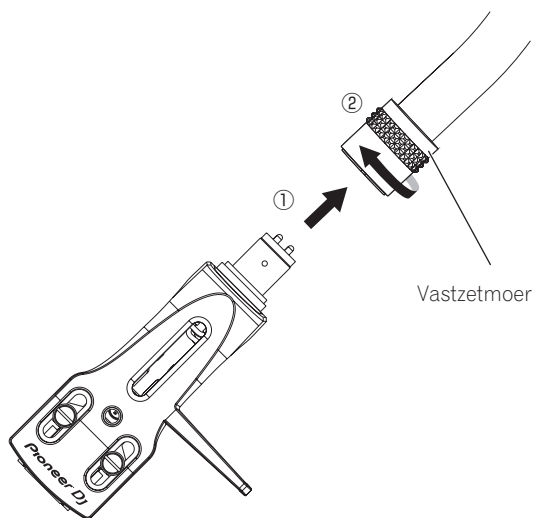
Plaats de draaitafel op de middenas, en de slipmat op de draaitafel.

- Let op dat je niet met de draaitafel tegen het hoofdtoestel stoot en het niet laat vallen.

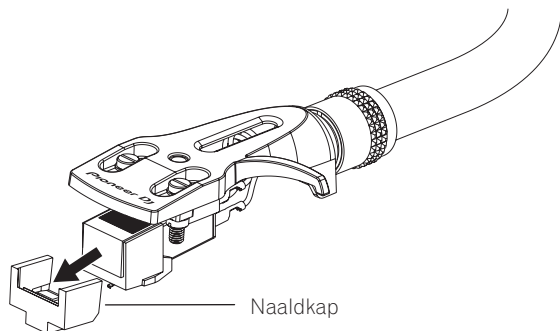


### 2 Bevestig de kopshell.

Steek de kopshell met het bevestigde element op de arm. Houd vervolgens de kopshell horizontaal en draai de vastzetmoer aan.

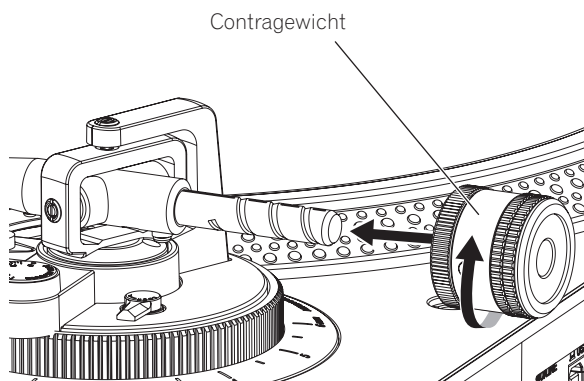


- Verwijder vóór gebruik de naaldkap zonder de naaldpunt aan te raken.



### 3 Bevestig het contragewicht.

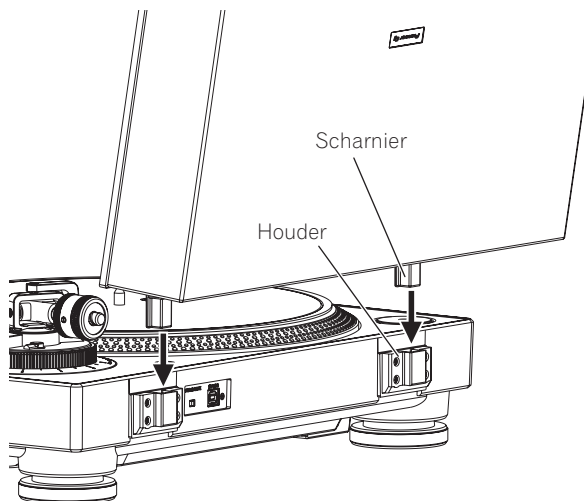
Bevestig het contragewicht aan de achterkant van de arm.



### Bevestig de stofkap.

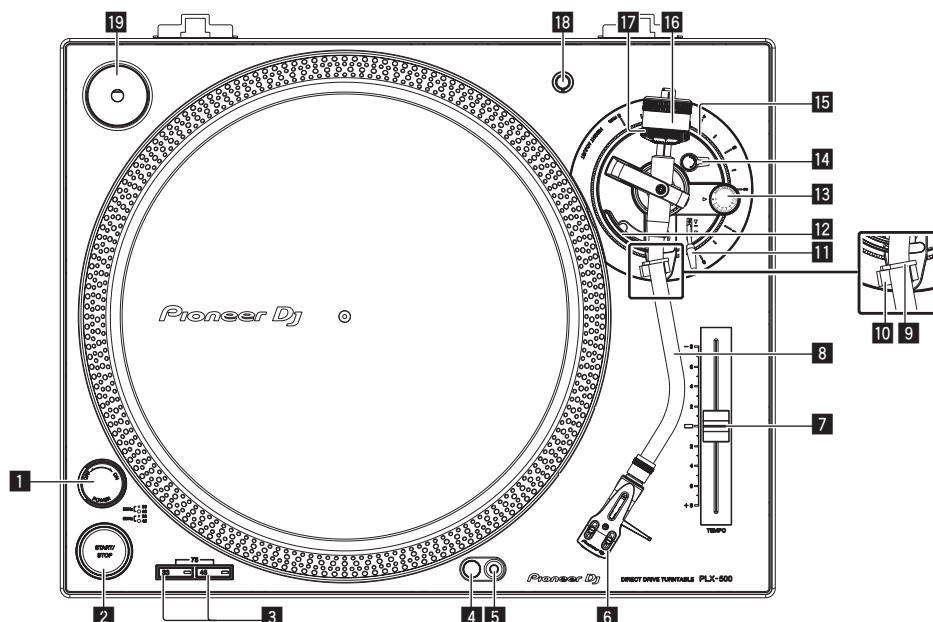
Steek de scharnieren van de stofkap in de houders op het achterpaneel van dit toestel.

U verwijdert de stofkap door de scharnieren van de stofkap in geopende stand omhoog naar buiten te trekken.



# Overzicht van de bedieningstoetsen

## Bovenpaneel



### 1 POWER-schakelaar

Als je de schakelaar naar de positie [ON] draait, wordt het toestel ingeschakeld en licht de stroboscoopverlichting aan de zijkant op.

- ↻ *Inschakelen van de stroom* (blz.14)
- ↻ *Uitschakelen van de stroom* (blz.14)

### 2 START/STOP-toets

Als je op de knop drukt, gaat de draaitafel draaien of stopt hij.

- ↻ *Afspelen* (blz.14)

### 3 Knop voor snelheidswijziging

Hiermee wijzig je de snelheid voor de afgespeelde plaat.

- 33 1/3 toerenplaat: druk op de knop [33].
- 45 toerenplaat: druk op de knop [45].
- Voor een 78-toerenplaat druk je de knoppen [33] en [45] tegelijkertijd in.
- ↻ *Afspelen* (blz.14)

### 4 Naaldverlichting

Licht op en verlicht de naaldpunt.

- ↻ *De naaldpunt verlichten* (blz.15)

### 5 Schakelaar voor naaldverlichting

De naaldverlichting licht wit op en gaat omhoog naar de positie waarop de naaldpunt wordt verlicht.

- ↻ *De naaldpunt verlichten* (blz.15)

### 6 Kopshell

### 7 TEMPO schuifregelaar

Je kunt de schuifregelaar naar voren en naar achteren schuiven om de draaisnelheid nauwkeurig aan te passen.

- ↻ *De toonhoogte aanpassen* (blz.14)

### 8 Arm

- ↻ *Aanpassingen* (blz.10)

### 9 Armklem

Houdt de arm vast.

### 10 Armsteun

Ondersteunt de arm.

### 11 Lifthendel

Duw de hendel omhoog om de arm op te tillen, en omlaag om de arm neer te laten.

### 12 Armlift

Hiermee wordt de arm omhoog en omlaag bewogen. Je bedient hem met de lifthendel.

### 13 Instelknop ANTI SKATING

Als een plaat wordt afgespeeld, ontstaat op de naald een kracht die hem naar binnen trekt. Je kunt die kracht opheffen door met deze instelknop de juiste instelling te maken overeenkomstig de naalddruk.

- ↻ *Anti-skating aanpassen* (blz.11)

### 14 Vergrendelknop HEIGHT ADJUST

Vergrendelt de aangepaste hoogte van de arm.

- ↻ *De hoogte van de arm aanpassen* (blz.11)

### 15 Instelknop HEIGHT ADJUST

Wordt gebruikt om de hoogte van de arm aan te passen.

- ↻ *De hoogte van de arm aanpassen* (blz.11)

### 16 Contragewicht

Wordt gebruikt om de balans van de arm en de naalddruk aan te passen.

- ↻ *Aanpassingen* (blz.10)

### 17 Afstelling voor de naalddruk

Wordt gebruikt om de juiste naalddruk in te stellen voor het element.

- ↻ *De naalddruk aanpassen* (blz.10)

### 18 Standaard voor kopshell

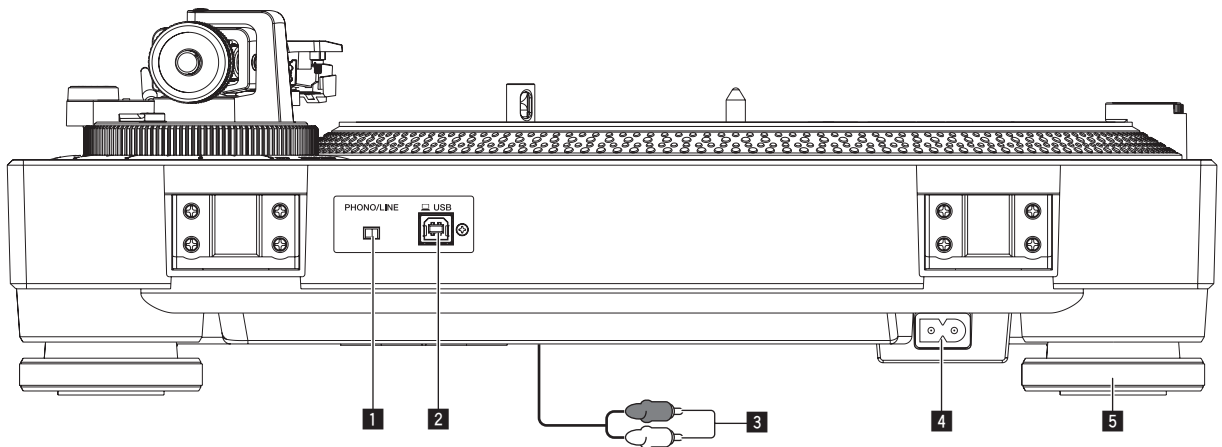
Wordt gebruikt als standaard voor de kopshell.

### 19 Adapter voor EP-platen

Wordt gebruikt om standaard EP-platen af te spelen.

- ↻ *Standaard EP-platen afspelen* (blz.14)

# Achterpaneel



## 1 PHONO/LINE-schakelaar

Omschakelen van het niveau van de geluidsuitvoer van het toestel.

- **[PHONO]**: Selecteer deze stand wanneer het toestel verbonden is met een apparaat met phononiveau-ingang, zoals een pre-hoofdversterker of component.
- **[LINE]**: Selecteer deze stand wanneer het toestel verbonden is met een apparaat met lijnniveau-ingang, zoals luidsprekers met voeding.



## WAARSCHUWING

Verbind het toestel niet met een apparaat met phononiveau-ingang wanneer de schakelaar **PHONO/LINE** in de stand **[LINE]** staat.

## 2 USB-aansluiting

Sluit hierop de USB-kabel (meegeleverd) aan.

- ➔ *Aansluiten van een computer* (blz.13)

## 3 Audiokabel

- ➔ *Aansluitingen* (blz.12)

## 4 AC IN

Aansluiten op een stopcontact met het bijgeleverde netsnoer. Wacht met aansluiten van het netsnoer totdat eerst alle aansluitingen tussen de apparatuur onderling compleet zijn gemaakt.

- Gebruik alleen het bijgeleverde netsnoer.

## 5 Schokdemper

Onderdrukt trillingen van buitenaf. Je kunt hem draaien om de hoogte van de draaitafel af te stellen.

- ➔ *De hoogte van het hoofdtoestel aanpassen* (blz.13)

# Aanpassingen

## De balans van de arm aanpassen

Omdat het gewicht van het element en de kopshell verschilt naargelang het product, moet de balans van de arm wellicht worden aangepast.

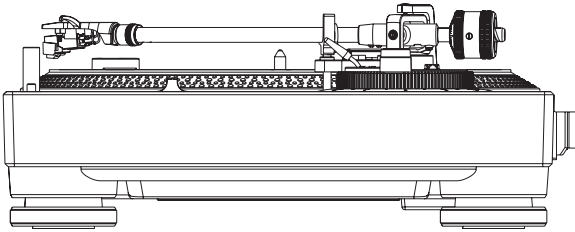
Doe het volgende als voorbereiding.

- Verwijder de naaldkap en de armklem. Let daarbij op dat je de naaldpunt niet aanraakt.
- Duw de lifthendel omlaag.
- Zet de instelknop [ANTI SKATING] op "0".

### Houd de arm van de armsteun en pas de balans zo aan dat hij horizontaal staat.

Draai aan het contragewicht tot de arm bijna horizontaal staat.

- Let goed op dat de naald niet de draaitafel e.d. raakt wanneer je de arm verplaatst.



## De naalddruk aanpassen

Om springen van de naald en geluidsvervorming te voorkomen, moet de naalddruk worden aangepast voor elk element.

Het meegeleverde element is geschikt voor een naalddruk tussen 3,0 g en 4,0 g.

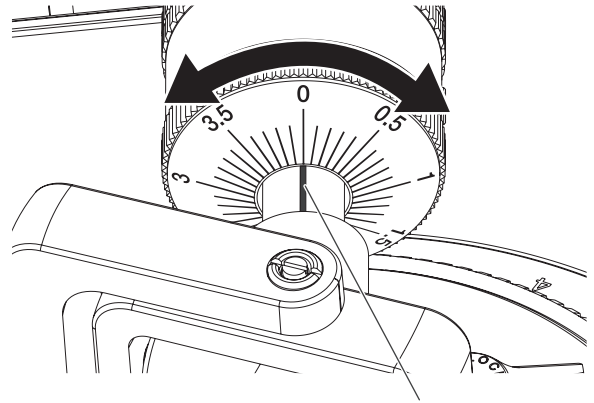
Doe het volgende als voorbereiding.

- Verplaats de arm terug naar de armsteun en zet hem vast met de armklem.

### 1 Breng de "0" op de afstelring voor de naalddruk naar de middenlijn op het achterstuk van de arm.

Houd met je vingers het contragewicht tegen zodat hij niet beweegt.

Draai ondertussen alleen de afstelring voor de naalddruk zodat het cijfer "0" op de zwarte middenlijn komt te staan op het achterstuk van de arm.

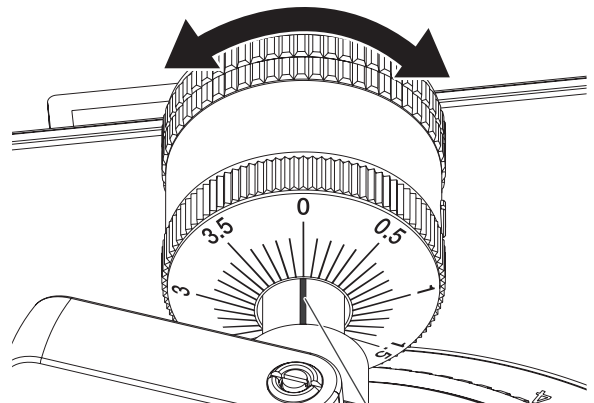


Middenlijn

### 2 Pas de naalddruk aan.

Draai het contragewicht om de juiste naalddruk in te stellen voor het gebruikte element.

- Als je contragewicht draait, draait de afstelring voor de naalddruk mee. Houd de afstelring in het oog en stel de juiste naalddruk in.



Middenlijn

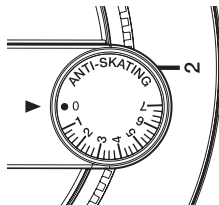


## Anti-skating aanpassen

Met deze aanpassing voorkom je dat de naald springt.

### Zet de meetschaal op dezelfde waarde als de naalddruk.

Draai de instelknop [ANTI SKATING] zo dat de referentielijn overeenkomt met dezelfde waarde als de naalddruk van het element.



## Afspelen met scratchen

Om springen van de naald te voorkomen moet je de schaalpositie aanpassen aan je afspeelacties.

## De hoogte van de armlift aanpassen

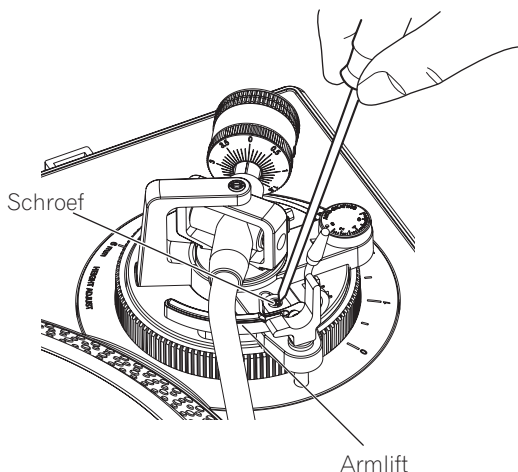
Als u een ander element dan het meegeleverde exemplaar gebruikt, moet u deze aanpassing uitvoeren voor het gebruikte element.

Doe het volgende als voorbereiding.

- Leg de plaat op de slipmat.
- Verwijder de naaldkap en de armklem. Let daarbij op dat je de naaldpunt niet aanraakt.
- Duw de lifthendel omhoog en beweeg de arm naar de plaat.

### Pas de hoogte aan door de schroef te draaien terwijl de armlift omlaag is geduwd.

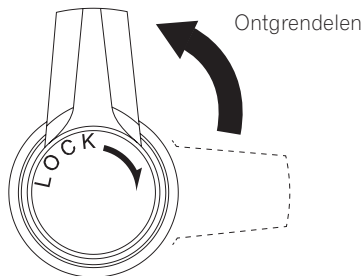
- Draai met de wijsers van de klok mee om de afstand tussen de plaat en de naald te verkleinen.
- Draai tegen de wijsers van de klok in om de afstand tussen de plaat en de naald te vergroten.
- De hoogte van de armlift (de afstand tussen de plaat en de naald wanneer je de lifthendel omhoog duwt) kan worden ingesteld tussen ongeveer 8 mm en 13 mm.



## De hoogte van de arm aanpassen

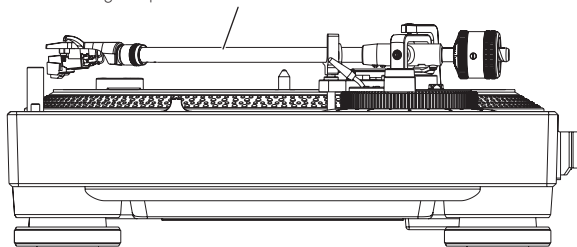
Als u het meegeleverde element gebruikt, is de positie "0" aangewezen. Als u een ander element dan het meegeleverde exemplaar gebruikt, moet u deze aanpassing uitvoeren voor het gebruikte element.

### 1 Draai de vergrendelknop [HEIGHT ADJUST] los om de vergrendeling op te heffen.

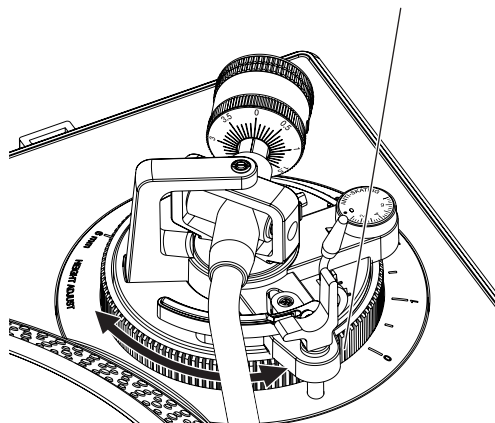


### 2 Duw de lifthendel omlaag en zet de naald op de plaat. Stel vervolgens de instelknop [HEIGHT ADJUST] zo af dat de arm evenwijdig staat met de plaat.

Zodanig aanpassen dat de arm horizontaal komt te staan.



Instelknop [HEIGHT ADJUST]



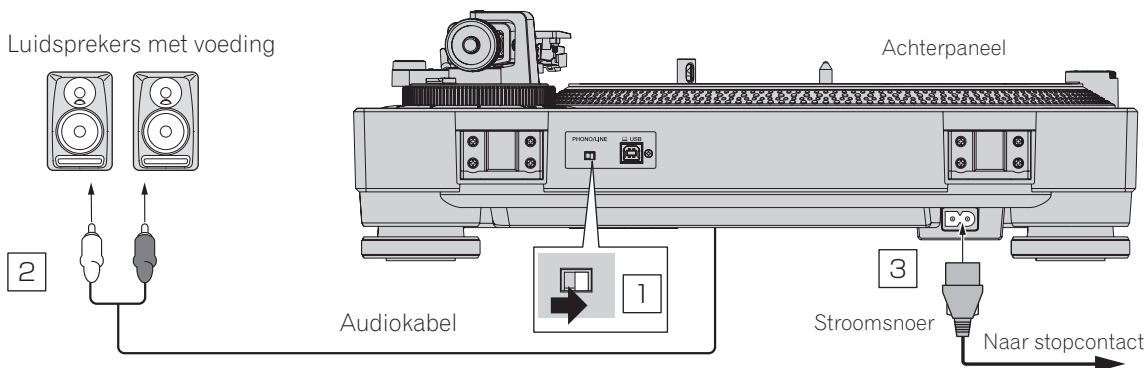
### 3 Draai de vergrendelknop [HEIGHT ADJUST] vast om de arm op de ingestelde hoogte te vergrendelen.

Na het aanpassen van de armhoogte moet je altijd de vergrendelknop [HEIGHT ADJUST] vastzetten om de arm te vergrendelen.

# Aansluitingen

- Schakel altijd eerst de stroom uit en trek de stekker uit het stopcontact alvorens u enige aansluiting maakt of verbreekt.
- Zie tevens de gebruiksaanwijzingen van de aan te sluiten apparatuur.
- Sluit het netnoer pas aan nadat alle aansluitingen tussen de apparatuur volledig zijn gemaakt.

## Aansluiting op luidsprekers met voeding



**1** Zet de schakelaar [PHONO/LINE] op [LINE].

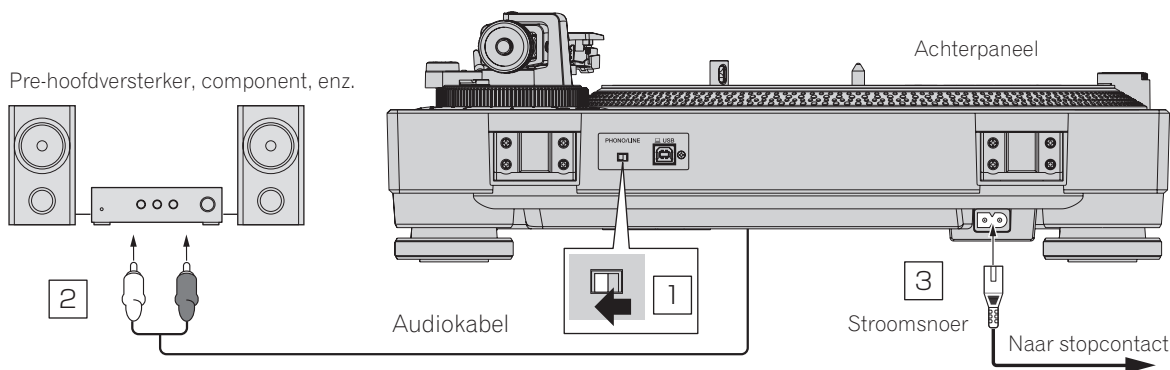
**2** Sluit de audiokabel aan op de ingang [LINE] van de luidsprekers met voeding, enz.

- Gebruik indien nodig de meegeleverde audio-adapterkabel.

**3** Sluit het netsnoer aan.

Aansluiten op een stopcontact met het bijgeleverde netsnoer. Wacht met aansluiten van het netsnoer totdat eerst alle aansluitingen tussen de apparatuur onderling compleet zijn gemaakt.

## Aansluiting op een pre-hoofdversterker en component



**1** Zet de schakelaar [PHONO/LINE] op [PHONO].

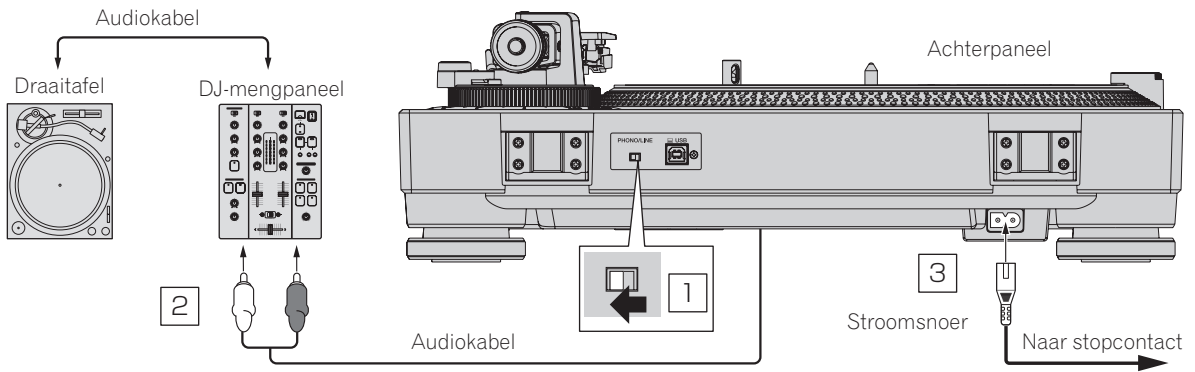
**2** Sluit de audiokabel aan op de ingang [PHONO] van de pre-hoofdversterker of andere component.

- Als dit product wordt aangesloten op een pre-hoofdversterker of component zonder een [PHONO]-aansluiting, kunnen niet voldoende volume en geluidskwaliteit worden verkregen. Zet in dat geval de schakelaar [PHONO/LINE] van dit toestel op [LINE], en sluit vervolgens dit toestel aan op de ingang [LINE] van de pre-hoofdversterker of component of gebruik een phono-equalizer.

**3** Sluit het netsnoer aan.

Aansluiten op een stopcontact met het bijgeleverde netsnoer. Wacht met aansluiten van het netsnoer totdat eerst alle aansluitingen tussen de apparatuur onderling compleet zijn gemaakt.

## Verbinding maken met een DJ-mengpaneel



**1 Zet de schakelaar [PHONO/LINE] op [PHONO].**

**2 Sluit de audiokabel aan op de ingang [PHONO] van het DJ-mengpaneel.**

- Als dit product wordt aangesloten op een DJ-mengpaneel zonder een [PHONO]-aansluiting, kunnen niet voldoende volume en geluidskwaliteit worden verkregen. Zet in dat geval de schakelaar [PHONO/LINE] van dit toestel op [LINE], en sluit vervolgens het toestel aan op de ingang [LINE] van het DJ-mengpaneel.

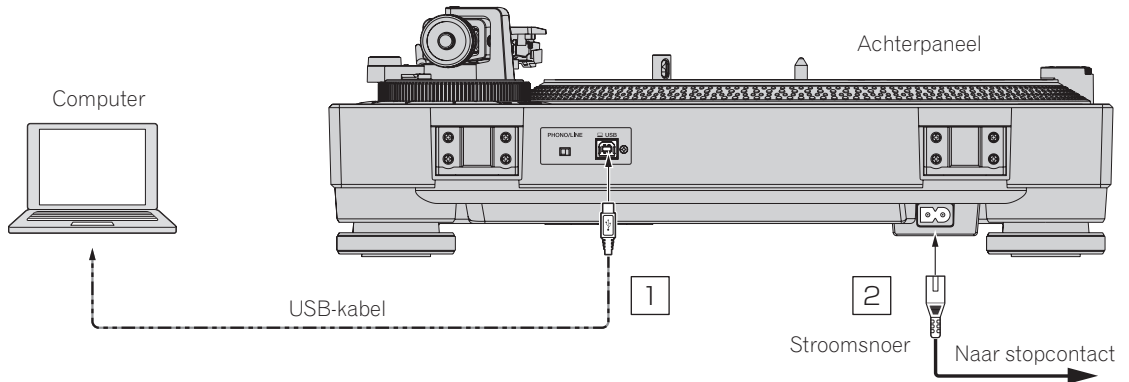
**3 Sluit het netsnoer aan.**

Aansluiten op een stopcontact met het bijgeleverde netsnoer. Wacht met aansluiten van het netsnoer totdat eerst alle aansluitingen tussen de apparatuur onderling compleet zijn gemaakt.

## Aansluiten van een computer

Dit toestel heeft geen USB-stuurprogramma nodig.

➔ *Opnemen* (blz.15)



**1 Sluit de USB-kabel aan op een USB-poort op de computer.**

**2 Sluit het netsnoer aan.**

Aansluiten op een stopcontact met het bijgeleverde netsnoer. Wacht met aansluiten van het netsnoer totdat eerst alle aansluitingen tussen de apparatuur onderling compleet zijn gemaakt.

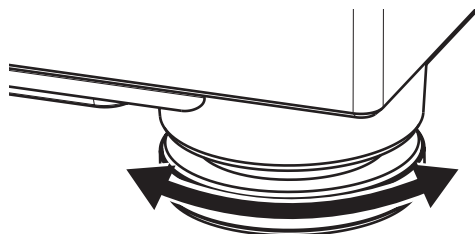
## Geschikte opstelling

Plaats het toestel op een vlak oppervlak zonder externe trillingen.

- Houd het toestel zo ver mogelijk uit de buurt van het luidsprekersysteem.
- Als het toestel erg dicht bij een radio (AM/FM) staat, kan de radio ruis veroorzaken. Maak de afstand tot het toestel zo groot mogelijk.

## De hoogte van het hoofdtoestel aanpassen

Pas de hoogte aan door de schokdemper zo ver te draaien dat het hoofdtoestel horizontaal staat.



# Bediening

## Inschakelen van de stroom

**1 Maak alle verbindingen en steek vervolgens de stekker in het stopcontact.**

➔ *Aansluitingen* (blz.12)

**2 Zet de schakelaar [POWER] in de positie [ON] om het toestel in te schakelen.**

De indicators van dit toestel lichten op en de stroom wordt ingeschakeld.

## Uitschakelen van de stroom

**Zet de schakelaar [POWER] in de positie [OFF] om het toestel uit te schakelen.**

De stroomvoorziening van dit toestel wordt uitgeschakeld.

## Afspelen

Doe het volgende als voorbereiding.

- Plaats een plaat op de draaitafel.
- Verwijder de naaldkap en de armklem.

**1 Zet de schakelaar [POWER] in de positie [ON] om het toestel in te schakelen.**

**2 Selecteer met een van de snelheidsknoppen de geschikte draaisnelheid voor de plaat.**

**3 Druk op de [START/STOP] knop.**

De draaitafel draait.

**4 Duw de lifthendel omhoog en beweeg de arm naar de plaat.**

**5 Duw de lifthendel omlaag.**

De arm beweegt langzaam omlaag en het afspelen begint.

## Het afspelen pauzeren

**Duw de lifthendel omhoog.**

De naald van het element wordt van de plaat getild.

- Duw de lifthendel omlaag om het afspelen te hervatten.

## Het afspelen beëindigen

**1 Duw de lifthendel omhoog, beweeg de arm naar de armsteun, en duw de lifthendel omlaag.**

**2 Druk op de [START/STOP] knop.**

De draaitafel komt zonder schokken tot stilstand.

**3 Zet de schakelaar [POWER] in de positie [OFF] om het toestel uit te schakelen.**

Zet de arm vast met de armklem.

Bevestig de naaldkap om de naaldpunt te beschermen.

Sluit de stofkap.

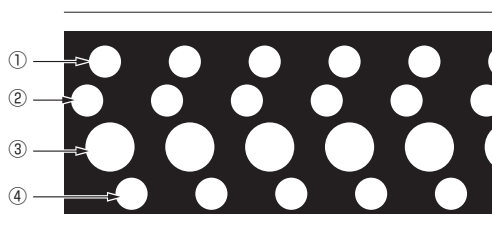
## De toonhoogte aanpassen

**Beweeg de [TEMPO] schuifregelaar naar voren of naar achteren.**

Als je de schuifregelaar naar voren schuift, wordt de draaisnelheid verhoogt. Als je hem naar achteren schuift, wordt de draaisnelheid verlaagd.

- Wanneer de schuifregelaar [TEMPO] in het midden staat, licht de indicator geel-groen op en wordt de gekozen draaisnelheid gebruikt (33 1/3 tpm, 45 tpm of 78 tpm).
- De schaal van de schuifregelaar [TEMPO] is een ruwe waarde. Gebruik deze als richtlijn.
- Je kunt controleren of de gespecificeerde draaisnelheid in tpm bereikt is door naar de vier rijen met stroboscoopatronen te kijken rond de draaitafel.

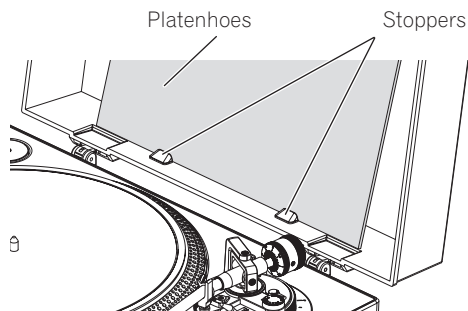
## Stroboscooppatroon



- ① Het stroboscooppatroon lijkt stil te staan: 33 1/3 tpm (50 Hz voeding)
  - ② Het stroboscooppatroon lijkt stil te staan: 45 tpm (50 Hz voeding)
  - ③ Het stroboscooppatroon lijkt stil te staan: 33 1/3 tpm (60 Hz voeding)
  - ④ Het stroboscooppatroon lijkt stil te staan: 45 tpm (60 Hz voeding)
- Het stroboscooppatroon van dit toestel wordt verlicht met stroboscoopverlichting (rode LED). Gebruik altijd de stroboscoopverlichting om de toonhoogte te controleren.

## Een platenhoes tonen

Zet de platenhoes achter de stoppers in de stofkap, zoals in de afbeelding wordt getoond.



- Plaats hier geen andere voorwerpen dan een platenhoes.
- Zet de platenhoes stevig achter de stoppers.
- Pas op dat de platenhoes niet omvalt als je deze functie tijdens het afspelen gebruikt. De plaat of de naald kan beschadigd worden.
- Pas op dat je de stofkap niet sluit terwijl de platenhoes er nog in staat.

## Standaard EP-platen afspelen

Plaats de adapter voor EP-platen op de middenas en druk op de knop [45].

## De naaldpunt verlichten

Als je op de schakelaar voor de naaldverlichting drukt, licht de naaldverlichting wit op en gaat hij omhoog naar de positie waarop de naaldpunt wordt verlicht.

- Als je hem niet nodig hebt, druk je op de schakelaar voor de naaldverlichting om hem te laten zakken. De schakelaar voor de naaldverlichting gaat uit.
- Kijk niet direct in het licht wanneer de naaldverlichting brandt.

## Opnemen

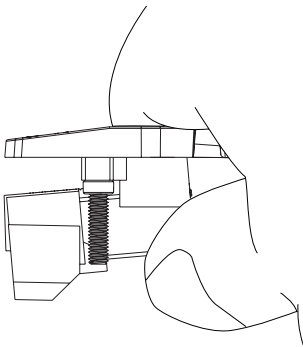
Analoge platen kunnen digitaal opgenomen worden door verbinding te maken met een computer waarop de software "rekordbox" voor muziekbeheer geïnstalleerd is.

Details vind je op de productwebsite van rekordbox hieronder en in de bedieningshandleiding voor rekordbox onder **[Support]**.  
<https://rekordbox.com/en/store/>

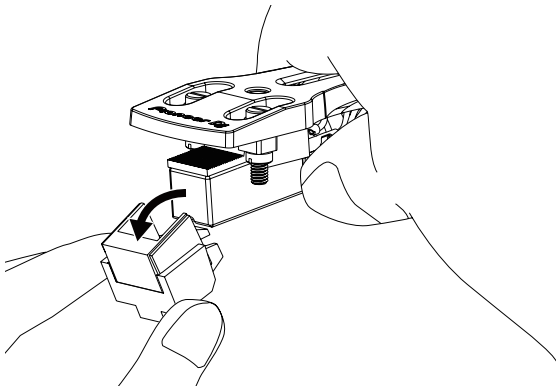
## De naald vervangen

Vergewis je ervan dat het systeem is uitgeschakeld voordat je de volgende procedure uitvoert.

### 1 Houd het element met één hand vast.



### 2 Verwijder het element in de richting van de pijl terwijl je het naaldhoudergedeelte met je andere hand vasthoudt.



## Het element vervangen

Dit toestel is niet compatibel met MC-elementen. Gebruik een VM-element of een MM-element.

## Het element verwijderen

### 1 Verwijder de schroeven, moeren en sluitringen van de kopshell.

### 2 Ontkoppel de draden van het element.

## Het element bevestigen

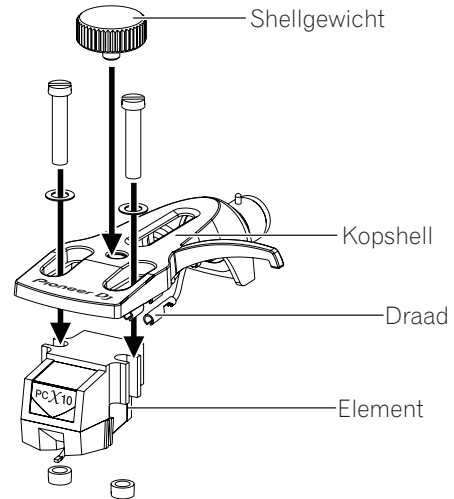
### 1 Sluit het element aan; let er daarbij op dat de kleuren van de draden van de kopshell en de symbolen bij de aansluitingen op het element overeenstemmen.

De kleuren van de draden van de kopshell en de symbolen op de elementaansluitingen dienen als volgt overeen te komen.

Vanaf de voorkant gezien: linksboven is L+: wit, linksonder is L-: blauw, rechtsboven is R+: rood, en rechtsonder is R-: groen.

- Sluit de draden stevig aan met een tang of dergelijke.

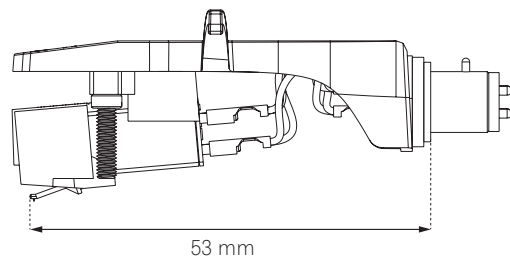
### 2 Bevestig het element op de kopshell met de schroeven, moeren en sluitringen die bij het element geleverd werden.



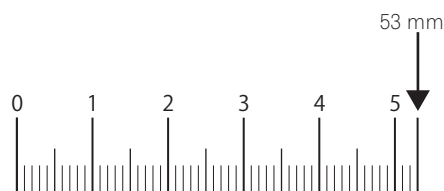
- Bevestig het element deugdelijk op de kopshell.
- Als het element 5 g of minder weegt, moet je het meegeleverde shellgewicht gebruiken.

## De overhang aanpassen

Pas de overhangpositie aan met de bevestigingsschroef voor het element. Gebruik daarbij de volgende meetschaal. De naaldpunt moet uitkomen op een positie 53 mm van het bevestigingsdeel van de arm.



### Meetschaal voor aanpassing van de overhang



# Aanvullende informatie

## Verhelpen van storingen

- Verkeerde bediening kan vaak de oorzaak zijn van een schijnbare storing of foutieve werking. Als u denkt dat er iets mis is met deze apparatuur, moet u de punten hieronder controleren en de [FAQ] voor de [PLX-500] op de Pioneer DJ-ondersteuningsite. <http://pioneerdj.com/support/>  
Soms wordt het probleem door een andere component veroorzaakt. Inspecteer de andere componenten en elektrische apparaten die gebruikt worden. Als u het probleem niet kunt verhelpen, vraag dan uw dichtstbijzijnde servicecentrum of uw vakhandelaar om het apparaat te laten repareren.
- Dit apparaat kan soms niet goed werken vanwege statische elektriciteit of andere externe invloeden. In dat geval kunt u de juiste werking herstellen door de stroom uit te schakelen, 1 minuut te wachten en dan de stroom weer in te schakelen.

Probleem	Controle	Oplossing
De stroom wordt niet ingeschakeld.	Is het netsnoer naar behoren aangesloten? Staat de schakelaar [POWER] voor de stroomvoorziening op [ON]?	Sluit het meegeleverde stroomsnoer op de juiste manier aan op een stopcontact. Zet de schakelaar [POWER] voor de stroomvoorziening op [ON].
Er klinkt niet of nauwelijks geluid.	Zijn de audiosnoeren goed aangesloten? Zijn de aansluitbussen en de stekkers vuil?	Zorg dat de audiokabels juist zijn aangesloten. Maak de aansluitbussen en de stekkers schoon voordat u aansluitingen gaat maken.
Het geluid links en rechts wordt omgekeerd.	Is de kopshell correct bevestigd?	Bevestig de kopshell correct.
Er klinkt een laag zoemend (of brommend) geluid tijdens het afspelen.	Zijn de aansluitingen voor links en rechts op elk onderdeel van de apparatuur correct? Staat of ligt er in de buurt van de voedingskabel een ander elektrisch apparaat zoals een tl-buis of een draad ervan?	Sluit de audiokabel en de draden van de kopshell correct aan. Plaats de voedingskabel van de tl-buis of het andere apparaat zo ver mogelijk uit de buurt.
De naaldpunt komt niet omlaag op de plaat.	Is de naalddruk correct ingesteld? Is de arm horizontaal in evenwicht?	Stel het contragewicht af voor de juiste naalddruk voor het gebruikte element. Draai aan het contragewicht tot de arm horizontaal staat.
De naald springt.	Is de naaldruk correct ingesteld? Is de plaat krom of heeft hij krassen? Zit er veel stof aan de naaldpunt? Is anti-skating correct ingesteld? Is de armhogte correct ingesteld?	Stel het contragewicht af voor de juiste naaldruk voor het gebruikte element. Controleer de staat van de plaat. Verwijder de shell met het element, en verwijder stof e.d. van de naaldpunt met een penseeltje met een zachte punt. Stel anti-skating correct in. Stel de armhogte correct in.
De arm stopt halverwege en gaat niet verder.	Heeft de plaat krassen? Raakt de arm iets?	Controleer de staat van de plaat. Controleer de ruimte rond de arm. Verwijder eventuele obstakels.
Het geluid is zacht of hard (vervormd).	Is de aansluiting met de versterker correct voor het type element (uitgang)? Is de schakelaar [PHONO/LINE] correct ingesteld?	Zorg dat de aansluitsnoeren juist zijn aangesloten. Zet de schakelaar [PHONO/LINE] in de juiste stand naargelang de ingangsaansluiting van het aangesloten apparaat.
De draaitafel trilt erg wanneer hij draait.	Er zit vuil enz. bij de bevestigingen van de draaitafel en de middenas.	Verwijder het vuil.

## Voorzorgen bij het gebruik

### Over condensvocht

Er kunnen waterdruppeltjes uit de lucht in het apparaat (vooral op mechanische onderdelen en lenzen) condenseren; bijvoorbeeld 's winters, als het apparaat vanuit een koude omgeving wordt meegenomen naar een warme ruimte, of als de ruimte waarin het apparaat staat plotseling wordt verwarmd. Als er condensatie in het apparaat is opgetreden, zal het niet goed werken en kunt u het even niet gebruiken. Laat het apparaat gewoon uitgeschakeld ongeveer 1 tot 2 uur lang op kamertemperatuur staan (hoe lang het duurt hangt af van de hoeveelheid condensatie). Het condensvocht zal verdampen en dan kunt u het apparaat weer normaal gebruiken. Condensatie kan zich ook 's zomers voordoen als het apparaat in de directe luchtstroom van een airconditioner e.d. staat. In dat geval kunt u het apparaat beter op een andere plaats zetten.

### Transport van het toestel naar een andere locatie

Gebruik het oorspronkelijke verpakkingsmateriaal om het toestel in te pakken.

Als het oorspronkelijke verpakkingsmateriaal niet meer aanwezig is, let dan zeker op de volgende punten.

- Verwijder de slipmat en de draaitafel voor het inpakken.
- Verwijder de kopshell en het contragewicht van de arm en pak ze voorzichtig in.
- Zet de arm vast met de armklem, en zet hem met tape vast zodat hij niet kan bewegen.
- Wikkel het hoofdtoestel in een deken of zacht papier zodat hij niet kan worden beschadigd.
- Neem het toestel zo vast dat er geen kracht wordt uitgeoefend op de arm.

## Onderhoud van de onderdelen

Zet de stroom van de versterker uit wanneer je de kopshell bevestigt en verwijderd.

Als je dit doet terwijl het volume hoog staat, kan de luidspreker beschadigd worden.

- Verwijder de shell met het element, en verwijder stof e.d. van de naaldpunt met een penseeltje met een zachte punt.
- Reinig platen met platenreiniger van een goede kwaliteit.
- Reinig de aansluiting van de kopshell met een zachte doek of gelijkwaardig materiaal en bevestig hem terug aan de arm.

---

## De stofhoes e.d. reinigen

Reinig de stofhoes en de kast met een zachte doek

- Reinig de stofhoes niet tijdens het afspelen. De arm kan door de stofhoes worden aangetrokken door statische elektriciteit.

---

---

## Over handelsmerken en gedeponeerde handelsmerken

- "Pioneer DJ" is een handelsmerk van PIONEER CORPORATION en wordt in licentie gebruikt.
- rekordbox is een handelsmerk of geregistreerd handelsmerk van de Pioneer DJ Corporation.

De hierin vermelde namen van bedrijven en hun producten zijn de handelsmerken of geregistreerde handelsmerken van hun respectieve eigenaars.

---

---

## Specificaties

Voeding ..... 110 V tot 120 V of 220 V tot 240 V wisselstroom, 50 Hz/60 Hz  
Stroomverbruik ..... 11 W  
Gewicht hoofdapparaat ..... 10,7 kg  
Buitenafmetingen ..... 450 mm (B) × 158,5 mm (H) × 367,5 mm (D)  
Toegestane bedrijfstemperatuur ..... +5 °C tot +35 °C  
Toegestane luchtvochtigheid ..... 5 % tot 85 % (zonder condensatie)

### Draaitafel

Aandrijving ..... Directe servoaandrijving  
Motor ..... Borstelloze DC-motor met 3 fasen  
Remsysteem ..... Elektronische rem  
Draaisnelheid ..... 33 1/3 tpm, 45 tpm, 78 tpm  
Instelbereik draaisnelheid ..... ±8 %  
Wow en flutter ..... 0,15 % of minder WRMS  
S/R-verhouding ..... 50 dB of meer  
Draaitafel ..... Aluminium gegoten Diameter: 332 mm  
Startkoppel ..... 1,6 kg·cm of meer  
Starttijd ..... 1 seconden of minder (bij 33 1/3 tpm)

### Arm

Type arm ..... Universele S-vormige arm,  
cardanische lagering, statische balans  
Effectieve lengte ..... 230,5 mm  
Overhang ..... 16 mm  
Volgfout ..... Minder dan 3°  
Instelbereik armhoogte ..... 6 mm  
Variabel bereik naalddruk ..... 0 g tot 4,0 g (1 schaal 0,1 g)  
Aangewezen elementgewicht ..... 9,5 g of minder (enkel element)  
Type element ..... VM

### Uitgangsspanning

PHONO ..... 2,5 mV/1 kHz  
LINE ..... 150 mV/1 kHz

- De technische gegevens en het ontwerp van dit product kunnen vanwege voortgaande verbetering zonder voorafgaande kennisgeving worden gewijzigd.

- © 2016 Pioneer DJ Corporation. Alle rechten voorbehouden.



Si desea deshacerse de este producto, no lo mezcle con los residuos generales de su hogar. De conformidad con la legislación vigente, existe un sistema de recogida distinto para los productos electrónicos que requieren un procedimiento adecuado de tratamiento, recuperación y reciclado.

Las viviendas privadas en los estados miembros de la UE, en Suiza y Noruega pueden devolver gratuitamente sus productos electrónicos usados en las instalaciones de recolección previstas o bien en las instalaciones de minoristas (si adquieren un producto similar nuevo).

En el caso de los países que no se han mencionado en el párrafo anterior, póngase en contacto con sus autoridades locales a fin de conocer el método de eliminación correcto.

Al actuar siguiendo estas instrucciones, se asegurará de que el producto de desecho se somete a los procesos de tratamiento, recuperación y reciclaje necesarios, con lo que se previenen los efectos negativos potenciales para el entorno y la salud humana.

K058b\_A1\_Es

## PRECAUCIÓN

PARA PREVENIR EL PELIGRO DE CHOQUE ELÉCTRICO NO REMOVER LA TAPA NI LAS PARTES DENTRO NO UTILIZADAS, LLAMAR UNA PERSONA CUALIFICADA.

D3-4-2-1-1\_B2\_Es

## ADVERTENCIA

Este aparato no es impermeable. Para evitar el riesgo de incendio y de descargas eléctricas, no ponga ningún recipiente lleno de líquido (como pueda ser un vaso o un florero) cerca del aparato ni lo exponga a goteo, salpicaduras, lluvia o humedad.

D3-4-2-1-3\_A1\_Es

## ADVERTENCIA

Para evitar el peligro de incendio, no ponga nada con fuego encendido (como pueda ser una vela) encima del aparato.

D3-4-2-1-7a\_A1\_Es

## Entorno de funcionamiento

Temperatura y humedad del entorno de funcionamiento +5 °C a +35 °C; menos del 85 % de humedad relativa (rejillas de refrigeración no obstruidas)

No instale este aparato en un lugar mal ventilado, ni en lugares expuestos a alta humedad o a la luz directa del sol (o de otra luz artificial potente).

D3-4-2-1-7c\*\_A1\_Es

## PRECAUCIÓN PARA LA VENTILACIÓN

Cuando instale este aparato, asegúrese de dejar espacio en torno al mismo para la ventilación con el fin de mejorar la disipación de calor (por lo menos 15 cm encima, 5 cm detrás, y 5 cm en cada lado).

## ADVERTENCIA

Las ranuras y aberturas de la caja del aparato sirven para su ventilación para poder asegurar un funcionamiento fiable del aparato y para protegerlo contra sobrecalentamiento. Para evitar el peligro de incendio, las aberturas nunca deberán taparse ni cubrirse con nada (como por ejemplo, periódicos, manteles, cortinas) ni ponerse en funcionamiento el aparato sobre una alfombra gruesas o una cama.

D3-4-2-1-7b\*\_A1\_Es

Este producto es para tareas domésticas generales. Cualquiera avería debida a otra utilización que tareas domésticas (tales como el uso a largo plazo para motivos de negocios en un restaurante o el uso en un coche o un barco) y que necesita una reparación hará que cobrarla incluso durante el período de garantía.

K041\_A1\_Es

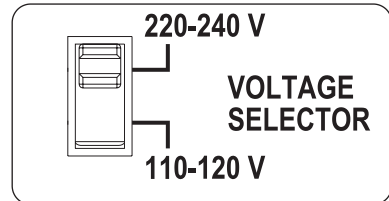
## Selector de tensión

El selector de tensión está situado en panel superior de los modelos de tensiones múltiples.

**El ajuste predeterminado del selector de tensión es de 220-240 V. Ajústelo a la tensión correcta de su país o región.**

Para México, ajuste el voltaje en 110-120 V antes de utilizar este producto.

Antes de cambiar la tensión, desenchufe el cable de alimentación de CA. Para cambiar el ajuste del selector de tensión, emplee un destornillador de tamaño medio.



D3-4-2-1-5\*\_A2\_Es



## PRECAUCIONES CONCERNIENTES A LA MANIPULACIÓN DEL CABLE DE ALIMENTACIÓN

Tome el cable de alimentación por la clavija. No extraiga la clavija tirando del cable. Nunca toque el cable de alimentación cuando sus manos estén mojadas, ya que esto podría causar cortocircuitos o descargas eléctricas. No coloque la unidad, algún mueble, etc., sobre el cable de alimentación.

Asegúrese de no hacer nudos en el cable ni de unirlo a otros cables. Los cables de alimentación deberán ser dispuestos de tal forma que la probabilidad de que sean pisados sea mínima. Una cable de alimentación dañado podrá causar incendios o descargas eléctricas. Revise el cable de alimentación está dañado, solicite el reemplazo del mismo al centro de servicio más cercano, o a su distribuidor.

S002\*\_A1\_Es

### PRECAUCIÓN

El interruptor de la alimentación **POWER** de este aparato no corta por completo toda la alimentación de la toma de corriente de CA. Puesto que el cable de alimentación hace las funciones de dispositivo de desconexión de la corriente para el aparato, para desconectar toda la alimentación del aparato deberá desenchufar el cable de la toma de corriente de CA. Por lo tanto, asegúrese de instalar el aparato de modo que el cable de alimentación pueda desenchufarse con facilidad de la toma de corriente de CA en caso de un accidente. Para evitar correr el peligro de incendio, el cable de alimentación también deberá desenchufarse de la toma de corriente de CA cuando no se tenga la intención de utilizarlo durante mucho tiempo seguido (por ejemplo, antes de irse de vacaciones).

D3-4-2-2a\*\_A1\_Es

---

---

# Contenido

## Cómo leer este manual

- Gracias por adquirir este producto Pioneer DJ. Asegúrese de leer este folleto, el cual incluye información importante que usted deberá entender antes de usar este producto. Después de haber terminado de leer estas instrucciones, guárdelas en un lugar seguro para, en caso de ser necesario, consultarlas en el futuro.
- En este folleto, los nombres de los botones y los terminales de la unidad principal aparecen entre corchetes ([ ]).  
Ejemplos:  
Pulse el botón [START/STOP].

## 01 Antes de empezar a usar la unidad

Características.....	5
Contenido de la caja.....	5

## 02 Antes de comenzar

Instalación rekordbox (Mac/Windows).....	6
Montaje.....	6

## 03 Nombres y funciones de los controles

Panel superior.....	8
Panel trasero.....	9

## 04 Ajuste

Ajuste del equilibrio del brazo fonocaptor.....	10
Ajuste de la presión de la aguja.....	10
Ajuste de anti-skating.....	11
Ajuste de la altura del elevador del brazo.....	11
Ajuste de la altura del brazo.....	11

## 05 Conexiones

Conexión con altavoces amplificados.....	12
Conexión a un preamplificador y a un componente.....	12
Conexión a un mezclador DJ.....	13
Conexión con un ordenador.....	13
Lugar de instalación.....	13
Ajuste de la altura de la unidad principal.....	13

## 06 Operación

Conexión de la alimentación.....	14
Desconexión de la alimentación.....	14
Reproducción.....	14
Pausa de la reproducción.....	14
Final de la reproducción.....	14
Ajuste del tono.....	14
Visualización de una portada de disco.....	14
Para reproducir un disco EP estándar.....	15
Iluminación de la punta de la aguja.....	15
Grabación.....	15
Sustitución de la aguja.....	15
Cambio del cartucho.....	15

## 07 Información adicional

Solución de problemas.....	16
Cuidados para el uso.....	16
Mantenimiento de cada parte.....	16
Acerca de las marcas de fábrica y marcas registradas.....	17
Especificaciones.....	17

---

---

# Antes de empezar a usar la unidad

---

---

## Características

Esta unidad es un giradiscos con accionamiento directo y un par de giro elevado que se puede usar en una gran variedad de aplicaciones que van desde escuchar música en casa hasta actuaciones de DJ.

---

## Sonido de grabación analógica de alta calidad

La ruta desde la punta de la aguja hasta la salida **PHONO/LINE** se ha acortado lo máximo posible para reproducir de forma fiel la calidad de sonido original de los discos analógicos.

Asimismo, como no solo se admite la salida **PHONO** sino también la salida **LINE**, puede disfrutar fácilmente del sonido de grabación analógica de alta calidad simplemente conectando directamente con altavoces amplificadas.

---

## Fácil grabación digital

Se proporciona un terminal **USB-B** para que pueda conectar directamente esta unidad y un PC o un Mac y después grabar fuentes de sonido de grabación analógica en el PC o Mac convirtiéndolas a datos. Se puede realizar la grabación digital con una sencilla operación utilizando la función de grabación de la aplicación gratuita de gestión de música "rekordbox" (Ver.4.2.1 o posterior) durante la grabación.

---

## Giradiscos con accionamiento directo que permite actuaciones de DJ

La adopción de un sistema de accionamiento directo con un alto par permite realizar la mezcla de pistas, scratching y otras actuaciones de DJ combinando dos de estas unidades con un mezclador de DJ.

---

## Cubierta guardapolvo que puede servir como soporte para una portada de disco

Se puede mostrar una portada de disco en la cubierta guardapolvo mientras está abierta. Esto permite disfrutar del sonido de grabación analógica mientras se mira la portada del disco.

## Contenido de la caja

- Giradiscos
- Slip mat
- Cubierta guardapolvo
- Adaptador para discos EP
- Contrapeso
- Portacápsula (cartucho incluido)
- Peso para la cápsula
- Cable de alimentación
- Cable USB
- Cable adaptador de audio (clavija estéreo (hembra) a mini-clavija estéreo (macho))
- Garantía (para algunas regiones)<sup>[1]</sup>
- Manual de Instrucciones (este manual)

[1] La garantía incluida es para la región europea.

### ADVERTENCIA

Guarde las piezas pequeñas fuera del alcance de los niños. Si las ingirieran accidentalmente, póngase de inmediato en contacto con un médico.

D41-6-4\_A1\_Es

# Antes de comenzar

## Instalación rekordbox (Mac/Windows)

### 1 Acceda a rekordbox.com.

<https://rekordbox.com/es/store/>

- El contenido de la página está sujeto a cambios sin previo aviso.

### 2 Consulte la Guía de inicio y haga clic en [Descarga Gratis].



### 3 Lea detenidamente el Acuerdo de licencia de usuario final del software y active la casilla de verificación [Acepto] si está de acuerdo.

Cuando active la casilla de verificación, se podrá hacer clic en [Descarga].

### 4 Haga clic en [Descarga].

Se iniciará la descarga de rekordbox (Mac/Windows).

### 5 Haga doble clic en el archivo descargado para descomprimirlo.

### 6 Haga doble clic en el archivo descomprimido para ejecutar el instalador.

### 7 Lea atentamente el Acuerdo de licencia de usuario final del software y continúe con la instalación según las instrucciones de la pantalla si está de acuerdo.

- Si no acepta el contenido del Acuerdo de licencia de usuario final del software, cancele la instalación.

### 8 Cuando aparece la pantalla de finalización de la instalación, siga las instrucciones de la pantalla para cerrar el instalador.

La instalación se ha completado ahora.

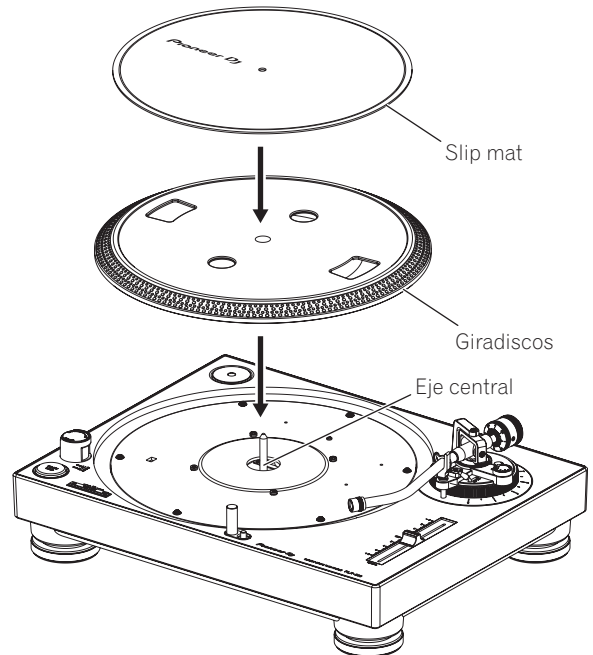
- Para utilizar rekordbox dj, rekordbox dvs y rekordbox video, es necesaria la activación (autenticación de licencia). Para obtener detalles, consulte el Manual de instrucciones de rekordbox.  
<https://rekordbox.com/es/support/manual.php>

## Montaje

### 1 Monte el giradiscos y la slip mat.

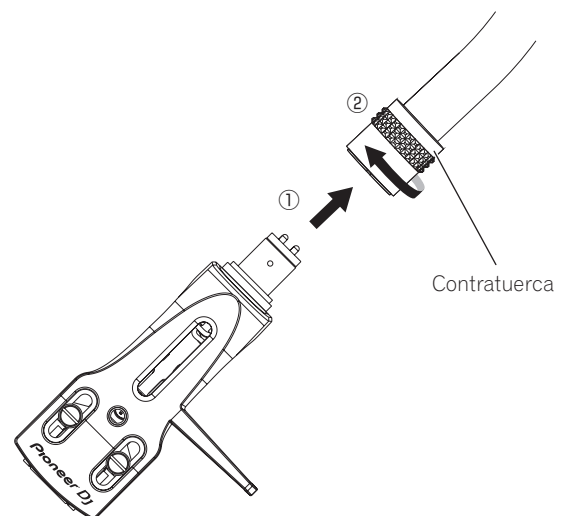
Coloque el giradiscos en el husillo central y coloque la slip mat encima del giradiscos.

- Tenga cuidado de no golpear el giradiscos contra la unidad principal ni dejarlo caer.

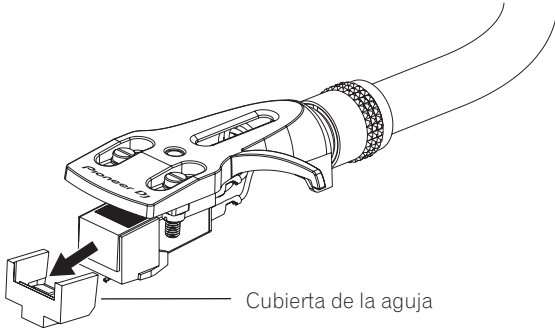


### 2 Monte el portacápsula.

Inserte el portacápsula con el cartucho montado en el brazo fonocaptor. A continuación, apriete la contratuerca mientras mantiene el portacápsula horizontal.

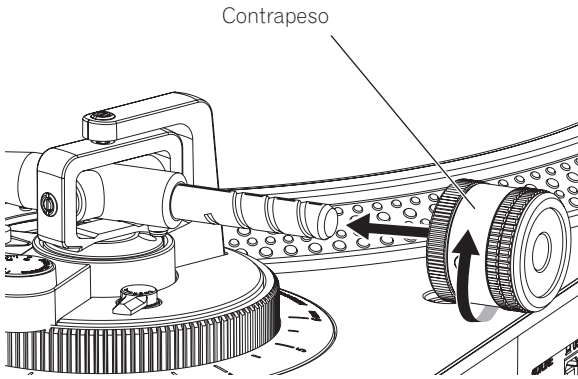


- Antes del uso, retire la cubierta de la aguja sin tocar la punta de la aguja.



### 3 Monte el contrapeso.

Fije el contrapeso al eje trasero del brazo fonocaptor.

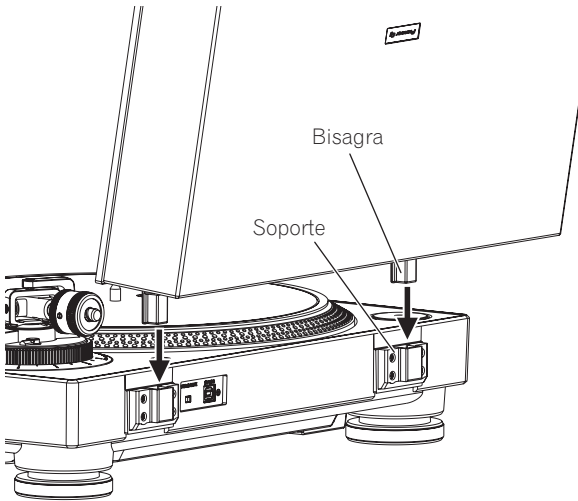


---

### Coloque la cubierta guardapolvo.

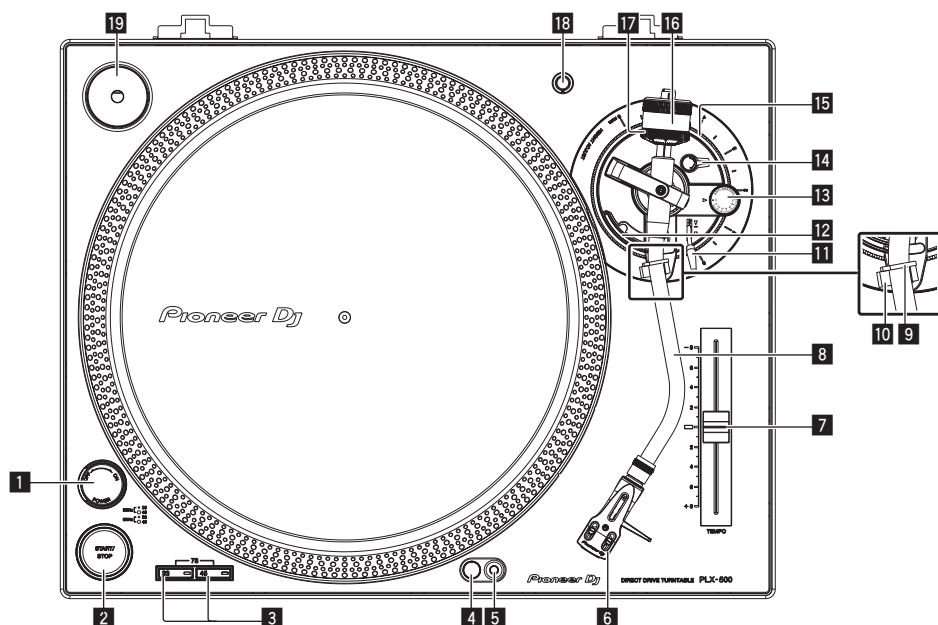
**Inserte las bisagras de la cubierta guardapolvo en los soportes del panel trasero de esta unidad.**

Cuando retire la cubierta guardapolvo, tire de las bisagras hacia arriba con la cubierta guardapolvo abierta.



# Nombres y funciones de los controles

## Panel superior



### 1 Conmutador POWER

Si se gira el conmutador hacia el lado [ON], se conecta la alimentación y se ilumina la iluminación estroboscópica de al lado.

- ↻ *Conexión de la alimentación* (pág.14)
- ↻ *Desconexión de la alimentación* (pág.14)

### 2 Botón START/STOP

Al pulsar el botón se inicia o se detiene la rotación del giradiscos.

- ↻ *Reproducción* (pág.14)

### 3 Botón de cambio de velocidad

Cambia la velocidad de acuerdo con el disco que se vaya a reproducir.

- Para un disco de 33 1/3 rpm, pulse el botón [33].
  - Para un disco de 45 rpm, pulse el botón [45].
  - Para un disco de 78 rpm, pulse el botón [33] y el botón [45] simultáneamente.
- ↻ *Reproducción* (pág.14)

### 4 Iluminación de la aguja

Se enciende para iluminar la punta de la aguja.

- ↻ *Iluminación de la punta de la aguja* (pág.15)

### 5 Conmutador para la iluminación de la aguja

La iluminación de la aguja se enciende en luz blanca y asciende hasta la posición en la que la punta de la aguja se ilumina.

- ↻ *Iluminación de la punta de la aguja* (pág.15)

### 6 Portacápsula

### 7 Barra deslizante TEMPO

Puede deslizar la barra hacia adelante o atrás para realizar un ajuste fino de la velocidad de rotación.

- ↻ *Ajuste del tono* (pág.14)

### 8 Brazo fonocaptor

- ↻ *Ajuste* (pág.10)

### 9 Agarre del brazo

Sirve para agarrar el brazo fonocaptor.

### 10 Apoyo del brazo

Sirve como base de soporte para el brazo fonocaptor.

### 11 Palanca elevadora

El brazo fonocaptor asciende cuando se tira hacia arriba de la palanca. El brazo fonocaptor desciende cuando se aprieta la palanca hacia abajo.

### 12 Elevador del brazo

Este dispositivo se utiliza para mover el brazo fonocaptor hacia arriba y abajo. Se maneja mediante la palanca elevadora.

### 13 Dial ANTI SKATING

Cuando se reproduce un disco, hay una fuerza que tira de la punta de la aguja hacia el perímetro interior. Al hacer coincidir este dial con el valor de presión de la aguja, se elimina esta fuerza.

- ↻ *Ajuste de anti-skating* (pág.11)

### 14 Bloqueo HEIGHT ADJUST

Bloquea la altura ajustada del brazo.

- ↻ *Ajuste de la altura del brazo* (pág.11)

### 15 Dial HEIGHT ADJUST

Se utiliza para ajustar la altura del brazo fonocaptor.

- ↻ *Ajuste de la altura del brazo* (pág.11)

### 16 Contrapeso

Se utiliza para equilibrar el brazo fonocaptor y ajustar la presión de la aguja.

- ↻ *Ajuste* (pág.10)

### 17 Anillo de ajuste de presión de la aguja

Se utiliza para hacer coincidir con la presión adecuada de aguja del cartucho.

- ↻ *Ajuste de la presión de la aguja* (pág.10)

### 18 Soporte del portacápsula

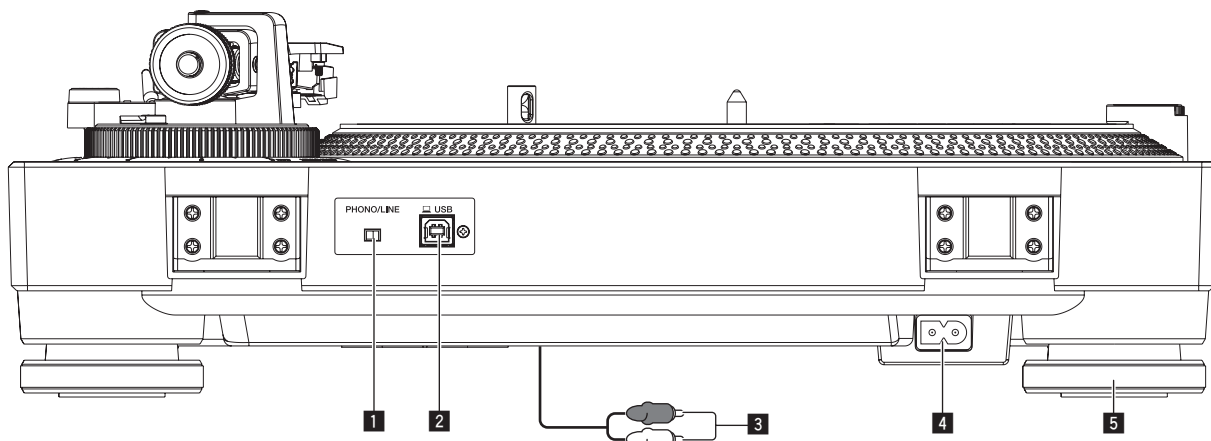
Se utiliza para levantar el portacápsula.

### 19 Adaptador para discos EP

Se utiliza para reproducir discos EP estándar.

- ↻ *Para reproducir un disco EP estándar* (pág.15)

## Panel trasero



### 1 Conmutador PHONO/LINE

Cambia el nivel de la salida de sonido de la unidad.

- **[PHONO]**: Seleccione esta opción cuando esta unidad se conecte con un dispositivo compatible con la entrada de nivel fonográfico, como un preamplificador principal o un componente.
- **[LINE]**: Seleccione esta opción cuando esta unidad se conecte con un dispositivo compatible con la entrada de nivel de línea, como altavoces amplificados.

### AVISO

No conecte la unidad con un dispositivo que admite la entrada de nivel fonográfico mientras el interruptor **PHONO/LINE** está en el estado **[LINE]**.

### 2 Terminal USB

Conecte el cable USB (incluido) aquí.

- ➔ *Conexión con un ordenador (pág.13)*

### 3 Cable de audio

- ➔ *Conexiones (pág.12)*

### 4 AC IN

Conecta a una toma de corriente con el cable de alimentación incluido. Espere hasta que todas las conexiones entre el equipo estén terminadas antes de conectar el cable de alimentación.

- Asegúrese de usar el cable de alimentación incluido.

### 5 Aislador

Suprime los efectos de la vibración externa. Al girar el aislador se ajusta la altura del giradiscos.

- ➔ *Ajuste de la altura de la unidad principal (pág.13)*

# Ajuste

## Ajuste del equilibrio del brazo fonocaptor

Debido a que los pesos del portacápsula y del cartucho son diferentes en función del producto, se puede ajustar el equilibrio del brazo fonocaptor.

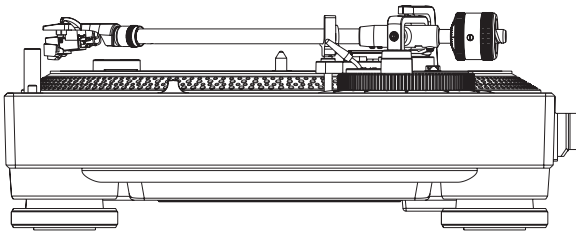
Realice la preparación del siguiente modo.

- Retire la cubierta de la aguja y el agarre del brazo teniendo cuidado de no tocar la punta de la aguja.
- Apriete hacia abajo la palanca elevadora.
- Ajuste el dial [ANTI SKATING] a "0".

### Mantenga el brazo fonocaptor lejos del apoyo del brazo y ajuste el equilibrio de modo que esté horizontal.

Gire el contrapeso hasta que el brazo esté casi en horizontal.

- Al mover el brazo fonocaptor, asegúrese de que la punta de la aguja no toca directamente el giradiscos y similares.



## Ajuste de la presión de la aguja

Para evitar que la aguja salte o se distorsione el sonido, se ajusta la presión de la aguja al valor apropiado de la presión de aguja determinado para cada cartucho.

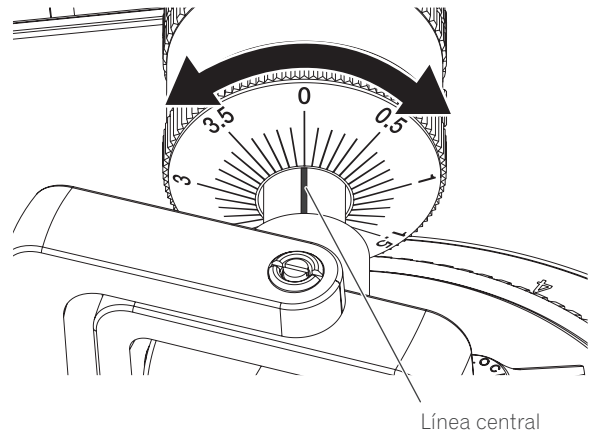
El valor de presión adecuado de la aguja para el cartucho incluido es de entre 3,0 g y 4,0 g.

Realice la preparación del siguiente modo.

- Devuelva el brazo fonocaptor al apoyo del brazo y asegúrelo mediante el agarre del brazo.

### 1 Haga coincidir el "0" en el anillo de ajuste de presión de la aguja con la línea central del eje trasero del brazo.

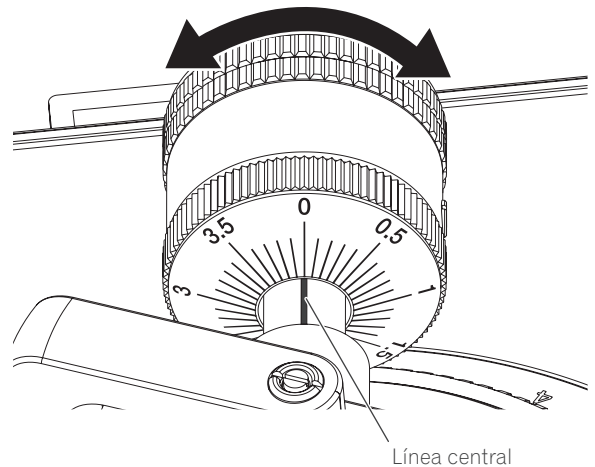
Mientras utiliza su dedo para mantener el contrapeso de modo que no se mueva, ajuste sólo el anillo de ajuste de presión de la aguja de modo que el número "0" coincida con la línea central negra del eje trasero del brazo fonocaptor.



### 2 Ajuste de la presión de la aguja.

Gire el contrapeso para ajustarlo al valor apropiado de la presión de la aguja para su cartucho.

- Al girar el contrapeso, se gira conjuntamente el anillo de ajuste de presión de la aguja. Mientras observa el anillo de ajuste, ajuste la presión de la aguja al valor adecuado.



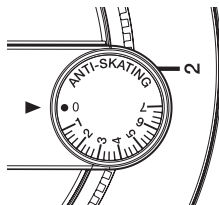


## Ajuste de anti-skating

Este ajuste se realiza para evitar los saltos de la aguja.

**Ha de coincidir con la misma posición de la escala que el valor de presión de la aguja.**

Gire el dial [ANTI SKATING] para que coincida con la línea de referencia del mismo valor que el valor de presión de la aguja del cartucho.



## Cuando se realiza una reproducción scratch

Para evitar los saltos de aguja, ajuste la posición de la escala para que coincida con la acción de reproducción.

## Ajuste de la altura del elevador del brazo

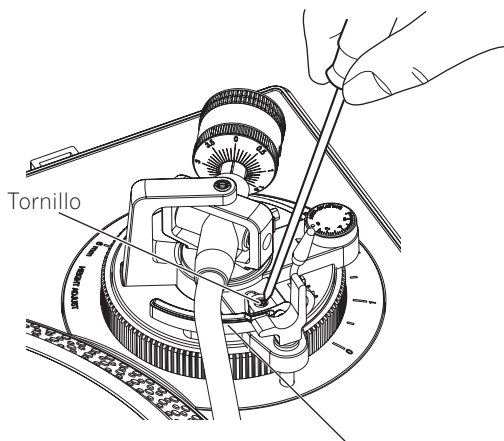
Cuando utilice un cartucho diferente al que se incluye, ajuste este valor para que sea el adecuado para el cartucho que utilice.

Realice la preparación del siguiente modo.

- Se coloca un disco en una slip mat.
- Retire la cubierta de la aguja y el agarre del brazo teniendo cuidado de no tocar la punta de la aguja.
- Tire hacia arriba de la palanca elevadora y desplace el brazo fonocaptor hasta el disco.

**Ajuste la altura girando el tornillo mientras el alzador del brazo baja.**

- Al girar en sentido horario se reduce la distancia entre el disco y la aguja.
- Al girar en sentido antihorario se amplía la distancia entre el disco y la aguja.
- La altura del elevador del brazo (la distancia entre el disco y la aguja cuando se sube la palanca elevadora) está ajustada de fábrica en un rango entre aproximadamente 8 mm y 13 mm.



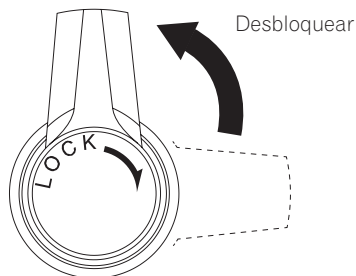
Elevador del brazo

## Ajuste de la altura del brazo

Cuando utilice el cartucho incluido, la posición "0" será la adecuada.

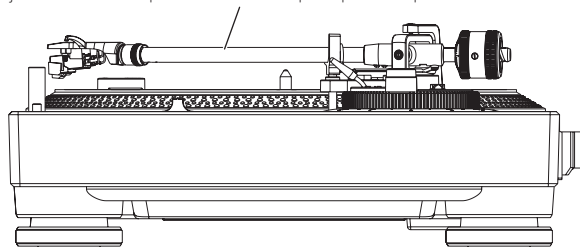
Cuando utilice un cartucho diferente al que se incluye, ajuste este valor para que sea el adecuado para el cartucho que utilice.

**1 Gire el bloqueo [HEIGHT ADJUST] para desbloquearlo.**

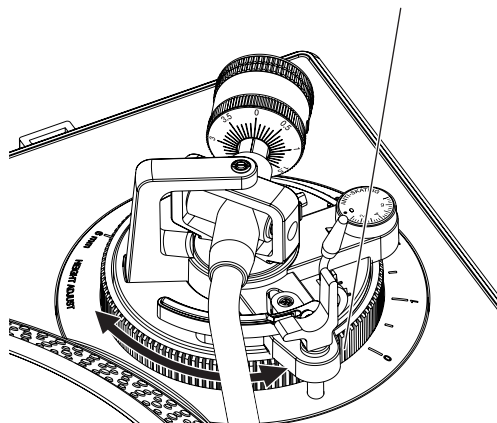


**2 Apriete hacia abajo la palanca elevadora y coloque la aguja en el disco; a continuación, ajuste el dial [HEIGHT ADJUST] para poner en paralelo el brazo fonocaptor y el disco.**

Ajústelo de forma que el brazo fonocaptor quede en posición horizontal.



Dial [HEIGHT ADJUST]



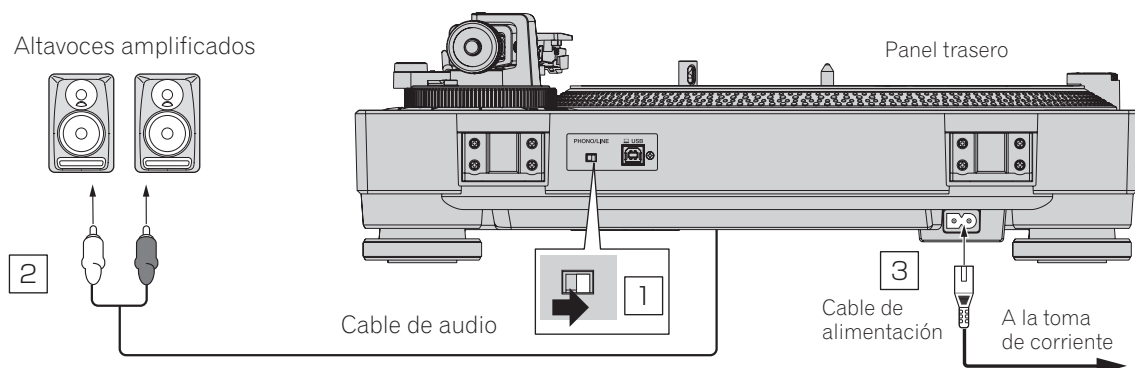
**3 Gire el bloqueo [HEIGHT ADJUST] para fijar la altura del brazo.**

Después de haber ajustado la altura del brazo, gire siempre el bloqueo [HEIGHT ADJUST] para fijar el brazo.

# Conexiones

- Asegúrese de desconectar la alimentación y desenchufar el cable de alimentación de la toma de corriente siempre que haga o cambie conexiones.
- Consulte el manual de instrucciones del componente que va a ser conectado.
- Conecte el cable de alimentación después de terminar las conexiones entre los aparatos.

## Conexión con altavoces amplificados



**1 Ajuste el conmutador [PHONO/LINE] en [LINE].**

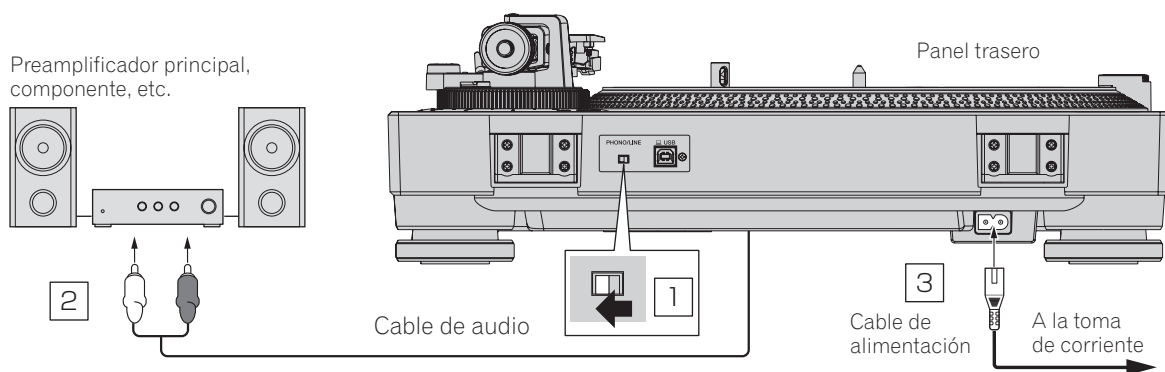
**2 Conecte el cable de audio al terminal de entrada [LINE] de los altavoces amplificados, etc.**

- Si es necesario, utilice el cable adaptador de audio que se incluye.

**3 Conecte el cable de alimentación.**

Conecta a una toma de corriente con el cable de alimentación incluido. Espere hasta que todas las conexiones entre el equipo estén terminadas antes de conectar el cable de alimentación.

## Conexión a un preamplificador y a un componente



**1 Ajuste el conmutador [PHONO/LINE] en [PHONO].**

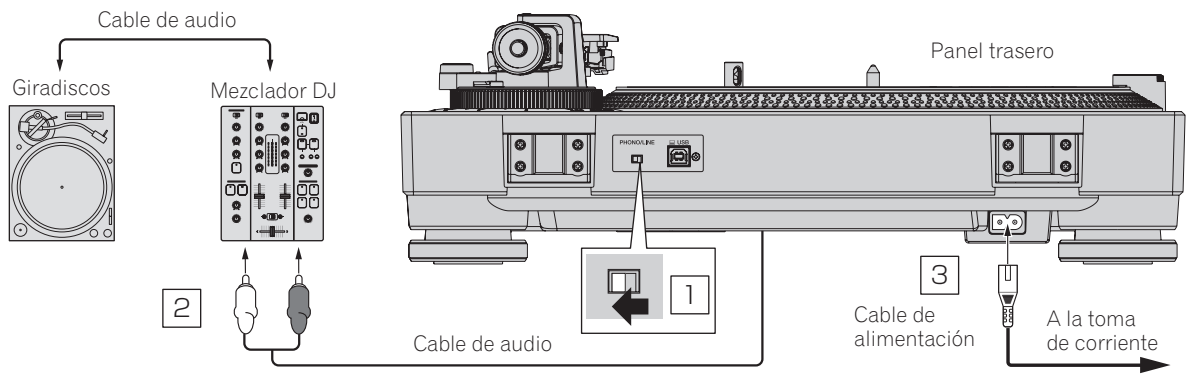
**2 Conecte el cable de audio al terminal de entrada [PHONO] del preamplificador principal o a otro componente.**

- Si este producto se conecta a un preamplificador o a un componente que no tenga un terminal [PHONO], no se puede alcanzar el volumen suficiente ni la calidad de sonido necesaria. En ese caso, ajuste el conmutador [PHONO/LINE] de esta unidad en [LINE] y, a continuación, conecte esta unidad al terminal de entrada [LINE] del preamplificador principal o utilice un ecualizador fonográfico.

**3 Conecte el cable de alimentación.**

Conecta a una toma de corriente con el cable de alimentación incluido. Espere hasta que todas las conexiones entre el equipo estén terminadas antes de conectar el cable de alimentación.

## Conexión a un mezclador DJ



### 1 Ajuste el conmutador [PHONO/LINE] en [PHONO].

### 2 Conecte el cable de audio al terminal de entrada [PHONO] del mezclador DJ.

- Si este producto se conecta a un mezclador DJ que no tenga un terminal de entrada [PHONO], no se puede alcanzar el volumen suficiente ni la calidad de sonido debida. En ese caso, ajuste el conmutador [PHONO/LINE] de esta unidad en [LINE] y, a continuación, conecte esta unidad al terminal de entrada [LINE] del mezclador DJ.

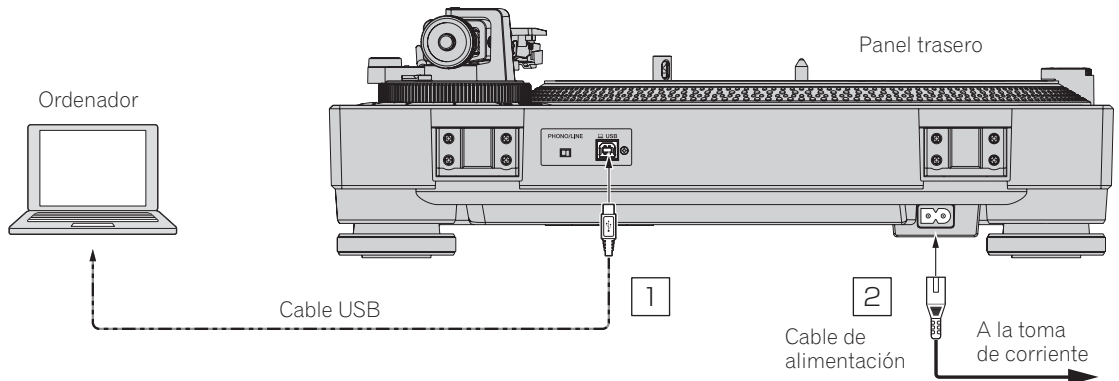
### 3 Conecte el cable de alimentación.

Conecta a una toma de corriente con el cable de alimentación incluido. Espere hasta que todas las conexiones entre el equipo estén terminadas antes de conectar el cable de alimentación.

## Conexión con un ordenador

No se necesita software de controlador USB para esta unidad.

➤ Grabación (pág.15)



### 1 Conecte el cable USB a un puerto USB del ordenador.

### 2 Conecte el cable de alimentación.

Conecta a una toma de corriente con el cable de alimentación incluido. Espere hasta que todas las conexiones entre el equipo estén terminadas antes de conectar el cable de alimentación.

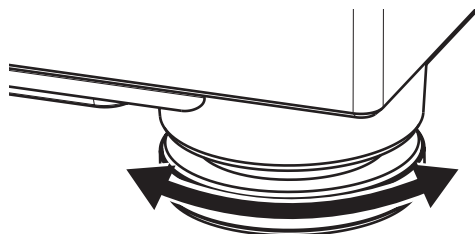
## Lugar de instalación

Coloque la unidad sobre una superficie plana que esté libre de vibraciones externas.

- Dentro de lo posible, mantenga la unidad alejada del sistema de altavoces.
- Si la unidad está muy cerca de una radio (emisiones AM/FM), la radio puede generar ruidos. Mantenga la distancia máxima posible con la unidad.

## Ajuste de la altura de la unidad principal

Ajuste la altura girando el aislador de modo que la unidad principal esté horizontal.



# Operación

## Conexión de la alimentación

**1 Haga todas las conexiones y luego conecte el cable de alimentación en una toma de corriente.**

➔ *Conexiones* (pág.12)

**2 Cambie el conmutador [POWER] hacia el lado [ON] para encender la unidad.**

Los indicadores de esta unidad se encienden y se conecta la alimentación.

## Desconexión de la alimentación

**Cambie el conmutador [POWER] hacia el lado [OFF] para apagar la unidad.**

La alimentación de esta unidad se desconecta.

## Reproducción

Realice la preparación del siguiente modo.

- Coloque un disco en el giradiscos.
- Retire la cubierta de la aguja y el agarre del brazo.

**1 Cambie el conmutador [POWER] hacia el lado [ON] para encender la unidad.**

**2 Seleccione la velocidad de rotación para que concuerde con el registro que se reproducirá al pulsar un botón de cambio de velocidad.**

**3 Pulse el botón [START/STOP].**

El giradiscos comienza a girar.

**4 Tire hacia arriba de la palanca elevadora y desplace el brazo fonocaptor hasta el disco.**

**5 Apriete hacia abajo la palanca elevadora.**

El brazo fonocaptor desciende lentamente y comienza la reproducción.

## Pausa de la reproducción

**Tire de la palanca elevadora hacia arriba.**

La aguja del cartucho se eleva alejándose del disco.

- Para volver a la reproducción, apriete hacia abajo la palanca elevadora.

## Final de la reproducción

**1 Tire hacia arriba de la palanca para devolver el brazo fonocaptor al apoyo del brazo y después apriete hacia abajo la palanca elevadora.**

**2 Pulse el botón [START/STOP].**

El giradiscos se detiene suavemente.

**3 Cambie el conmutador [POWER] hacia el lado [OFF] para apagar la unidad.**

Utilice el agarre del brazo para asegurar el brazo fonocaptor.

Para proteger la punta de la aguja, ponga la cubierta de la aguja.

Cierre la cubierta guardapolvo.

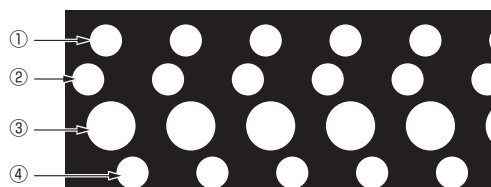
## Ajuste del tono

**Mueva la barra deslizante [TEMPO] hacia delante o hacia atrás.**

Si mueve la barra deslizante hacia adelante, se incrementa la velocidad de rotación y, si la mueve hacia atrás, disminuye la velocidad de rotación.

- Cuando la barra deslizante [TEMPO] esté en el centro, el indicador se iluminará de color amarillo-verde y la velocidad de rotación alcanzará las rpm que se especifiquen (33 1/3 rpm, 45 rpm o 78 rpm).
- La escala de la barra deslizante [TEMPO] es un valor aproximado. Utilícela como guía.
- Puede confirmar que la velocidad de rotación haya alcanzado las rpm especificadas observando las cuatro filas de patrones estroboscópicos inscritos alrededor del giradiscos.

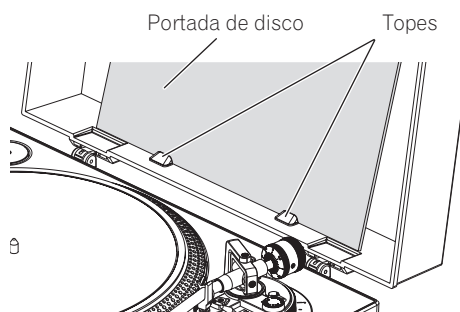
## Patrón estroboscópico



- ① Cuando el patrón estroboscópico aparezca detenido, 33 1/3 rpm (alimentación de 50 Hz)
  - ② Cuando el patrón estroboscópico aparezca detenido, 45 rpm (alimentación de 50 Hz)
  - ③ Cuando el patrón estroboscópico aparezca detenido, 33 1/3 rpm (alimentación de 60 Hz)
  - ④ Cuando el patrón estroboscópico aparezca detenido, 45 rpm (alimentación de 60 Hz)
- Se utiliza una iluminación estroboscópica (luz LED roja) para iluminar el patrón estroboscópico de esta unidad. Cuando compruebe el tono, utilice siempre la lámpara de iluminación estroboscópica.

## Visualización de una portada de disco

Coloque la portada de disco detrás de los topes fijados a la cubierta guardapolvo tal y como se muestra en la figura.



- No coloque nada más que una portada de disco.
- Coloque la portada de disco de forma correcta fijándola detrás de los topes.
- Cuando utilice esta característica durante la reproducción, tenga cuidado de que la portada de disco no caiga. Se puede dañar el disco o la aguja.
- Tenga cuidado de no cerrar la cubierta guardapolvo mientras haya una portada de disco colocada en ella.

## Para reproducir un disco EP estándar

Instale el adaptador de discos EP en el husillo central y pulse el botón [45].

## Iluminación de la punta de la aguja

Cuando se pulsa el conmutador para la iluminación de la aguja, se enciende la iluminación de la aguja en luz blanca y asciende hasta la posición en la que la punta de la aguja se ilumina.

- Si no se necesita, pulse el interruptor del iluminador de la aguja; este se apagará.
- No mire directamente a la luz mientras la iluminación de la aguja está encendida.

## Grabación

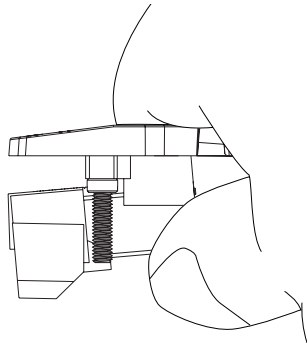
Los discos analógicos se pueden grabar conectando el equipo con un ordenador que tenga instalado el software de gestión de música "rekordbox". Para obtener detalles, acceda al sitio web del producto rekordbox que se indica a continuación y consulte el Manual de instrucciones de rekordbox en [Soporte].

<https://rekordbox.com/es/store/>

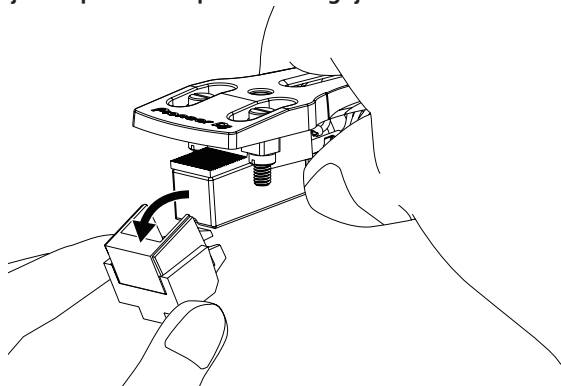
## Sustitución de la aguja

Compruebe que la alimentación no esté conectada antes de realizar el siguiente procedimiento.

### 1 Sujete el cartucho con una mano.



### 2 Retire el cartucho en la dirección de la flecha mientras sujeta la parte de soporte de la aguja con la otra mano.



## Cambio del cartucho

Esta unidad no es compatible con cartuchos MC. Utilice un cartucho VM o un cartucho MM.

## Extracción del cartucho

- 1 Retire los tornillos, las tuercas y las arandelas fijadas al portacápsula.
- 2 Desconecte los cables conectados al cartucho.

## Montaje del cartucho

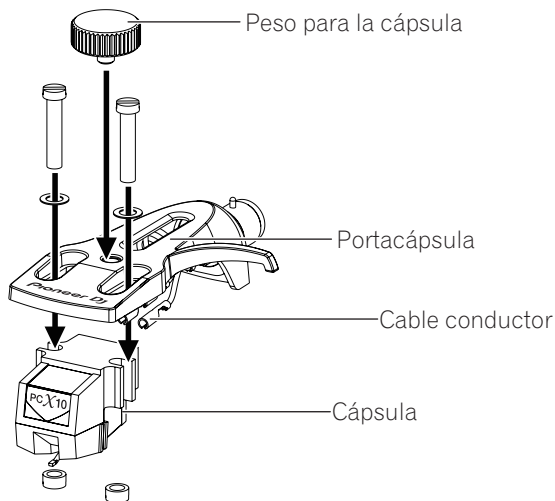
### 1 Conecte el cartucho haciendo coincidir los colores de los cables del portacápsula y los símbolos de los terminales del cartucho.

Haga coincidir los colores de los cables del portacápsula y los símbolos de los terminales del cartucho de la siguiente manera.

Mirando desde la parte frontal, la parte superior izquierda es L+: blanco, la parte inferior izquierda es L-: azul, la parte superior derecha es R+: rojo y la parte inferior derecha es R-: verde.

- Conecte los cables de forma segura usando pinzas o elementos similares.

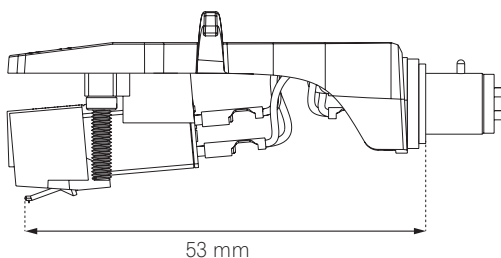
### 2 Monte el cartucho en el portacápsula usando los tornillos, las tuercas y las arandelas que se incluyen con el cartucho.



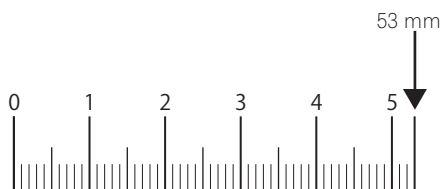
- Cuando monte el cartucho en el portacápsula, móntelo correctamente.
- Si se emplea un cartucho de 5 g o menos, utilice el peso suministrado para la cápsula.

## Ajuste del saliente

Utilice la siguiente escala de ajuste del saliente para ajustar la posición utilizando el tornillo de sujeción de cartucho de modo que la punta de la aguja se encuentre en una posición a 53 mm de la pieza de sujeción del brazo fonocaptor.



### Escala de ajuste del saliente



# Información adicional

## Solución de problemas

- La operación incorrecta se confunde a menudo con un problema o un fallo de funcionamiento. Si piensa que algo no funciona bien con este componente, verifique los puntos de abajo y las **[FAQ]** para el **[PLX-500]** en el sitio de asistencia Pioneer DJ.  
<http://pioneerdj.com/support/>  
Algunas veces, el problema puede estar en otro componente. Inspeccione los otros componentes y los aparatos eléctricos que esté utilizando. Si no se puede rectificar el problema, pida al centro de servicio más cercano o a su concesionario que realice el trabajo de reparación.
- Esta unidad puede no funcionar bien debido a la electricidad estática o a otras influencias externas. En este caso, el funcionamiento apropiado se puede restaurar desconectando la alimentación, esperando 1 minuto y volviendo a conectar la alimentación.

Problema	Verificación	Remedio
La alimentación no se conecta.	¿Está bien conectado el cable de alimentación? ¿Está el interruptor <b>[POWER]</b> para la alimentación de corriente puesto en <b>[ON]</b> ?	Conecte bien el cable de alimentación incluido a una toma de corriente. Coloque el interruptor <b>[POWER]</b> para la alimentación de corriente en <b>[ON]</b> .
No hay sonido o éste está muy bajo.	¿Están bien conectados los cables de audio? ¿Están sucios los terminales y las clavijas? ¿Está montado correctamente el portacápsula?	Conecte correctamente los cables de audio. Limpie los terminales y las clavijas antes de hacer conexiones. Monte correctamente el portacápsula.
Los sonidos izquierdo y derecho están invertidos.	¿Están invertidas las conexiones izquierda y derecha para cada parte del equipo?	Conecte correctamente el cable de audio y los conductores de la pieza portacápsula.
Se produce un zumbido grave (sonido tipo ronquido o zumbido) durante la reproducción.	¿Hay un dispositivo eléctrico como una lámpara fluorescente o su cable de alimentación cerca del cable de alimentación de la unidad?	Coloque el cable de alimentación de la lámpara fluorescente o del otro dispositivo lo más lejos posible.
La punta de la aguja no desciende hasta alcanzar el disco.	¿Está ajustada la presión de la aguja correctamente? ¿Está equilibrado el brazo horizontalmente?	Haga coincidir el contrapeso al valor apropiado de la presión de la aguja para su cartucho. Gire el contrapeso hasta que el brazo fonocaptor se encuentre en estado horizontal.
Se producen saltos de la aguja.	¿Está ajustada la presión de la aguja correctamente? ¿Está alabeado el disco o está rayado? ¿Se ha acumulado en la punta de la aguja una gran cantidad de polvo? ¿Está ajustado correctamente el anti-skating? ¿Está ajustada correctamente la altura del brazo?	Haga coincidir el contrapeso al valor apropiado de la presión de la aguja para su cartucho. Compruebe el estado del disco. Retire el portacápsula con el cartucho y utilice un pincel de punta suave o un pincel de escritura para eliminar con cuidado el polvo, etc. de la punta de la aguja. Ajuste el anti-skating correctamente. Ajuste correctamente la altura del brazo.
El brazo se detiene a lo largo del camino y no sigue adelante.	¿Está rayado el disco? ¿Tiene contacto el brazo con algún obstáculo?	Compruebe el estado del disco. Compruebe alrededor del brazo. Si hay algún obstáculo, retírelo.
El volumen de sonido es bajo o alto (distorsionado).	¿Es adecuada la conexión con el amplificador para el tipo de cartucho (salida)? ¿El ajuste del conmutador <b>[PHONO/LINE]</b> es correcto?	Conecte correctamente los cables de conexión. Ajuste el conmutador <b>[PHONO/LINE]</b> correctamente al terminal de entrada del dispositivo conectado.
El giradiscos vibra mucho.	Se ha adherido suciedad, etc. a las piezas de sujeción del giradiscos y al eje central.	Retire la suciedad.

## Cuidados para el uso

### Acerca de la condensación

En invierno pueden formarse gotas de agua (condensación) dentro de la unidad (en las partes de funcionamiento o en la lente), por ejemplo, si ésta se pasa de un lugar frío a otro caliente o si la temperatura de la habitación donde está instalada la unidad aumenta repentinamente (empleando una calefacción, etc.). La unidad no funcionará correctamente o no funcionará en absoluto con condensación en su interior. Deje la unidad a la temperatura ambiental de la habitación durante 1 ó 2 horas (aunque este tiempo depende de las condiciones de la condensación) sin conectar su alimentación. Las gotas de agua se evaporarán y la unidad podrá reproducir. La condensación también se puede producir en verano si la unidad se expone a la salida directa de aire procedente de un acondicionador de aire, etc. Si pasa esto, ponga la unidad en una posición diferente.

### Al transportar la unidad a otra ubicación

Utilice los materiales de embalaje originales para empaquetar la unidad. Si los materiales de embalaje originales no están disponibles, asegúrese de realizar lo siguiente.

- Desmunte el giradiscos y la slip mat antes del embalaje.
- Desmunte el portacápsula y el contrapeso del brazo y empaquéte los con cuidado.
- Utilice el agarre del brazo para asegurar el brazo fonocaptor y utilice cinta adhesiva para fijarlo sin que pueda moverse.
- Envuelva la unidad central en una manta o un papel suave de modo que no se dañe.
- Empaquéte lo de forma que no se ejerza fuerza sobre el brazo fonocaptor.

### Mantenimiento de cada parte

Al montar y desmontar el portacápsula, apague la alimentación del amplificador.  
Si lo hace mientras el volumen es alto, se pueden dañar los altavoces.

- Retire el portacápsula con el cartucho y utilice un pincel de punta suave o un pincel de escritura para eliminar con cuidado el polvo, etc. de la punta de la aguja.
- Utilice un limpiador de buena calidad para limpiar los discos.
- Utilice un paño suave o similar para limpiar el terminal del portacápsula y vuelva a montarlo en el brazo fonocaptor.

## ----- Limpieza de la cubierta guardapolvo, etc.

Utilice un paño suave para limpiar la cubierta guardapolvo y el gabinete

- No limpie la cubierta guardapolvo durante la reproducción. La energía estática puede provocar que el brazo fonocaptor sea empujado por la cubierta guardapolvo.

---

## Acerca de las marcas de fábrica y marcas registradas

- "Pioneer DJ" es una marca comercial de PIONEER CORPORATION y se usa bajo licencia.
- rekordbox es una marca comercial o marca registrada de Pioneer DJ Corporation.

Los nombres de compañías y productos mencionados aquí son marcas comerciales o marcas comerciales registradas de sus respectivos propietarios.

---

## Especificaciones

Requisitos de potencia..... CA 110 V a 120 V, o 220 V a 240 V, 50 Hz/60 Hz  
 Consumo de energía..... 11 W  
 Peso de la unidad principal ..... 10,7 kg  
 Dimensiones máximas .... 450 mm (An) × 158,5 mm (Al) × 367,5 mm (Pr)  
 Temperatura de funcionamiento tolerable..... +5 °C a +35 °C  
 Humedad de funcionamiento tolerable .....5 % a 85 % (sin condensación)

### Parte del giradiscos

Método de accionamiento..... Accionamiento directo tipo servo  
 Motor ..... Motor sin escobillas de 3 fases de cc  
 Sistema de freno ..... Freno electrónico  
 Velocidad de rotación .....33 1/3 rpm, 45 rpm, 78 rpm  
 Rango de ajuste de la velocidad de rotación ..... ±8 %  
 Loro y fluctuación..... 0,15 % o inferior a WRMS  
 Relación señal/ruido..... 50 dB o superior  
 Giradiscos.... Caja de fundición a presión de aluminio; diámetro: 332 mm  
 Presión de arranque ..... 1,6 kg·cm o más  
 Tiempo de arranque.....1 segundo o menos (a 33 1/3 rpm)

### Parte del brazo fonocaptor

Tipo de brazo...Brazo fonocaptor universal de tipo forma en S, estructura de alojamiento de tipo gimbal admitido, tipo de equilibrado estático  
 Longitud efectiva..... 230,5 mm  
 Saliente..... 16 mm  
 Error de pista..... Dentro de 3°  
 Rango de ajuste de la altura del brazo ..... 6 mm  
 Rango variable de presión de la aguja .....0 g a 4,0 g (1 escala 0,1 g)  
 Peso propio del cartucho .....9,5 g o menos (cartucho simple)  
 Tipo de cartucho ..... VM

### Tensión de salida

**PHONO**.....2,5 mV/1 kHz  
**LINE**.....150 mV/1 kHz

### Consumo de energía para México

Modo normal<sup>[1]</sup> ..... 11 Wh/día

[1] Considerando 1 hora de uso al día

— Las especificaciones y diseño de este producto están sujetos a cambios sin previo aviso.

- © 2016 Pioneer DJ Corporation. Todos los derechos reservados.



Se quiser eliminar este produto, não o misture com resíduos domésticos gerais. Existe um sistema de recolha separado para produtos eletrónicos usados de acordo com a legislação que requer tratamento, recuperação e reciclagem adequados.

Os consumidores dos Estados-membros da UE, da Suíça e da Noruega podem entregar equipamentos eletrónicos fora de uso em determinadas instalações de recolha ou a um retalhista (se adquirirem um equipamento novo similar).

Nos países não mencionados acima, informe-se sobre o método de eliminação correto junto das autoridades locais.

Ao fazê-lo estará a garantir que o produto que já não tem utilidade para si é submetido a processos de tratamento, recuperação e reciclagem adequados, evitando-se assim potenciais efeitos negativos para o ambiente e a saúde humana.

K058b\_A2\_Pt

## CUIDADO

PARA PREVENIR O PERIGO DE CHOQUE ELÉTRICO, NÃO REMOVA A COBERTURA (NEM A PARTE POSTERIOR). NÃO EXISTEM NO INTERIOR PEÇAS REPARÁVEIS PELO UTILIZADOR. A MANUTENÇÃO DEVE SER EFETUADA POR PESSOAL ESPECIALIZADO.

D3-4-2-1-1\_B1\_Pt

## AVISO

Este aparelho não é à prova de água. Para prevenir o perigo de incêndio ou choque elétrico, não coloque perto dele recipientes contendo líquidos (tais como uma jarra ou um vaso de flores) nem o exponha a pingos, salpicos, chuva ou humidade.

D3-4-2-1-3\_A1\_Pt

## AVISO

Para prevenir o perigo de incêndio, não coloque fontes de chamas nuas (tais como uma vela acesa) sobre o aparelho.

D3-4-2-1-7a\_A1\_Pt

## Ambiente de funcionamento

Temperatura e humidade do ambiente de funcionamento:

+5 °C a +35 °C; humidade relativa inferior a 85 % (respiradouros de refrigeração não bloqueados)

Não instale o aparelho num espaço insuficientemente arejado ou em locais expostos a uma humidade elevada ou a luz solar direta (ou a iluminação artificial intensa).

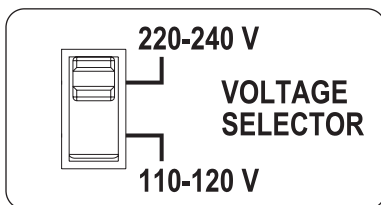
D3-4-2-1-7c\*\_A1\_Pt

## Selector de voltagem

Nos modelos com multivoltagem, o interruptor selector de voltagem encontra-se no painel superior.

**A definição de fábrica do selector de voltagem é 220-240 V. Defina o selector para a voltagem adequada ao seu país ou região.**

Antes de alterar a voltagem, desligue o cabo de alimentação de CA. Utilize uma chave de parafusos de tamanho médio para alterar a posição do interruptor selector de voltagem.



D3-4-2-1-5\*\_A2\_Pt

Este produto destina-se a utilização doméstica geral. A reparação de qualquer avaria devida a utilizações fora desse âmbito (como, por exemplo, utilização prolongada num restaurante, para efeitos comerciais, ou utilização num automóvel ou num barco) será cobrada, ainda que dentro da garantia.

K041\_A1\_Pt

## CUIDADOS COM A VENTILAÇÃO

Quando instalar esta unidade, certifique-se de que deixa espaço em torno da unidade para ventilação de modo a melhorar a radiação térmica (pelo menos 15 cm na parte superior, 5 cm na parte posterior e 5 cm em cada um dos lados).

## AVISO

As ranhuras e as aberturas da caixa destinam-se a ventilação, para garantir o funcionamento fiável do produto e para evitar o seu sobreaquecimento. Para evitar riscos de incêndio, as aberturas nunca devem ser bloqueadas ou cobertas com coisas (como jornais, toalhas de mesa, cortinas) ou através do funcionamento do equipamento em cima de um tapete grosso ou uma cama.

D3-4-2-1-7b\*\_A1\_Pt



## AVISO SOBRE O CABO DE ALIMENTAÇÃO

Manuseie o cabo de alimentação através da ficha. Não retire a ficha puxando o cabo e nunca toque no cabo de alimentação com as mãos húmidas, pois pode provocar um curto-circuito ou choque elétrico. Não coloque a unidade, um móvel, etc., sobre o cabo de alimentação nem trilhe o cabo. Nunca faça um nó no cabo nem o amarre a outros cabos. Os cabos de alimentação devem ser encaminhados de modo a não serem pisados. Um cabo de alimentação danificado pode provocar um incêndio ou um choque elétrico. Verifique periodicamente o cabo de alimentação. Quando estiver danificado, solicite um cabo de alimentação de substituição junto do seu revendedor ou centro de assistência.

S002\*\_A1\_Pt

### CUIDADO

O botão **POWER** do aparelho não o desliga completamente da energia fornecida pela tomada CA. Uma vez que o cabo de alimentação serve como o principal dispositivo de desconexão, será necessário desligá-lo da tomada para desligar toda a alimentação. Por isso, verifique se a unidade foi instalada de forma que o cabo de alimentação possa ser facilmente desligado da tomada AC, em caso de acidente. Para prevenir o risco de incêndio, deverá desligar igualmente o cabo de alimentação de energia da tomada CA quando o aparelho não for utilizado durante um período prolongado (por exemplo, durante um período de férias).

D3-4-2-2-2a\*\_A1\_Pt

---

---

# Índice

## Como ler este manual

- Obrigado por adquirir este produto da Pioneer DJ. Certifique-se de que lê este folheto que inclui informações importantes que deve compreender antes de utilizar este produto. Após terminar de ler as instruções, coloque-as num local seguro para futura referência.
- Neste folheto, os nomes dos botões e dos terminais da unidade principal são indicados entre parêntesis retos ([ ]). Exemplos:  
Prima o botão [START/STOP].

## 01 Antes de começar

Características .....	5
Conteúdo da embalagem .....	5

## 02 Antes de começar

Instalar o rekordbox (Mac/Windows) .....	6
Montagem .....	6

## 03 Nomes de peças e funções

Painel superior .....	8
Painel posterior .....	9

## 04 Regulação

Regular o balanço do braço de leitura .....	10
Regular a pressão da agulha .....	10
Regular o anti-skating .....	11
Regular a altura do elevador do braço .....	11
Regular a altura do braço .....	11

## 05 Ligações

Ligar a altifalantes alimentados .....	12
Ligar a um componente e a um amplificador integrado .....	12
Ligar a uma mesa de mistura de DJ .....	13
Ligar a um computador .....	13
Local de instalação .....	13
Regular a altura da unidade principal .....	13

## 06 Funcionamento

Ligar a alimentação .....	14
Desligar a alimentação .....	14
Reprodução .....	14
Interromper a reprodução .....	14
Terminar a reprodução .....	14
Regular o pitch .....	14
Exibir uma capa de disco .....	14
Para ouvir um disco EP standard .....	15
Iluminar a ponta da agulha .....	15
Gravação .....	15
Substituir a agulha .....	15
Mudar a célula .....	15

## 07 Informações adicionais

Resolução de problemas .....	16
Cuidados no uso .....	16
Manutenção de cada peça .....	16
Acerca de marcas comerciais e marcas comerciais registadas .....	17
Especificações .....	17

---

---

# Antes de começar

---

---

## Características

Esta unidade é um gira-discos de acionamento direto e elevado binário que pode ser desfrutada com várias aplicações, quer esteja a ouvir música em casa ou em atuações de DJ.

---

## Som de discos analógicos de alta qualidade

O caminho desde a ponta da agulha até à saída **PHONO/LINE** foi concebido com a distância mais curta possível para reproduzir fielmente a qualidade de som original dos discos analógicos.

Além disso, uma vez que além da saída **PHONO** é também suportada a saída **LINE**, pode desfrutar facilmente do som de discos analógicos de alta qualidade, tendo para isso apenas de ligar diretamente altifalantes alimentados.

---

## Gravação digital simples

É fornecido um terminal **USB-B** para que possa ligar esta unidade diretamente a um PC ou a um Mac e, em seguida, gravar fontes de som analógicas para o PC ou Mac convertendo-as em dados. Quando pretender efetuar gravações, pode realizar uma gravação digital com operações simples se utilizar a função de gravação da aplicação de gestão de música gratuita "rekordbox" (Ver.4.2.1 ou posterior).

---

## Disco de acionamento direto com capacidade para atuações de DJ

A adoção de um sistema de acionamento direto e binário elevado significa que pode realizar mistura de faixas, scratching e outras atuações de DJ combinando duas destas unidades com um misturador de DJ.

---

## Tampa antipó que pode ser utilizada como base para a capa de um disco

É possível exibir a capa de um disco na tampa antipó enquanto esta está aberta. Desta forma, pode desfrutar do som de discos analógicos enquanto visualiza a capa do disco.

---

## Conteúdo da embalagem

- Prato
- Tapete anti estático
- Tampa antipó
- Adaptador para disco EP
- Contrapeso
- Cabeça (célula incluída)
- Peso
- Cabo de alimentação
- Cabo USB
- Cabo adaptador de áudio (ficha de pinos estéreo (fêmea) para minificha estéreo (macho))
- Garantia (apenas para algumas regiões)<sup>[1]</sup>
- Instruções de operação (este documento)

[1] A garantia incluída é para a região europeia.

### AVISO

Guarde as peças pequenas fora do alcance das crianças. Se forem engolidas acidentalmente, contacte imediatamente um médico.

D41-6-4\_A3\_Pt

# Antes de começar

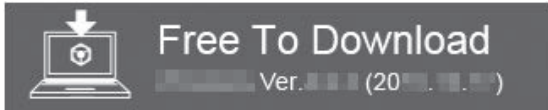
## Instalar o rekordbox (Mac/Windows)

### 1 Aceda ao rekordbox.com.

<https://rekordbox.com/en/store/>

- Os conteúdos da página estão sujeitos a alterações sem aviso prévio.

### 2 Selecione o guia Como Começar e, em seguida, clique em [Free To Download].



### 3 Leia atentamente o Acordo de Licença do Software pelo Utilizador Final e selecione a caixa de verificação [Concordo], se concordar.

Quando seleciona a caixa de verificação, [Download] torna-se selecionável.

### 4 Clique em [Download].

A transferência do rekordbox (Mac/Windows) inicia-se.

### 5 Clique duas vezes no ficheiro transferido para o descomprimir.

### 6 Clique duas vezes no ficheiro descomprimido para executar o programa de instalação.

### 7 Leia com atenção o Acordo de Licença do Utilizador Final do Software e, se concordar, prossiga com a instalação de acordo com as instruções apresentadas no ecrã.

- Se não concordar com o conteúdo do Acordo de Licença do Utilizador Final do Software, cancele a instalação.

### 8 Quando o ecrã de conclusão da instalação aparecer, siga as instruções apresentadas no ecrã para fechar o programa de instalação.

A instalação está agora concluída.

- Para utilizar o rekordbox dj, o rekordbox dvs e o rekordbox video, é necessário efetuar a ativação (autenticação da licença). Para obter mais informações, consulte as instruções de funcionamento do rekordbox.

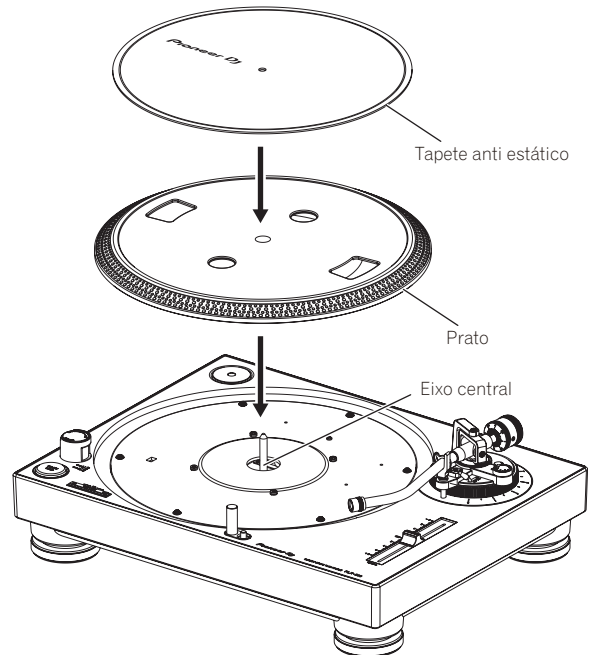
<https://rekordbox.com/en/support/manual.php>

## Montagem

### 1 Monte o prato e o tapete anti estático.

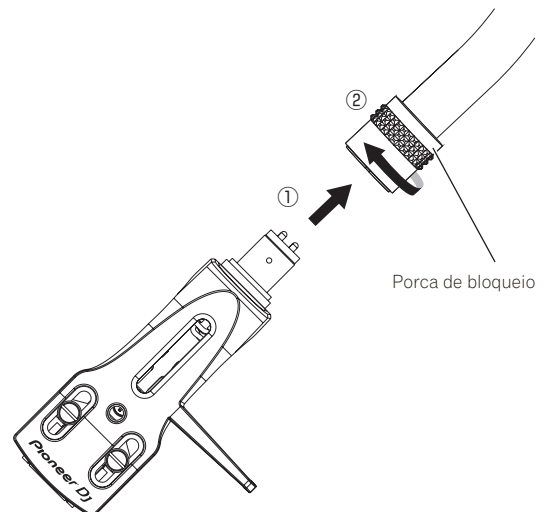
Coloque o prato no eixo central e posicione o tapete anti estático em cima do prato.

- Tenha cuidado para não bater com o prato na unidade principal nem o deixar cair.

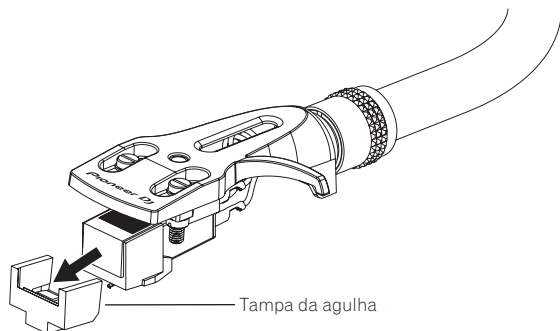


### 2 Monte a cabeça.

Introduza a cabeça com a célula montada no braço de leitura. Em seguida, mantendo a cabeça no horizontal, aperte a porca de fixação.

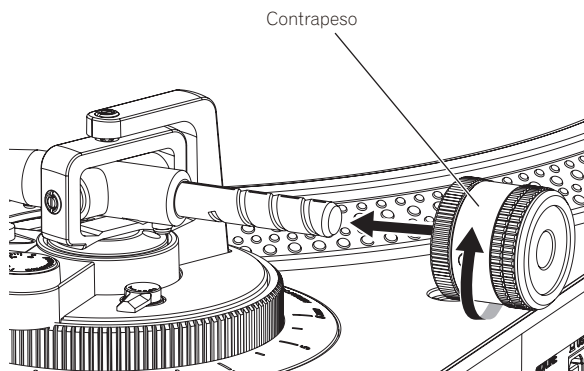


- Antes de utilizar, retire a tampa da agulha sem tocar na ponta da agulha.



### 3 Monte o contrapeso.

Monte o contrapeso no eixo traseiro do braço de leitura.

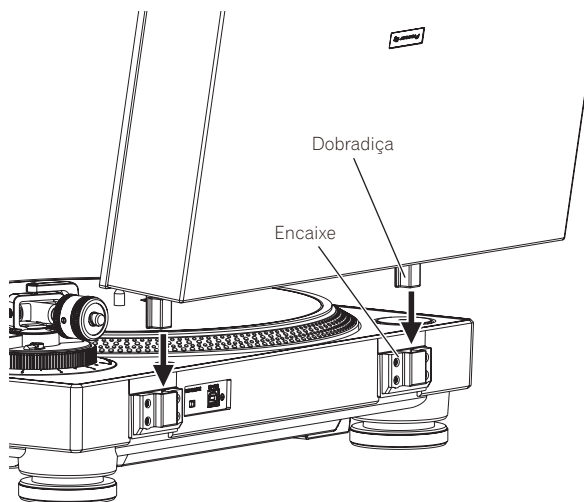


---

### Monte a tampa antipó.

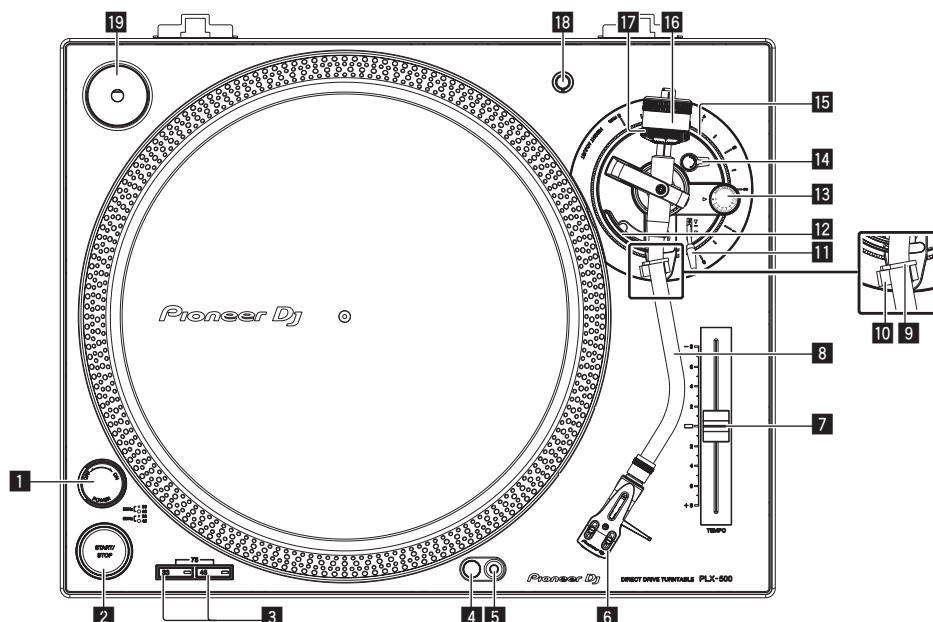
**Introduza as dobradiças da tampa antipó nos encaixes existentes no painel posterior desta unidade.**

Quando pretender retirar a tampa antipó, puxe as dobradiças para cima mantendo a tampa antipó aberta.



# Nomes de peças e funções

## Painel superior



### 1 Interruptor POWER

Quando roda o interruptor para o lado [ON], liga o gira-discos e o iluminador estroboscópico lateral acende-se.

- ↻ *Ligar a alimentação* (pág.14)
- ↻ *Desligar a alimentação* (pág.14)

### 2 Botão START/STOP

Se premir o botão inicia ou para a rotação do prato.

- ↻ *Reprodução* (pág.14)

### 3 Botão de mudança de velocidade

Muda a velocidade de acordo com o disco que vai reproduzir.

- No caso de um disco de 33 1/3 rpm, prima o botão [33].
  - Para um disco de 45 rpm, prima o botão [45].
  - Para um disco de 78 rpm, prima o botão [33] e o botão [45] em simultâneo.
- ↻ *Reprodução* (pág.14)

### 4 Iluminador da agulha

Acende-se para iluminar a ponta da agulha.

- ↻ *Iluminar a ponta da agulha* (pág.15)

### 5 Interruptor do iluminador da agulha

O iluminador da agulha acende-se com uma luz branca e sobe para a posição em que a ponta da agulha fica iluminada.

- ↻ *Iluminar a ponta da agulha* (pág.15)

### 6 Cabeça

### 7 Deslizador TEMPO

Pode empurrar o cursor para a frente ou para trás para fazer o ajuste fino da velocidade de rotação.

- ↻ *Regular o pitch* (pág.14)

### 8 Braço de leitura

- ↻ *Regulação* (pág. 10)

### 9 Gancho do braço

Prende o braço de leitura.

### 10 Apoio do braço

Serve como base de suporte do braço de leitura.

### 11 Alavanca do elevador

O braço de leitura sobe quando puxa a alavanca para cima. Quando empurra a alavanca para baixo o braço desce.

### 12 Elevador do braço

Este dispositivo move o braço de leitura para cima ou para baixo. É acionado com a alavanca.

### 13 Botão rotativo ANTI SKATING

Quando ouve um disco, há uma força que puxa a ponta da agulha na direção do perímetro interior. Se acertar este botão rotativo com valor da pressão da agulha, essa força é eliminada.

- ↻ *Regular o anti-skating* (pág.11)

### 14 Lingueta de bloqueio de HEIGHT ADJUST

Bloqueia a altura para que o braço foi regulado.

- ↻ *Regular a altura do braço* (pág.11)

### 15 Botão rotativo HEIGHT ADJUST

Utilizado para regular a altura do braço de leitura.

- ↻ *Regular a altura do braço* (pág.11)

### 16 Contrapeso

Utiliza-se para balancear o braço de leitura e regular a pressão da agulha.

- ↻ *Regulação* (pág. 10)

### 17 Anel de regulação da pressão da agulha

Utiliza-se para acertar a pressão adequada da agulha da célula.

- ↻ *Regular a pressão da agulha* (pág.10)

### 18 Suporte para a cabeça

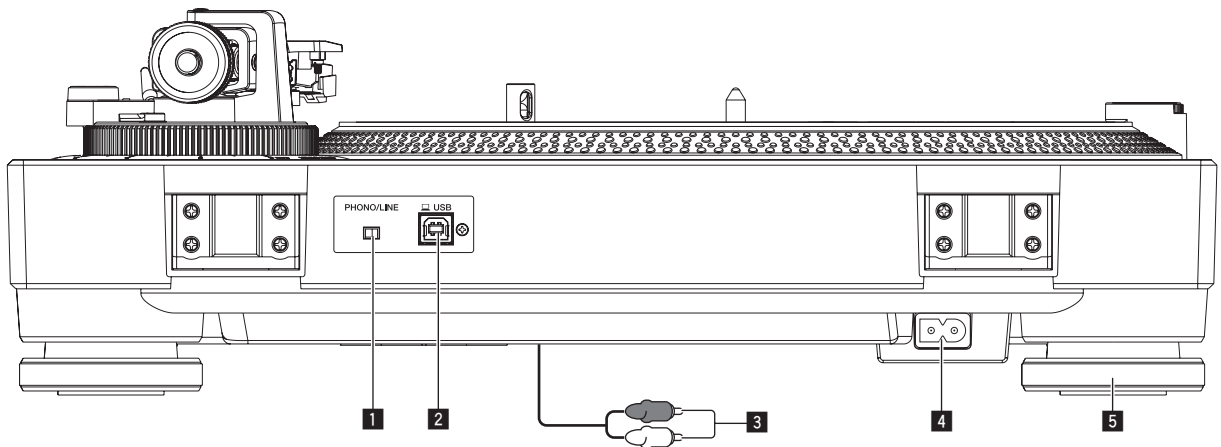
Utiliza-se para manter a cabeça na vertical.

### 19 Adaptador para disco EP

Utiliza-se para reproduzir discos EP standard.

- ↻ *Para ouvir um disco EP standard* (p.15)

## Painel posterior



### 1 Interruptor PHONO/LINE

Alterna o nível da saída do som da unidade.

- **[PHONO]**: Selecione esta opção quando a unidade estiver ligada a um dispositivo que suporte entrada de nível fono como, por exemplo, um amplificador integrado ou componente.
- **[LINE]**: Selecione esta opção quando a unidade estiver ligada a um dispositivo que suporte entrada de nível de linha como, por exemplo, altifalantes alimentados.



### ADVERTÊNCIA

Não ligue a unidade a um dispositivo que suporte entrada de nível fono quando o interruptor **PHONO/LINE** se encontrar no estado **[LINE]**.

### 2 Terminal USB

Ligue o cabo USB (incluído) aqui.

- ➔ *Ligar a um computador (pág.13)*

### 3 Cabo de áudio

- ➔ *Ligações (pág.12)*

### 4 AC IN

Liga a uma saída de alimentação utilizando o cabo de alimentação incluído. Aguarde até todas as ligações entre o equipamento estiverem completas antes de ligar o cabo de alimentação.

- Certifique-se de que utiliza o cabo de alimentação incluído.

### 5 Isolador

Elimina o efeito da vibração exterior. Se rodar o isolador regula a altura do prato.

- ➔ *Regular a altura da unidade principal (p.13)*

# Regulação

## Regular o balanço do braço de leitura

Como os pesos da célula e da cabeça diferem com o produto, o balanço do braço de leitura tem de ser regulado.

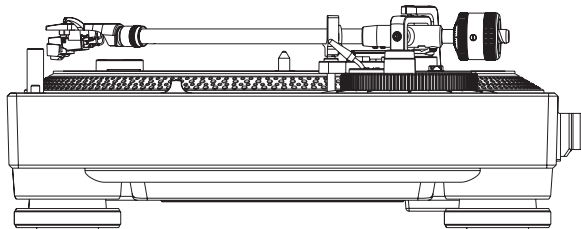
Faça o seguinte.

- Retire a tampa da agulha e o gancho do braço com cuidado para não tocar na ponta da agulha.
- Empurre para baixo a alavanca do elevador.
- Regule o botão rotativo [ANTI SKATING] para "0".

## Mantenha o braço de leitura no descanso e ajuste o balanço até o braço ficar horizontal.

Rode o contrapeso até o braço de leitura ficar na horizontal.

- Ao mover o braço de leitura, certifique-se de que a ponta da agulha não toca diretamente no prato nem em nada.



## Regular a pressão da agulha

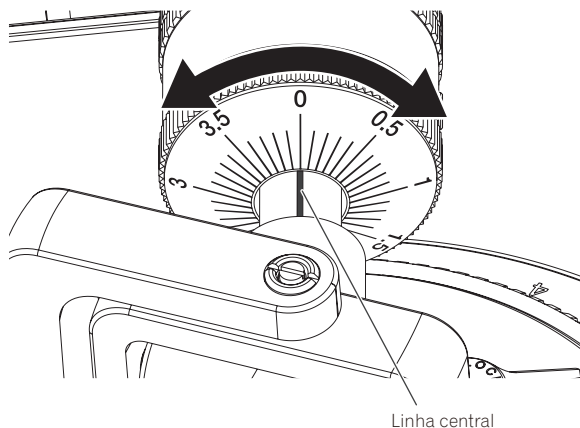
Para evitar que a agulha salte ou haja distorções no som, a pressão da agulha é regulada para o valor de pressão adequado a cada célula. O valor da pressão da agulha adequado à célula incluída varia entre 3,0 g a 4,0 g.

Faça o seguinte.

- Volte a colocar o braço de leitura no descanso e prenda-o com o gancho.

### 1 Acerte o "0" do anel de regulação da pressão da agulha com a linha central do eixo traseiro do braço.

Segure o contrapeso com o dedo para impedir que se mova e rode apenas o anel de regulação da pressão da agulha de forma a que o número "0" fique posicionado na linha central preta do eixo traseiro do braço de leitura.

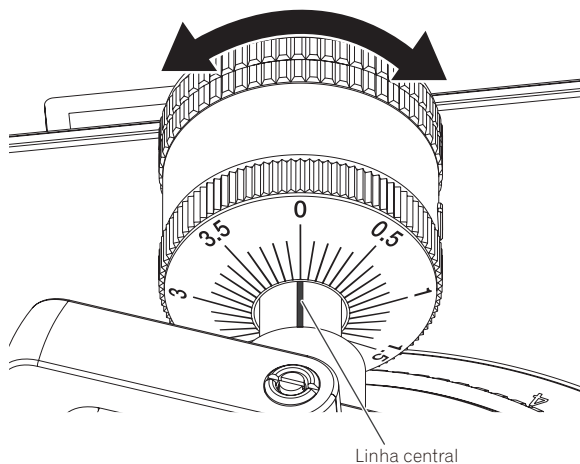


Linha central

### 2 Regule a pressão da agulha.

Rode o contrapeso para regular o valor da pressão da agulha adequada à célula.

- Quando roda o contrapeso, o anel de regulação da pressão também roda. Olhando para o anel de regulação, regule a pressão da agulha para o valor adequado.



Linha central

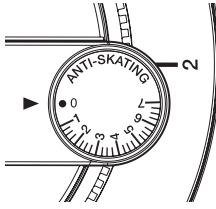


## Regular o anti-skating

Esta regulação é feita para evitar que a agulha salte.

### Acerte-a para a posição da régua correspondente ao valor da pressão da agulha.

Rode o botão rotativo [ANTI SKATING] de maneira a que a linha de referência coincida com o valor da pressão da agulha da célula.



## Se estiver a fazer scratch

Para evitar que a agulha salte, regule a posição da régua em conformidade.

## Regular a altura do elevador do braço

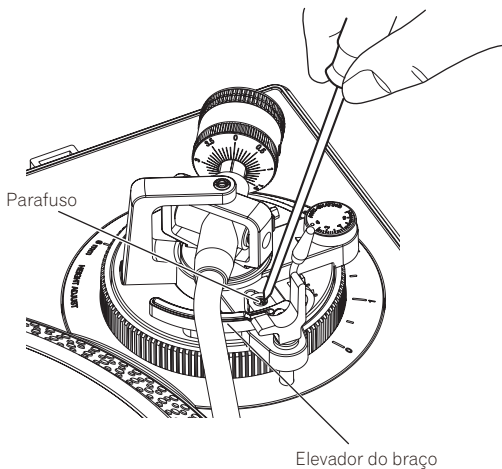
Quando utilizar outra célula que não a incluída, ajuste a altura de acordo com a célula que vai ser utilizada.

Faça o seguinte.

- Está posicionado um disco num tapete anti estático.
- Retire a tampa da agulha e o gancho do braço com cuidado para não tocar na ponta da agulha.
- Levante a alavanca do elevador e coloque o braço de leitura sobre o disco.

### Regule a altura rodando o parafuso ao mesmo tempo que empurra o elevador do braço para baixo.

- Se rodar no sentido dos ponteiros do relógio diminui a distância entre o disco e a agulha.
- Se rodar no sentido contrário ao dos ponteiros do relógio, aumenta a distância entre o disco e a agulha.
- A altura do elevador do braço (a distância entre o disco e a agulha quando a alavanca do elevador é puxada para cima) é regulada na fábrica para um valor entre cerca de 8 mm e 13 mm.

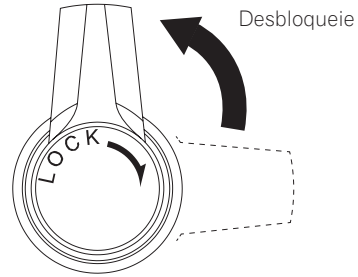


Elevador do braço

## Regular a altura do braço

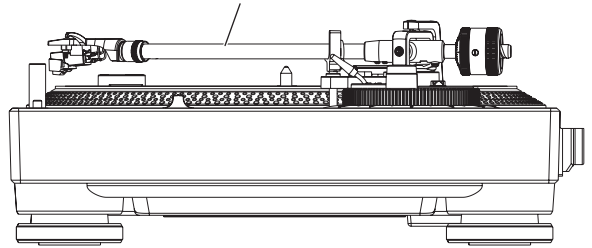
Quando utilizar a célula incluída, a posição "0" é adequada. Quando utilizar outra célula que não a incluída, ajuste a altura de acordo com a célula que vai ser utilizada.

### 1 Rode a lingueta de bloqueio [HEIGHT ADJUST] para desbloquear.

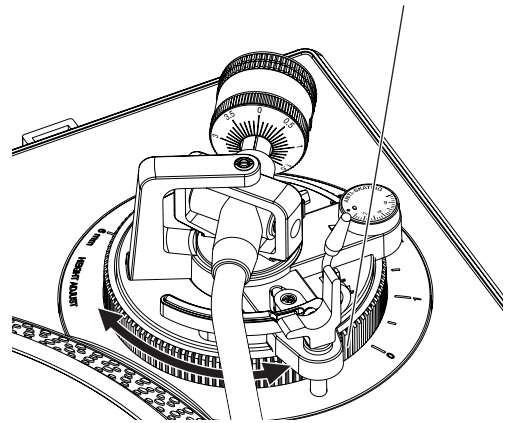


### 2 Empurre a alavanca do elevador para baixo e coloque a agulha no disco; depois regule o botão rotativo [HEIGHT ADJUST] de maneira a que o braço de leitura e o disco fiquem paralelos.

Ajuste de forma a que o braço de leitura fique na horizontal.



Botão rotativo [HEIGHT ADJUST]



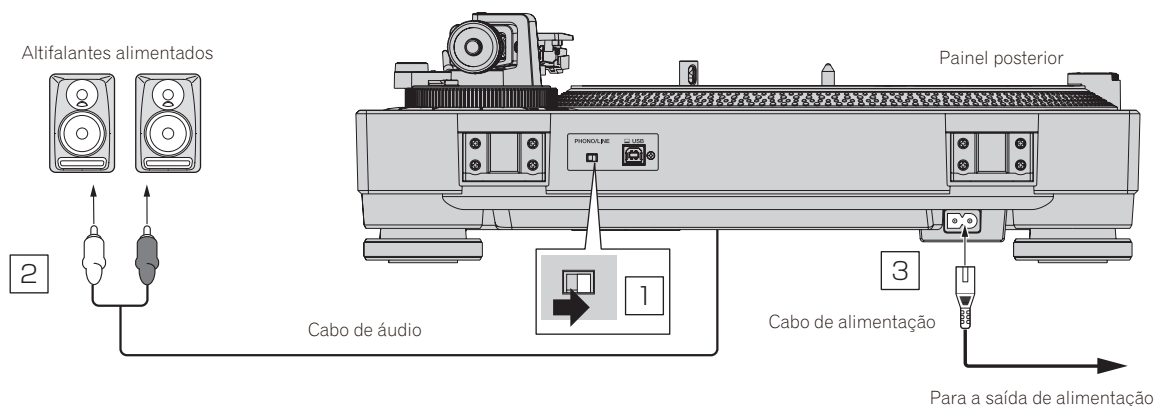
### 3 Rode a lingueta de bloqueio [HEIGHT ADJUST] para fixar a altura do braço.

Depois de regular a altura do braço, rode sempre a lingueta de bloqueio [HEIGHT ADJUST] para fixar o braço.

# Ligações

- Certifique-se de desligar a energia e desligar o fio da tomada sempre que fizer ou mudar as ligações.
- Consulte as instruções de funcionamento do componente a ligar.
- Ligue o fio elétrico depois de terminar de fazer todas as ligações entre os dispositivos.

## Ligar a altifalantes alimentados



**1 Coloque o interruptor [PHONO/LINE] na posição [LINE].**

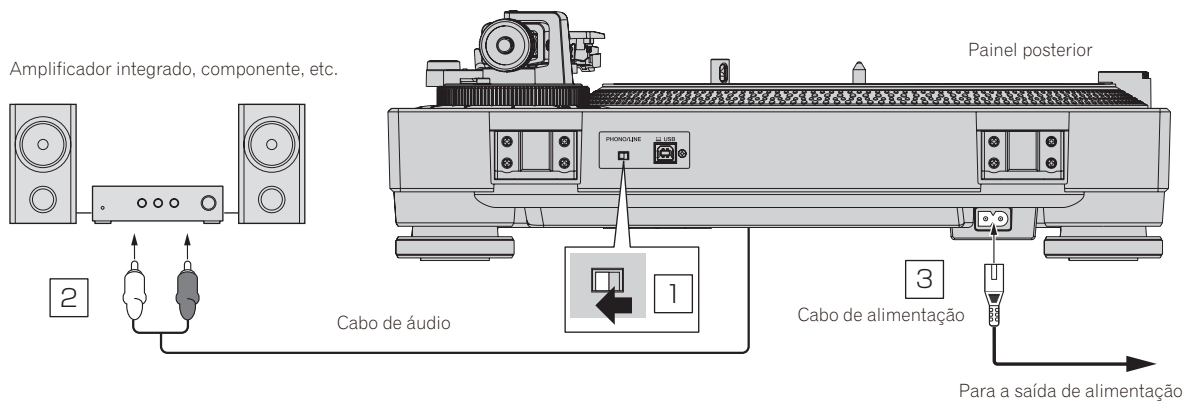
**2 Ligue o cabo de áudio ao terminal de entrada [LINE] dos altifalantes alimentados, etc.**

- Se necessário, utilize o cabo adaptador de áudio incluído.

**3 Ligue o cabo de alimentação.**

Liga a uma saída de alimentação utilizando o cabo de alimentação incluído. Aguarde até todas as ligações entre o equipamento estarem completas antes de ligar o cabo de alimentação.

## Ligar a um componente e a um amplificador integrado



**1 Coloque o interruptor [PHONO/LINE] na posição [PHONO].**

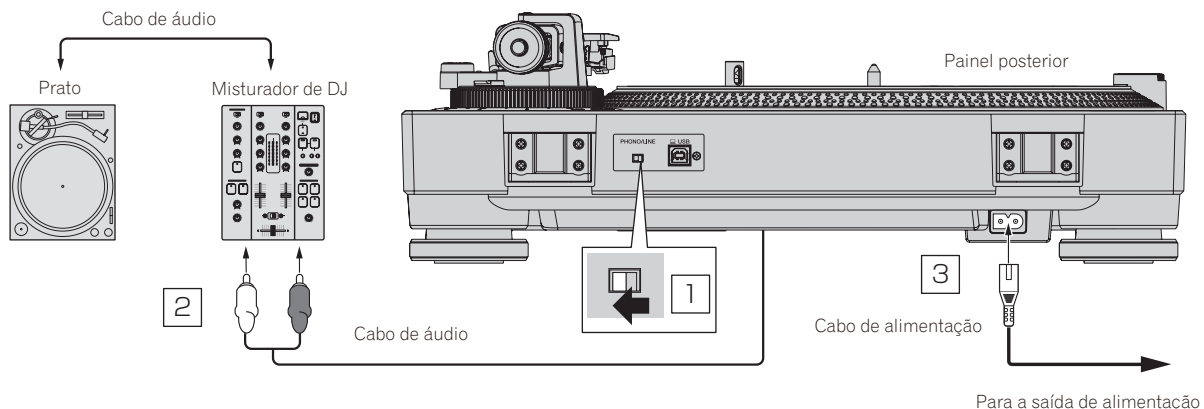
**2 Ligue o cabo de áudio ao terminal de entrada [PHONO] do amplificador integrado ou outro componente.**

- Se ligar este produto a um amplificador integrado ou componente que não tenha um terminal [PHONO], não conseguirá obter o volume e a qualidade de som necessários. Neste caso, coloque o interruptor [PHONO/LINE] desta unidade na posição [LINE] e, em seguida, ligue a unidade ao terminal de entrada [LINE] do amplificador integrado ou componente, ou utilize um equalizador fono.

**3 Ligue o cabo de alimentação.**

Liga a uma saída de alimentação utilizando o cabo de alimentação incluído. Aguarde até todas as ligações entre o equipamento estarem completas antes de ligar o cabo de alimentação.

## Ligar a uma mesa de mistura de DJ



**1 Coloque o interruptor [PHONO/LINE] na posição [PHONO].**

**2 Ligue o cabo de áudio ao terminal de entrada [PHONO] da mesa de mistura de DJ.**

- Se ligar este produto a uma mesa de mistura de DJ que não tenha um terminal de entrada [PHONO], não conseguirá obter o volume e a qualidade de som necessários. Neste caso, coloque o interruptor [PHONO/LINE] desta unidade na posição [LINE] e, em seguida, ligue a unidade ao terminal de entrada [LINE] da mesa de mistura de DJ.

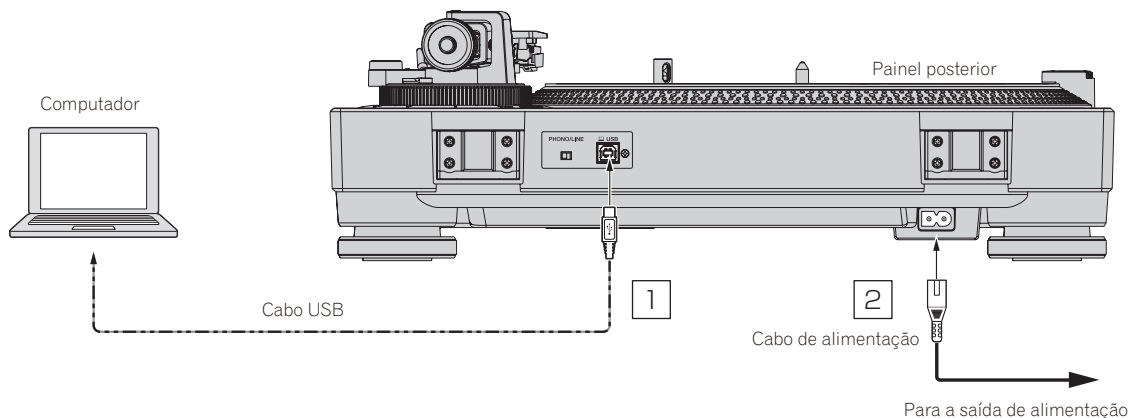
**3 Ligue o cabo de alimentação.**

Liga a uma saída de alimentação utilizando o cabo de alimentação incluído. Aguarde até todas as ligações entre o equipamento estarem completas antes de ligar o cabo de alimentação.

## Ligar a um computador

Esta unidade não requer software de controlo para USB.

➔ Gravação (pág. 15)



**1 Ligue o cabo USB a uma porta USB existente no computador.**

**2 Ligue o cabo de alimentação.**

Liga a uma saída de alimentação utilizando o cabo de alimentação incluído. Aguarde até todas as ligações entre o equipamento estarem completas antes de ligar o cabo de alimentação.

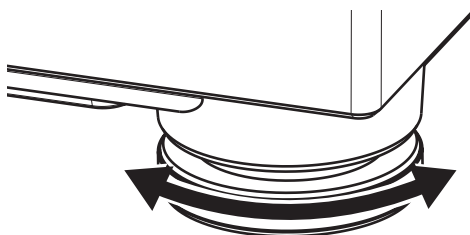
## Local de instalação

Coloque a unidade numa superfície nivelada que não esteja exposta a vibrações externas.

- Na medida do possível, afaste a unidade do sistema de colunas.
- Se a unidade estiver muito perto de um rádio (transmissão em AM/FM), o rádio pode gerar interferências. Afaste o rádio o mais possível da unidade.

## Regular a altura da unidade principal

Regule a altura rodando o isolador de maneira a que a unidade fique na horizontal.



# Funcionamento

## Ligar a alimentação

**1 Efetue todas as ligações e, em seguida, ligue o cabo de alimentação a uma tomada.**

➔ *Ligações* (pág.12)

**2 Coloque o interruptor [POWER] no lado [ON] para ligar a unidade.**

Os indicadores da unidade acendem-se e a alimentação é ligada.

## Desligar a alimentação

**Coloque o interruptor [POWER] no lado [OFF] para desligar a unidade.**

Desliga a alimentação da unidade.

## Reprodução

Faça o seguinte.

- Coloque um disco no prato.
- Retire a tampa da agulha e o gancho do braço.

**1 Coloque o interruptor [POWER] no lado [ON] para ligar a unidade.**

**2 Selecione a velocidade de rotação de acordo com o disco a ser reproduzido premindo o botão de mudança de velocidade.**

**3 Prima o botão [START/STOP].**

O prato roda.

**4 Levante a alavanca do elevador e coloque o braço de leitura sobre o disco.**

**5 Empurre para baixo a alavanca do elevador.**

O braço de leitura desce e a reprodução começa.

## Interromper a reprodução

**Puxe a alavanca do elevador para cima.**

A agulha da célula levanta e sai de cima do disco.

- Para retomar a reprodução, empurre a alavanca do elevador para baixo.

## Terminar a reprodução

**1 Puxe a alavanca do elevador para cima para voltar a colocar o braço de leitura no descanso e depois empurre a alavanca para baixo.**

**2 Prima o botão [START/STOP].**

O prato para suavemente.

**3 Coloque o interruptor [POWER] no lado [OFF] para desligar a unidade.**

Utilize o gancho do braço para prender o braço de leitura.

Para proteger a ponta da agulha, coloque a tampa respetiva.

Feche a tampa antipó.

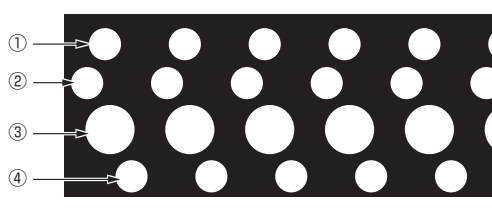
## Regular o pitch

**Mova o deslizador [TEMPO] para a frente ou para trás.**

Se mover o cursor para a frente aumenta a velocidade de rotação e se o mover para trás diminui a velocidade de rotação.

- Quando o deslizador [TEMPO] se encontra no centro, o indicador acende com uma luz verde-amarelada e a velocidade de rotação muda para as rpm especificadas (33 1/3 rpm, 45 rpm ou 78 rpm).
- A escala do cursor de [TEMPO] é um valor aproximado. Utilize-a como guia.
- Pode confirmar se a velocidade de rotação mudou para as rpm especificadas olhando para as quatro linhas dos padrões estroboscópicos inscritos à volta do prato.

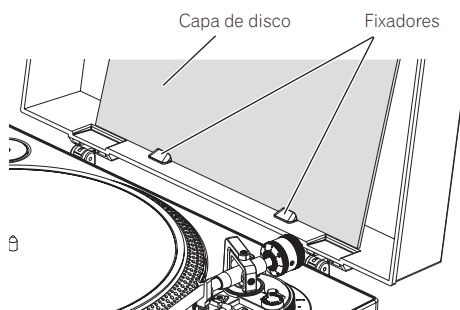
## Padrão estroboscópico



- ① Quando o padrão estroboscópico parece parado, 33 1/3 rpm (alimentação a 50 Hz)
  - ② Quando o padrão estroboscópico parece parado, 45 rpm (alimentação a 50 Hz)
  - ③ Quando o padrão estroboscópico parece parado, 33 1/3 rpm (alimentação a 60 Hz)
  - ④ Quando o padrão estroboscópico parece parado, 45 rpm (alimentação a 60 Hz)
- É utilizado um iluminador estroboscópico (luz de LED vermelha) para iluminar o padrão estroboscópico desta unidade. Quando pretender verificar o pitch, utilize sempre o iluminador estroboscópico.

## Exibir uma capa de disco

Coloque a capa de disco atrás dos fixadores existentes na tampa antipó conforme apresentado na figura.



- Não coloque mais nada além de uma capa de disco.
- Coloque a capa de disco atrás dos fixadores de forma segura e correta.
- Quando utilizar esta funcionalidade durante a reprodução, tenha cuidado para que a capa de disco não caia. O disco ou a agulha podem ficar danificados.
- Tenha cuidado para não fechar a tampa antipó enquanto estiver colocada uma capa de disco.

## Para ouvir um disco EP standard

Instale o adaptador de disco EP no eixo central e prima o botão [45].

## Iluminar a ponta da agulha

Se premir o interruptor do iluminador da agulha, este acende-se com uma luz branca e sobe para a posição em que a ponta da agulha fica iluminada.

- Se não for necessário, prima o interruptor do iluminador da agulha para o baixo. O interruptor do iluminador desliga-se.
- Não olhe diretamente para a luz enquanto o iluminador da agulha estiver aceso.

## Gravação

É possível gravar digitalmente discos analógicos efetuando uma ligação com um computador que tenha o software de gestão de música "rekordbox" instalado.

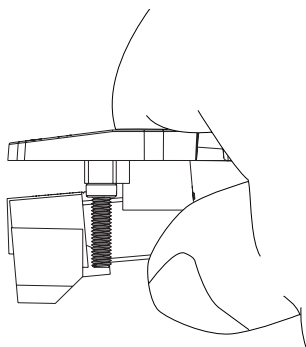
Para obter mais informações, aceda ao site de produtos do rekordbox indicado em seguida e consulte as instruções de funcionamento do rekordbox em [Support].

<https://rekordbox.com/en/store/>

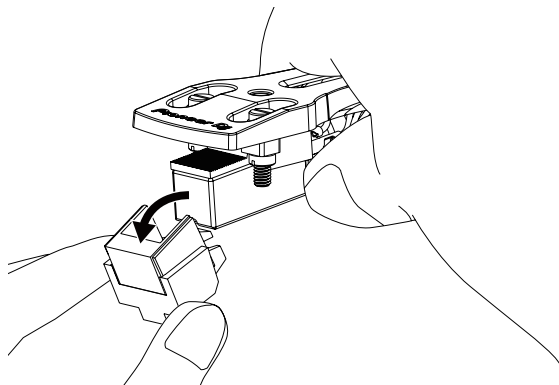
## Substituir a agulha

Certifique-se de que a alimentação não está ligada antes de efetuar o procedimento seguinte.

### 1 Segure na célula com uma mão.



### 2 Retire a célula na direção da seta enquanto segura na parte do suporte da agulha com a outra mão.



## Mudar a célula

Esta unidade não é compatível com cartuchos MC. Utilize um cartucho VM ou um cartucho MM.

## Retirar a célula

- 1 Retire os parafusos, as porcas e as anilhas da cabeça.
- 2 Desligue os fios condutores da célula.

## Montar a célula

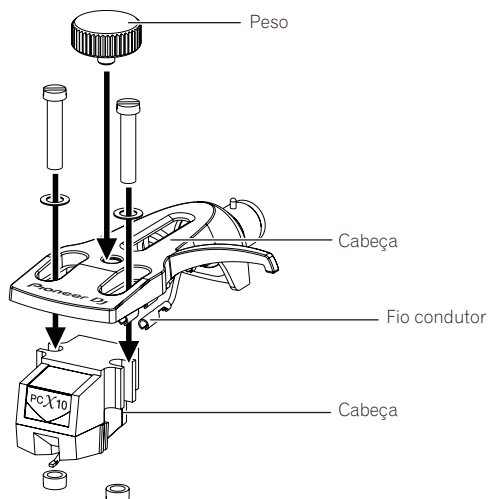
### 1 Ligue a célula tendo em atenção as cores dos fios condutores da cabeça e os símbolos dos terminais da célula.

Faça coincidir as cores dos fios condutores da cabeça e os símbolos dos terminais da célula da forma indicada em seguida.

Quando estiver a olhar de frente, o lado superior esquerdo é L+: branco, o lado inferior esquerdo é L-: azul, o lado superior direito é R+: vermelho, e o lado inferior direito é R-: verde.

- Ligue os fios condutores de forma segura utilizando um alicate ou uma ferramenta semelhante.

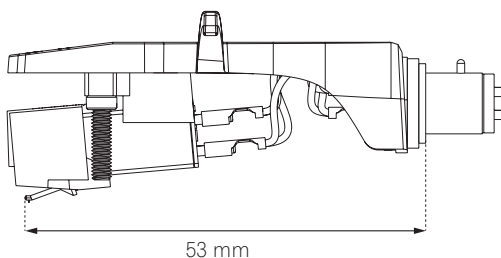
### 2 Monte a célula na cabeça utilizando os parafusos, as porcas e as anilhas fornecidos com a célula.



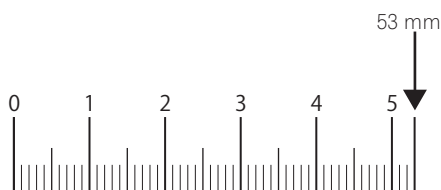
- Quando estiver a montar a célula na cabeça, faça-o corretamente.
- Se utilizar uma célula com 5 g ou menos, utilize o peso indicado.

## Ajustar a parte saliente

Utilize a escala de ajustamento da parte saliente mostrada abaixo para regular a posição utilizando o parafuso de fixação da célula de maneira a que a ponta da agulha fique posicionada a 53 mm de distância da parte de fixação do braço de leitura.



### Escala de ajustamento da parte saliente



# Informações adicionais

## Resolução de problemas

- Geralmente confunde-se uma operação incorreta com um problema ou mau funcionamento. Caso ache que existe algo de errado com este componente, consulte os pontos abaixo e as [FAQ] para o [PLX-500] no site de suporte da Pioneer DJ.  
<http://pioneerdj.com/support/>  
Às vezes o problema pode dever-se a outro componente. Inspeção os outros componentes e os aparelhos elétricos que estão a ser utilizados. Se não for possível resolver o problema, contacte o centro de assistência ou o fornecedor mais próximo para a realização do serviço de reparação.
- Esta unidade pode não funcionar corretamente devido a eletricidade estática ou outras influências externas. Neste caso, o funcionamento normal é reposto desligando a alimentação, aguardando 1 minuto e, em seguida, ligando novamente a alimentação.

Problema	Verificar	Solução
A alimentação não está ligada.	O cabo de alimentação está ligado corretamente?	Ligue corretamente o cabo de alimentação incluído a uma saída de alimentação.
	O interruptor [POWER] de alimentação de corrente está na posição [ON]?	Coloque o interruptor [POWER] de alimentação de corrente na posição [ON].
Sem som ou som reduzido.	Os cabos de áudio estão ligados corretamente?	Ligue os cabos de áudio corretamente.
	Os terminais e fichas estão sujos?	Limpe os terminais e fichas antes de efetuar ligações.
	A cabeça está bem montada?	Monte a cabeça corretamente.
O som esquerdo e direito estão trocados.	As ligações esquerda e direita de cada equipamento estão trocadas?	Ligue corretamente o cabo de áudio e os fios condutores da parte da cabeça.
Ouve-se um som sibilante baixo (um zumbido ou som vibrante) durante a reprodução.	Existe algum aparelho elétrico, como um candeeiro com luz fluorescente ou o cabo de alimentação respetivo perto do cabo de ligação?	Coloque o cabo de alimentação do candeeiro com luz fluorescente ou do outro dispositivo o mais afastado possível.
A ponta da agulha não desce sobre o disco.	A pressão da agulha está regulada corretamente?	Acerte o contrapeso com o valor da pressão da agulha adequado à célula.
	O braço está equilibrado horizontalmente?	Rode o contrapeso até o braço de leitura ficar na horizontal.
O agulha salta.	A pressão da agulha está regulada corretamente?	Acerte o contrapeso com o valor da pressão da agulha adequado à célula.
	O disco está empenado ou tem riscos?	Verifique as condições do disco.
	A ponta da agulha tem muito pó?	Retire a cabeça com a célula e utilize uma escova de ponta macia ou um pincel de escrita para limpar, com cuidado, o pó, etc. da ponta da agulha.
	O anti-skating está corretamente regulado?	Regule o anti-skating corretamente.
	A altura do braço está regulada corretamente?	Regule a altura do braço corretamente.
O braço para a meio e não continua.	O disco tem riscos?	Verifique as condições do disco.
	O braço está em contacto com alguma coisa?	Inspeção a zona à volta do braço. Se houver um obstáculo retire-o.
O volume do som está muito baixo ou muito alto (distorcido).	A ligação ao amplificador é adequada ao tipo de célula (saída)?	Ligue corretamente os cabos de ligação.
	O interruptor [PHONO/LINE] está na posição correta?	Coloque o interruptor [PHONO/LINE] na posição correta de acordo com o terminal de entrada do dispositivo ligado.
O prato que está em rotação treme muito.	Aderiu lixo ou algo semelhante às partes de fixação do prato e do eixo central.	Retire o lixo.

## Cuidados no uso

### Condensação

Poderá haver formação de gotículas de água (condensação) internamente (nas peças operacionais e lente) durante o inverno, por exemplo, se a unidade for levada rapidamente de uma lugar frio para uma sala aquecida ou se a temperatura ambiente da sala onde o aparelho se encontra subir rapidamente (através de aquecimento, etc.). A unidade não irá funcionar corretamente e não poderá ser reproduzida com condensação no interior. Deixe a unidade repousar durante 1 a 2 horas à temperatura ambiente (este tempo depende das condições da condensação) sem ligar a alimentação. As gotículas de água irão evaporar-se e será possível usar a função de reprodução da unidade. A condensação pode ocorrer no verão, assim como se a unidade for exposta a vento direto proveniente de um aparelho de ar condicionado, etc. Se isso acontecer, desloque a unidade para uma localização diferente.

### Se transportar a unidade para outro local

Embale a unidade nos materiais de embalagem originais.

Se os materiais de embalagem originais não estiverem disponíveis, faça o indicado a seguir.

- Retire o tapete anti estático e o prato antes de embalar.
- Desmonte a cabeça e o contrapeso do braço e embale-os cuidadosamente.
- Prenda o braço de leitura com o gancho respetivo e use fita autocollante para o prender de maneira a que não se mova.
- Embrulhe a unidade principal num cobertor ou papel macio para impedir que fique danificada.
- Embale de forma a que o braço de leitura não fique sujeito a forças.

### Manutenção de cada peça

Quando montar e desmontar a cabeça, desligue o amplificador.

Se tentar fazê-lo com o volume alto, pode danificar as colunas.

- Retire a cabeça com a célula e utilize uma escova de ponta macia ou um pincel de escrita para limpar, com cuidado, o pó, etc. da ponta da agulha.
- Limpe os discos com um produto de limpeza de discos de boa qualidade.
- Utilize um pano macio ou uma coisa semelhante para limpar o terminal da cabeça e depois volte a montá-la no braço de leitura.

---

## Limpar a tampa antipó, etc.

Utilize um pano macio para limpar a tampa antipó e a caixa

- Não limpe a tampa antipó durante a reprodução. A eletricidade estática pode fazer com que o braço de leitura seja empurrado pela tampa antipó.

---

---

## Acerca de marcas comerciais e marcas comerciais registadas

- "Pioneer DJ" é uma marca comercial da PIONEER CORPORATION e é utilizada sob licença.
- rekordbox é uma marca comercial ou uma marca comercial registada da Pioneer DJ Corporation.

Os nomes de empresas e produtos aqui mencionados são marcas comerciais ou marcas comerciais registadas dos seus respetivos proprietários.

---

---

## Especificações

Requisitos de energia ..... AC 110 V a 120 V ou 220 V a 240 V, 50 Hz/60 Hz  
Consumo de energia ..... 11 W  
Peso da unidade principal ..... 10,7 kg  
Dimensões máximas externas  
..... 450 mm (L) × 158,5 mm (A) × 367,5 mm (P)  
Temperatura operacional tolerada ..... +5 °C a +35 °C  
Humidade operacional tolerada ..... 5 % a 85 % (sem condensação)

### Parte do prato

Método de transmissão ..... Transmissão direta tipo servo  
Motor ..... Motor DC 3 fases de comutação eletrónica  
Sistema de travagem ..... Travão eletrónico  
Velocidade de rotação ..... 33 1/3 rpm, 45 rpm, 78 rpm  
Intervalo de regulação da velocidade de rotação ..... ±8 %  
Distorção e vibração ..... 0,15 % WRMS ou inferior  
Relação sinal/ruído ..... 50 dB ou superior  
Prato ..... Alumínio fundido Diâmetro: 332 mm  
Binário inicial ..... 1,6 kg·cm ou mais  
Tempo de arranque ..... 1 segundo ou menos (a 33 1/3 rpm)

### Parte do braço de leitura

Tipo de braço...Braço de leitura em forma de S de tipo universal, estrutura de apoio de tipo suportada por cardã, tipo balanço estático  
Comprimento efetivo ..... 230,5 mm  
Parte saliente ..... 16 mm  
Erro de tracking ..... Cerca de 3°  
Intervalo de regulação da altura do braço ..... 6 mm  
Intervalo variável de pressão da agulha ..... 0 g a 4,0 g (1 escala de 0,1 g)  
Peso adequado da célula ..... 9,5 g ou menos (uma célula)  
Tipo de cartucho ..... VM

### Tensão de saída

**PHONO** ..... 2,5 mV/1 kHz  
**LINE** ..... 150 mV/1 kHz

— As especificações e design deste produto estão sujeitos a alterações sem aviso prévio.

- © 2016 Pioneer DJ Corporation. Todos os direitos reservados.



Если вы желаете утилизировать данное изделие, не выбрасывайте его вместе с обычным бытовым мусором. Существует отдельная система сбора использованных электронных изделий в соответствии с законодательством, которая предполагает соответствующее обращение, возврат и переработку.

Частные клиенты в странах-членах ЕС, в Швейцарии и Норвегии могут бесплатно возвращать использованные электронные изделия в соответствующие пункты сбора или дилеру (при покупке сходного нового изделия).

В странах, не перечисленных выше, для получения информации о правильных способах утилизации обращайтесь в соответствующие учреждения.

Поступая таким образом, вы можете быть уверены в том, что утилизируемый продукт будет соответствующим образом обработан, передан в соответствующий пункт и переработан без возможных негативных последствий для окружающей среды и здоровья людей.

K058b\_A1\_Ru

## ВНИМАНИЕ

ВО ИЗБЕЖАНИЕ ПОРАЖЕНИЯ ЭЛЕКТРИЧЕСКИМ ТОКОМ НЕ СНИМАЙТЕ КРЫШКУ (ИЛИ ЗАДНЮЮ СТЕНКУ). ВНУТРИ НЕ СОДЕРЖАТСЯ ДЕАТЛИ, ПРЕДНАЗНАЧЕННЫЕ ДЛЯ РЕМОНТА ПОЛЬЗОВАТЕЛЕМ. ДЛЯ ОБСЛУЖИВАНИЯ ОБРАТИТЕСЬ К КВАЛИФИЦИРОВАННОМУ СОТРУДНИКУ СЕРВИСНОЙ СЛУЖБЫ.

D3-4-2-1-1\_B1\_Ru

## ПРЕДУПРЕЖДЕНИЕ

Данное оборудование не является водонепроницаемым. Во избежание пожара или поражения электрическим током не помещайте рядом с оборудованием емкости с жидкостями (например, вазы, цветочные горшки) и не допускайте попадания на него капель, брызг, дождя или влаги.

D3-4-2-1-3\_A1\_Ru

## ПРЕДУПРЕЖДЕНИЕ

Во избежание пожара не приближайте к оборудованию источники открытого огня (например, зажженные свечи).

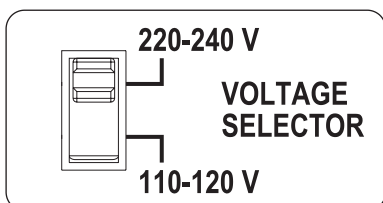
D3-4-2-1-7a\_A1\_Ru

## Переключатель напряжения

Переключатель напряжения находится на верхней панели у моделей с возможностью переключения напряжения.

**На заводе-изготовителе переключатель напряжения установлен в положение 220-240 В. Выберите правильное напряжение для вашей страны или региона.**

Перед тем, как выбрать другое напряжение, отсоедините силовую кабель. С помощью отвертки среднего размера переведите переключатель напряжения в нужное положение.



D3-4-2-1-5\*\_A2\_Ru

## ОБЯЗАТЕЛЬНАЯ ВЕНТИЛЯЦИЯ

При установке устройства обеспечьте достаточное пространство для вентиляции во избежание повышения температуры внутри устройства (не менее 15 см сверху, 5 см сзади и по 5 см слева и справа).

## ПРЕДУПРЕЖДЕНИЕ

В корпусе устройства имеются щели и отверстия для вентиляции, обеспечивающие надежную работу изделия и защищающие его от перегрева. Во избежание пожара эти отверстия ни в коем случае не следует закрывать или заслонять другими предметами (газетами, скатертями и шторами) или устанавливать оборудование на толстом ковре или постели.

D3-4-2-1-7b\*\_A1\_Ru

Данное изделие предназначено для использования в общих хозяйственных целях. В случае возникновения любой неисправности, связанной с использованием в других, нежели хозяйственных целях (таких, как длительное использование в коммерческих целях в ресторане или в автомобиле, или на корабле) и требующей ремонта, такой ремонт осуществляется за плату, даже в течение гарантийного срока.

K041\_A1\_Ru

## Условия эксплуатации

Изделие эксплуатируется при следующих температуре и влажности:  
+5 °C до +35 °C; влажность менее 85 % (не заслоняйте охлаждающие вентиляторы)

Не устанавливайте изделие в плохо проветриваемом помещении или в месте с высокой влажностью, открытом для прямого солнечного света (или сильного искусственного света).

D3-4-2-1-7c\*\_A1\_Ru



## МЕРЫ ПРЕДОСТОРОЖНОСТИ ПРИ ОБРАЩЕНИИ С СЕТЕВЫМ ШНУРОМ

Держите сетевой шнур за вилку. Не вытаскивайте вилку, взявшись за шнур, и никогда не касайтесь сетевого шнура, если Ваши руки влажные, так как это может привести к короткому замыканию или поражению электрическим током. Не ставьте аппарат, предметы мебели и т.д. на сетевой шнур, не зажимайте его. Не завязывайте узлов на шнуре и не связывайте его с другими шнурами. Сетевые шнуры должны лежать так, чтобы на них нельзя было наступить. Поврежденный сетевой шнур может стать причиной возникновения пожара или поразить Вас электрическим током. Время от времени проверяйте сетевой шнур. В случае обнаружения повреждения обратитесь за заменой в ближайший сервисный центр или к Вашему дилеру.

S002\*\_A1\_Ru

### **ВНИМАНИЕ**

Выключатель **POWER** данного устройства не полностью отключает его от электросети. Чтобы полностью отключить питание устройства, вытащите вилку кабеля питания из электророзетки. Поэтому устройство следует устанавливать так, чтобы вилку кабеля питания можно было легко вытащить из розетки в чрезвычайных обстоятельствах. Во избежание пожара следует извлекать вилку кабеля питания из розетки, если устройство не будет использоваться в течение долгого времени (например, если вы уезжаете в отпуск).

D3-4-2-2-2a\*\_A1\_Ru

---

---

# Содержание

## Как следует читать данное руководство

- Благодарим Вас за покупку этого изделия компании Pioneer DJ. Обязательно прочтите данную брошюру. В ней содержится важная информация, которую необходимо изучить до использования данного изделия. По завершению изучения инструкций, храните их в надежном месте для справок в будущем.
- В данной брошюре названия кнопок и разъемов основного блока указываются в квадратных скобках ([ ]).  
Примеры:  
Нажмите кнопку [START/STOP].

## 01 До начала

Свойства .....	5
Комплект поставки .....	5

## 02 Перед началом работы

Установка rekordbox (Mac/Windows).....	6
Сборка .....	6

## 03 Названия деталей и функции

Верхняя панель .....	8
Задняя панель .....	9

## 04 Регулировка

Регулировка баланса тонарма .....	10
Регулировка прижимной силы иглы .....	10
Регулировка компенсации скатывающей силы .....	11
Регулировка высоты микролифта .....	11
Регулировка высоты тонарма .....	11

## 05 Подключения

Подключение к активным колонкам.....	12
Подключение к интегральному усилителю и другому компоненту .....	12
Подключение к DJ микшеру .....	13
Подключение с компьютером.....	13
Место установки .....	13
Регулировка высоты основного блока.....	13

## 06 Управление

Включение питания .....	14
Отключение питания .....	14
Воспроизведение .....	14
Приостановка воспроизведения .....	14
Завершение воспроизведения .....	14
Регулировка высоты тона .....	14
Как показать обложку пластинки.....	14
Воспроизведение стандартных долгоиграющих пластинок.....	15
Подсветка кончика иглы.....	15
Запись.....	15
Замена стилуса .....	15
Замена картриджа.....	15

## 07 Дополнительная информация

Возможные неисправности и способы их устранения .....	16
Предостережения по использованию .....	16
Техническое обслуживание каждого узла.....	17
О торговых марках и зарегистрированных торговых марках .....	17
Технические характеристики.....	17

---

---

# До начала

---

---

## Свойства

Данное устройство представляет собой виниловый проигрыватель с прямым приводом и большим крутящим моментом, который можно использовать как дома, так и на DJ-выступлениях.

---

## Высококачественный звук аналоговых записей

Мы добились минимального пути прохождения сигнала от острия иглы звукоснимателя до выхода **PHONO/LINE** для воспроизведения звука в оригинальном качестве аналоговой записи. Более того, поскольку поддерживается не только выход **PHONO**, но и выход **LINE**, вы легко можете наслаждаться высококачественным звуком аналоговых записей, просто напрямую подключив активные колонки.

---

## Простота цифровой записи

Разъем **USB-B** позволяет напрямую подключить это устройство к ПК или Mac и записывать звук из аналоговых источников на ПК или Mac, преобразуя его в данные. Для простой цифровой записи можно использовать функцию записи бесплатного программного обеспечения для управления музыкой “rekordbox” (версии 4.2.1 и выше).

---

## Поворотный столик с прямым приводом для DJ-выступлений

Благодаря системе прямого привода с высоким крутящим моментом вы легко можете микшировать дорожки, использовать функции скрэтча и другие DJ-эффекты, объединив два таких устройства с DJ-микшером.

---

## Пылезащитная крышка при этом может служить подставкой под конверт пластинки

Конверт пластинки можно установить на открытой пылезащитной крышке. Так вы сможете наслаждаться звуком аналоговых записей и одновременно видеть конверт.

---

## Комплект поставки

- Опорный диск
  - Слип-мат
  - Пылезащитная крышка
  - Адаптер для долгоиграющих пластинок
  - Противовес
  - Головка звукоснимателя (с картриджем)
  - Груз держателя
  - Силовой кабель
  - USB кабель
  - Звуковой кабель-адаптер (со стереорозетки на мини-стереовилку)
  - Гарантия (для некоторых регионов)<sup>1</sup>
  - Инструкции по эксплуатации (данный документ)
- <sup>1</sup> Прилагающаяся гарантия предназначена для Европейского региона.

## ПРЕДУПРЕЖДЕНИЕ

Храните небольшие детали вне доступа детей. При случайном заглатывании, немедленно обращайтесь к врачу.

D41-6-4\_A1\_Ru

# Перед началом работы

## Установка rekordbox (Mac/Windows)

### 1 Откройте сайт rekordbox.com.

<https://rekordbox.com/en/store/>

- Содержание страницы может изменяться без предварительного уведомления.

### 2 Выберите Краткое руководство и щелкните [Free To Download].



### 3 Внимательно прочитайте Лицензионное соглашение и установите флажок [принимаю], если вы согласны с его условиями.

Если установлен этот флажок, значок [Download] становится активным.

### 4 Нажмите [Download].

Начнется загрузка rekordbox (Mac/Windows).

### 5 Дважды щелкните по скачанному файлу, чтобы разархивировать его.

### 6 Дважды щелкните по разархивированному файлу, чтобы запустить программу установки.

### 7 Внимательно прочтите Лицензионное соглашение и, если вы согласны с ним, продолжите установку, следуя инструкциям на экране.

- Если вы не согласны с условиями Лицензионного соглашения, отмените установку.

### 8 Когда откроется окно с сообщением о завершении установки, закройте программу установки, следуя инструкциям на экране.

Установка завершена.

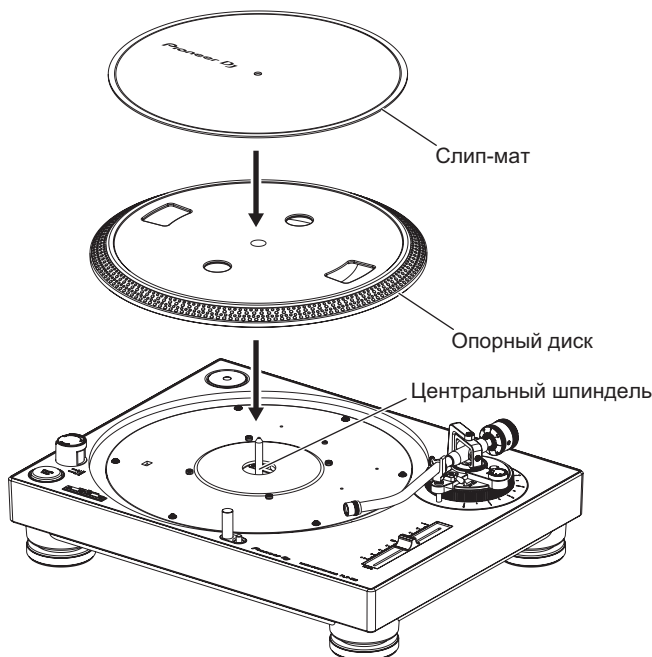
- Для использования rekordbox dj, rekordbox dvs и rekordbox video требуется активация (проверка подлинности лицензии). Подробнее см. в Инструкциях по эксплуатации rekordbox. <https://rekordbox.com/en/support/manual.php>

## Сборка

### 1 Установите поворотный столик и подложку.

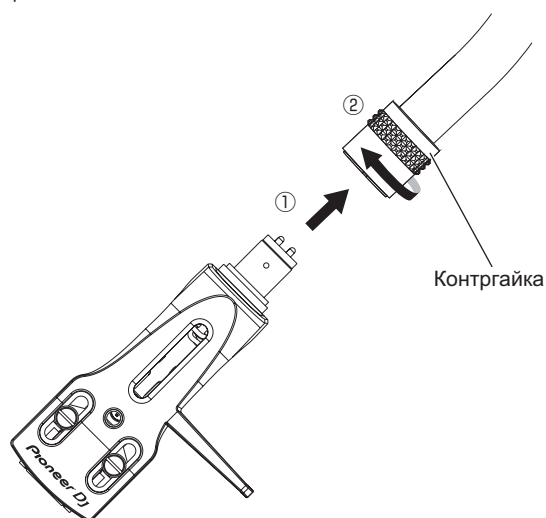
Установите поворотный столик на центральный шпindel и положите на него подложку.

- Будьте осторожны, не подвергайте опорный диск на основном блоке ударам и не роняйте его.

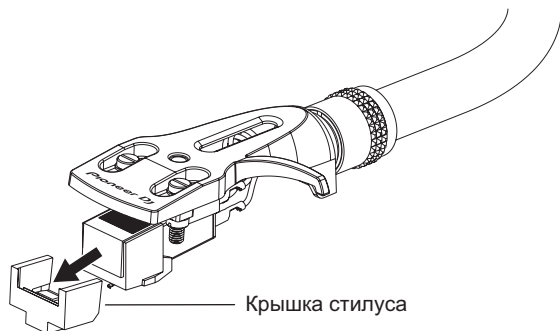


### 2 Установите держатель картриджа.

Вставьте держатель картриджа с установленным картриджем в тонарм. Затем затяните стопорную гайку, поддерживая держатель в горизонтальном положении.

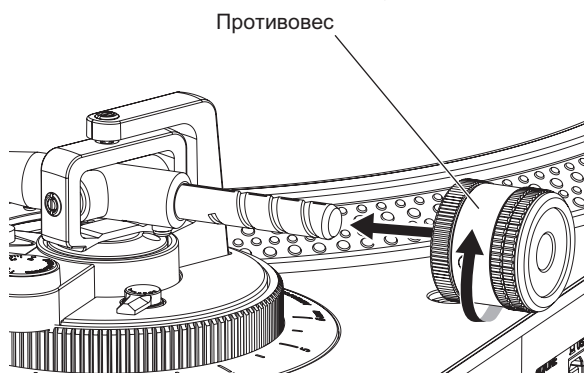


- Перед использованием снимите крышку стилуса, не касаясь кончика стилуса.



### 3 Установите противовес.

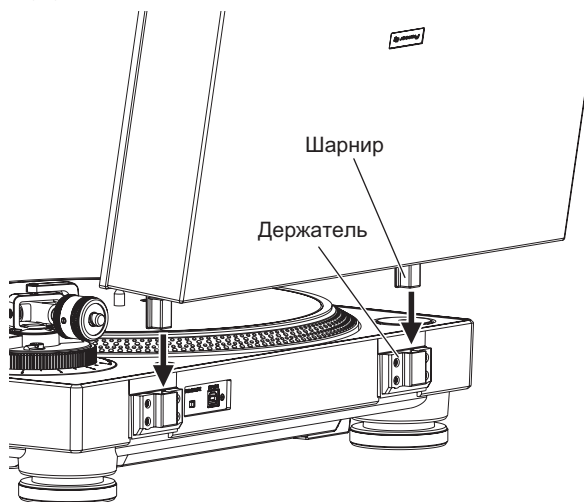
Установите противовес на заднюю часть трубки тонарма.



### Прикрепите пылезащитную крышку.

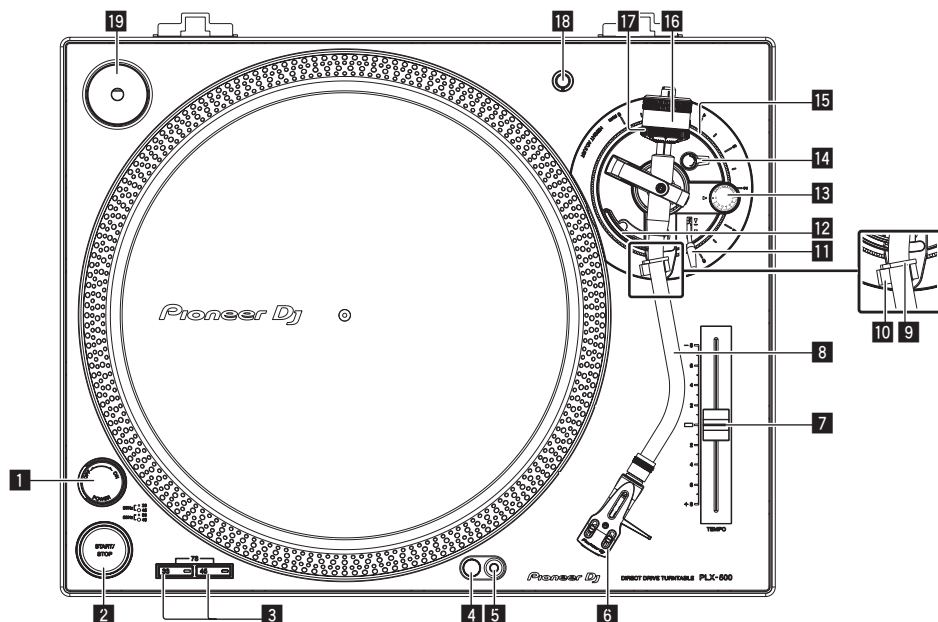
Вставьте шарниры пылезащитной крышки в держатели на задней панели этого устройства.

При снятии пылезащитной крышки потяните шарниры вверх наружу, чтобы крышка оказалась открытой.



# Названия деталей и функции

## Верхняя панель



### 1 Переключатель POWER

При повороте переключателя в сторону [ON] питание включается и загорается стробирующая подсветка на боковой панели.

- ↪ Включение питания (стр.14)
- ↪ Отключение питания (стр.14)

### 2 Кнопка START/STOP

Нажатие кнопки запускает или останавливает вращение опорного диска.

- ↪ Воспроизведение (стр.14)

### 3 Кнопка изменения скорости

Позволяет устанавливать скорость в соответствии с воспроизводимой пластинкой.

- Для пластинок со скоростью вращения 33 1/3 об/мин нажмите кнопку [33].
  - Для пластинок со скоростью вращения 45 об/мин нажмите кнопку [45].
  - Для 78 об/мин нажмите одновременно кнопки [33] и [45].
- ↪ Воспроизведение (стр.14)

### 4 Устройство подсветки иглы

Предназначено для подсветки кончика иглы.

- ↪ Подсветка кончика иглы (стр.15)

### 5 Переключатель подсветки иглы

Включает белую подсветку иглы и поднимает устройство подсветки в положение подсветки кончика иглы.

- ↪ Подсветка кончика иглы (стр.15)

### 6 Держатель картриджа

### 7 Ползунок TEMPO

Можно перемещать в одну или другую сторону для точной регулировки скорости вращения.

- ↪ Регулировка высоты тона (стр.14)

### 8 Тонарм

- ↪ Регулировка (стр.10)

### 9 Зажим тонарма

Служит для фиксации тонарма.

### 10 Упор тонарма

Служит опорой тонарма.

### 11 Рычаг микролифта

При подъеме рычага тонарм поднимается. При опускании рычага тонарм опускается.

### 12 Микролифт тонарма

Это устройство предназначено для перемещения тонарма вверх и вниз. Управление им осуществляется рычагом микролифта.

### 13 Ручка ANTI SKATING

При воспроизведении пластинки на кончик иглы действует сила, направленная к центру вращения. За счет установки с помощью этой ручки давления равного силе, воздействующей на иглу, влияние этой силы устраняется.

- ↪ Регулировка компенсации скатывающей силы (стр.11)

### 14 Фиксатор HEIGHT ADJUST

Фиксирует установленную высоту тонарма.

- ↪ Регулировка высоты тонарма (стр.11)

### 15 Ручка HEIGHT ADJUST

Используется для регулировки высоты тонарма.

- ↪ Регулировка высоты тонарма (стр.11)

### 16 Противовес

Используется для балансировки тонарма и регулировки прижимной силы иглы.

- ↪ Регулировка (стр.10)

### 17 Кольцо регулировки прижимной силы иглы

Используется для установки необходимой прижимной силы картриджа.

- ↪ Регулировка прижимной силы иглы (стр.10)

### 18 Стойка держателя картриджа

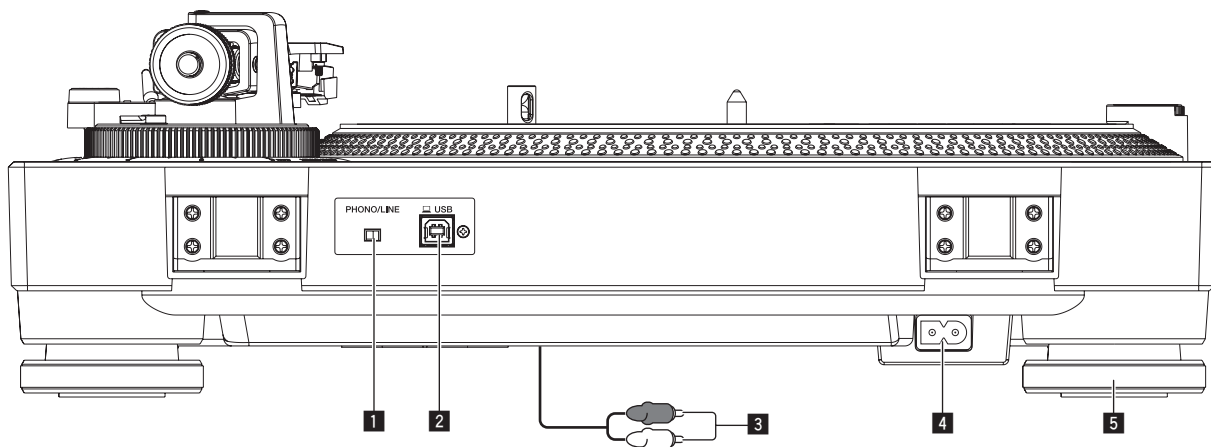
Используется для установки головки в вертикальном положении.

### 19 Адаптер для долгоиграющих пластинок

Используется для воспроизведения стандартных долгоиграющих пластинок.

- ↪ Воспроизведение стандартных долгоиграющих пластинок (стр.15)

## Задняя панель



### 1 Переключатель PHONO/LINE

Переключение уровня звучания, выводимого с устройства.

- **[PHONO]**: выберите при подключении к устройству, которое поддерживает вход с головки звукоснимателя проигрывателя грампластинок, такому как интегральный усилитель или другой компонент.
- **[LINE]**: выберите при подключении к устройству, которое поддерживает линейный вход, такому как активные колонки.



### ПРЕДОСТЕРЕЖЕНИЕ

Не подключайте к устройству, которое поддерживает вход с головки звукоснимателя проигрывателя грампластинок, если переключатель **PHONO/LINE** находится в положении **[LINE]**.

### 2 Разъем USB

Подключите сюда кабель USB (входит в комплект поставки).

- ⇒ Подключения с компьютером (стр.13)

### 3 Аудиокабель

- ⇒ Подключения (стр.12)

### 4 AC IN

Подключается к розетке через поставляемый силовой кабель.

Подключайте силовой кабель только после завершения всех подключений между оборудованием.

- Используйте только поставляемый силовой кабель.

### 5 Демпфер

Подавляет влияние внешних вибраций. За счет поворота демпфера можно регулировать высоту проигрывателя.

- ⇒ Регулировка высоты основного блока (стр.13)

# Регулировка

## Регулировка баланса тонарма

Поскольку в зависимости от изделия массы картриджа и держателя картриджа отличаются, предусмотрена регулировка баланса тонарма.

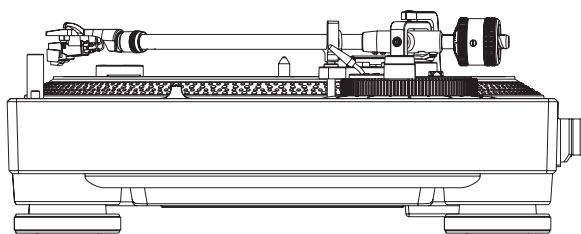
Выполните следующие подготовительные операции:

- Снимите защитный колпачок иглы и зажим тонарма, не прикасаясь к кончику иглы.
- Опустите рычаг микролифта.
- Установите регулятор [ANTI SKATING] на "0".

**Снимите тонарм с упора и отрегулируйте баланс таким образом, чтобы тонарм располагался горизонтально.**

Вращайте противовес, пока тонарм не примет почти горизонтальное положение.

- При перемещении тонарма обращайте внимание на то, чтобы кончик иглы не касался непосредственно опорного диска и других узлов.



## Регулировка прижимной силы иглы

Для предотвращения перескоков иглы и искажения звука необходимо соответствующим образом отрегулировать прижимную силу иглы для каждого картриджа.

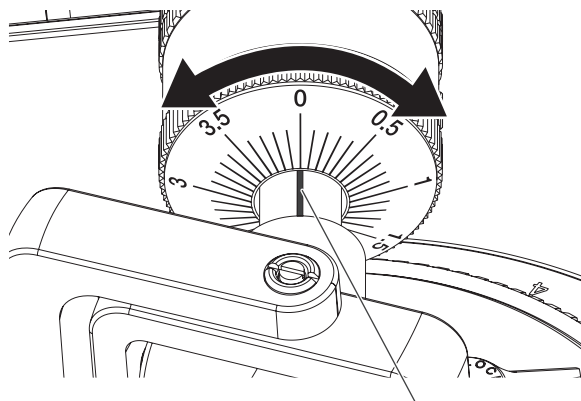
Соответствующая сила нажатия стилуса для картриджа из комплекта: от 3,0 до 4,0 g.

Выполните следующие подготовительные операции:

- Верните тонарм на упор и закрепите зажимом тонарма.

**1 Совместите метку "0" на кольце регулировки прижимной силы иглы с осевой линией на задней части трубки тонарма.**

Удерживая противовес пальцем для предотвращения его перемещения, поверните только кольцо регулировки прижимной силы иглы так, чтобы метка числа "0" совпала с черной осевой линией на задней части трубки тонарма.

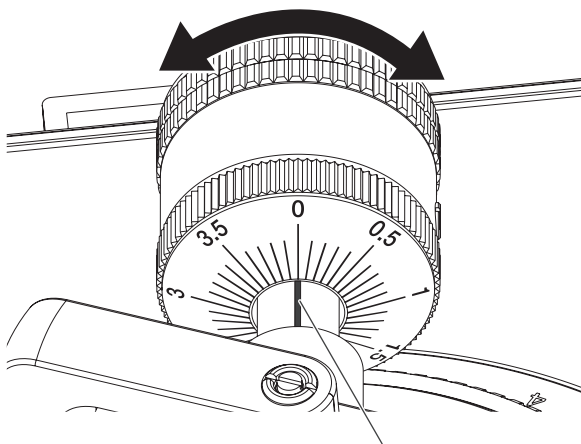


Центральная шкала

**2 Отрегулируйте прижимную силу иглы.**

Поверните противовес, чтобы установить прижимную силу иглы, соответствующую используемому картриджу.

- При вращении противовеса вращается и кольцо регулировки прижимной силы. Следя за кольцом регулировки, установите необходимую прижимную силу иглы.



Центральная шкала

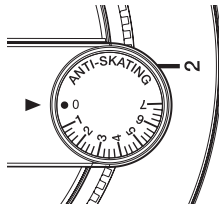


## Регулировка компенсации скатывающей силы

Эта регулировка выполняется для предотвращения перескока иглы.

Установите то же значение на шкале, что и для прижимной силы иглы.

Поверните ручку [ANTI SKATING] таким образом, чтобы метка значения, установленного для прижимной силы иглы картриджа, совпала с базовой линией.



## При воспроизведении со скрэтчем

Для предотвращения перескоков иглы отрегулируйте положение шкалы в соответствии с типом воспроизведения.

## Регулировка высоты микролифта

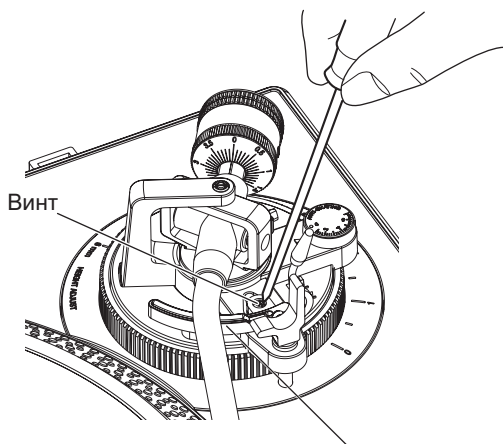
При использовании картриджа не из комплекта поставки отрегулируйте ее в соответствии с используемым картриджем.

Выполните следующие подготовительные операции:

- Пластинка устанавливается на подложку.
- Снимите защитный колпачок иглы и зажим тонарма, не прикасаясь к кончику иглы.
- Поднимите рычаг микролифта и установите тонарм на пластинку.

Отрегулируйте высоту, поворачивая винт при опущенном микролифте.

- При вращении по часовой стрелке расстояние между пластинкой и иглой уменьшается.
- При вращении против часовой стрелки расстояние между пластинкой и иглой увеличивается.
- Высота микролифта тонарма (расстояние между пластинкой и иглой, когда рычаг микролифта поднят вверх) устанавливается на заводе-изготовителе в диапазоне примерно от 8 мм до 13 мм.

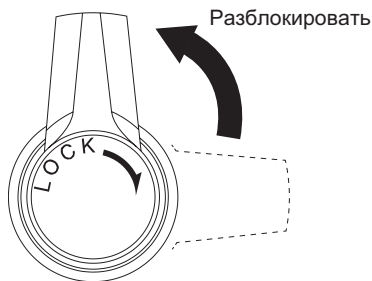


Микролифт тонарма

## Регулировка высоты тонарма

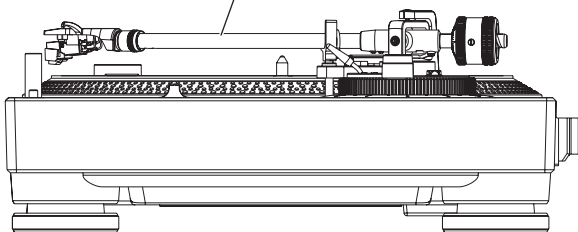
При использовании картриджа из комплекта поставки используйте положение «0». При использовании картриджа не из комплекта поставки отрегулируйте ее в соответствии с используемым картриджем.

1 Поверните фиксатор [HEIGHT ADJUST], чтобы его разблокировать.

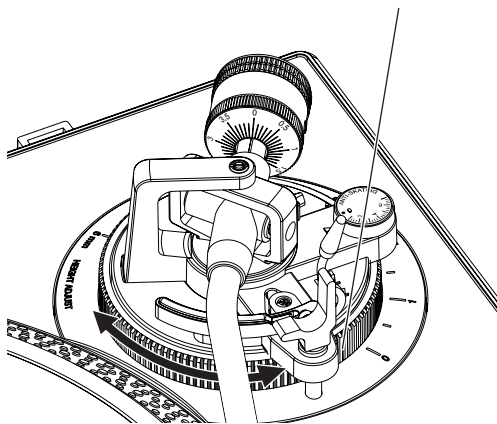


2 Опустите рычаг микролифта и установите иглу на пластинку, а затем с помощью ручки [HEIGHT ADJUST] добейтесь параллельности тонарма и пластинки.

Отрегулируйте так, чтобы рычаг тона принял горизонтальное положение



Положение ручки [HEIGHT ADJUST]



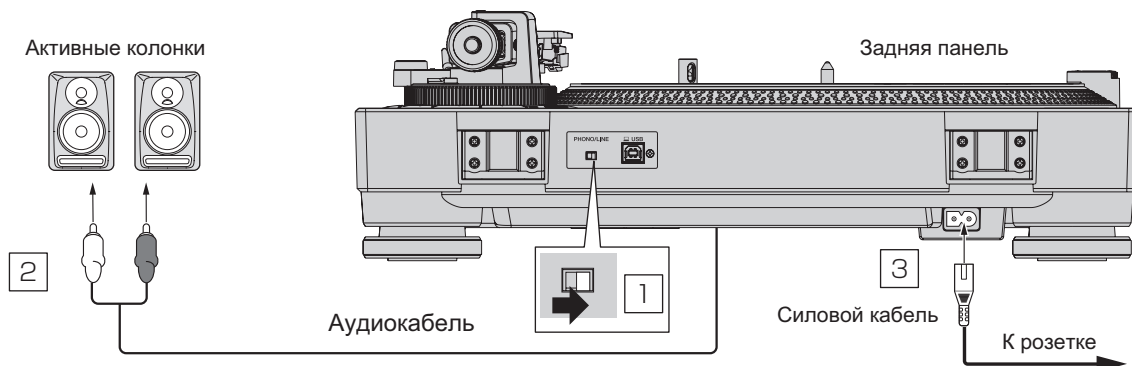
3 Поверните фиксатор [HEIGHT ADJUST], чтобы зафиксировать высоту тонарма.

После регулировки высоты тонарма обязательно поверните фиксатор [HEIGHT ADJUST], чтобы зафиксировать тонарм.

# Подключения

- При выполнении или изменении подключений, обязательно отключите питание и отсоедините силовой кабель от розетки.
- Смотрите инструкции по эксплуатации к подключаемому компоненту.
- После завершения всех подключений между устройствами подключите силовой кабель.

## Подключение к активным колонкам



**1 Установите переключатель [PHONO/LINE] в положение [LINE].**

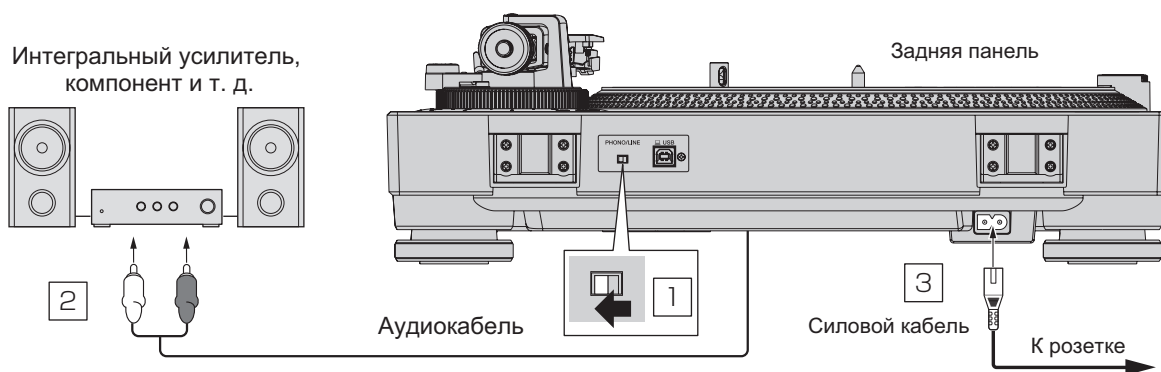
**2 Подключите аудиокабель к входному разъему [LINE] активных колонок.**

- При необходимости используйте прилагаемый кабель-адаптер.

**3 Подключите силовой кабель.**

Подключается к розетке через поставляемый силовой кабель. Подключайте силовой кабель только после завершения всех подключений между оборудованием.

## Подключение к интегральному усилителю и другому компоненту



**1 Установите переключатель [PHONO/LINE] в положение [PHONO].**

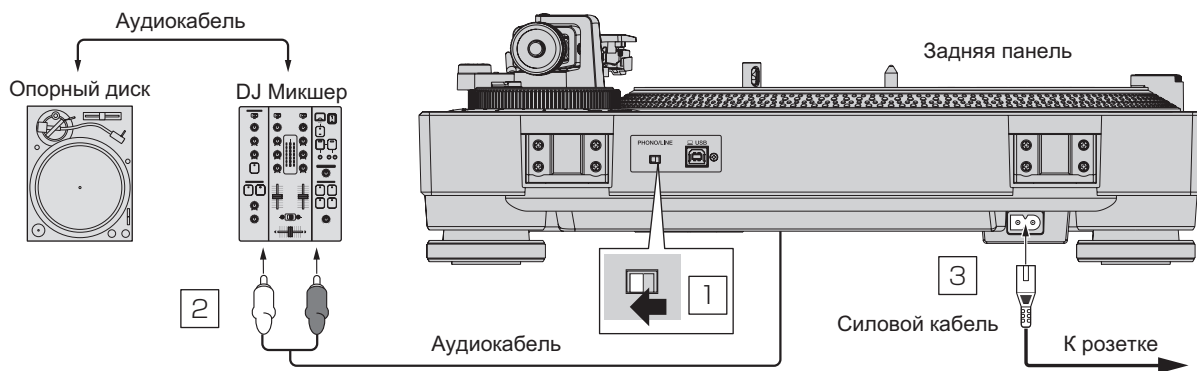
**2 Подключите аудиокабель к входному разъему [PHONO] интегрального усилителя или другого компонента.**

- Если данное изделие подключено к интегральному усилителю или другому компоненту без разъема [PHONO], получение звучания достаточного уровня и качества будет невозможно. В этом случае переведите переключатель [PHONO/LINE] на этом устройстве в положение [LINE], а затем подключите устройство к входному разъему [LINE] интегрального усилителя или другого компонента либо воспользуйтесь фонографическим эквалайзером.

**3 Подключите силовой кабель.**

Подключается к розетке через поставляемый силовой кабель. Подключайте силовой кабель только после завершения всех подключений между оборудованием.

## Подключение к DJ микшеру



**1 Установите переключатель [PHONO/LINE] в положение [PHONO].**

**2 Подключите аудиокабель к входному разъему [PHONO] на DJ-микшере.**

- Если данное изделие подключено к DJ-микшеру без разъема [PHONO], получение звучания достаточного уровня и качества будет невозможно. В этом случае переведите переключатель [PHONO/LINE] на этом устройстве в положение [LINE], а затем подключите устройство к входному разъему [LINE] DJ-микшера.

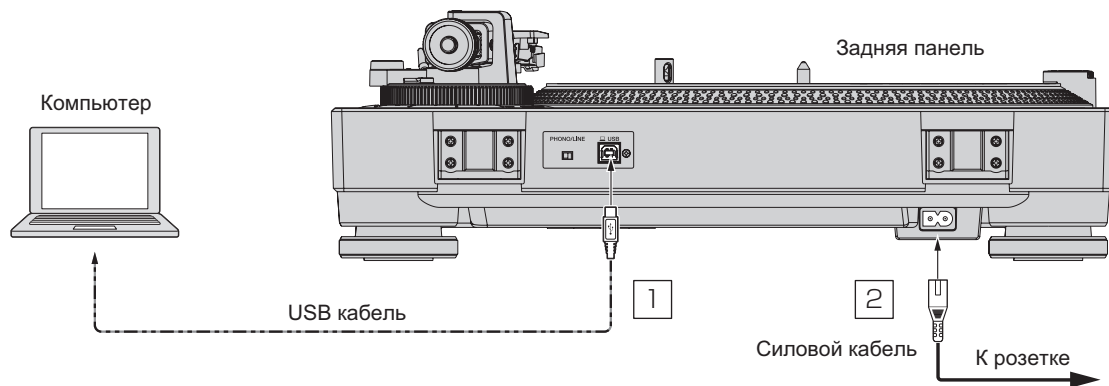
**3 Подключите силовой кабель.**

Подключается к розетке через поставляемый силовой кабель. Подключайте силовой кабель только после завершения всех подключений между оборудованием.

## Подключение с компьютером

Для данного устройства не требуется программный драйвер USB.

⇒ *Запись* (стр.15)



**1 Подключите USB-кабель к порту USB на компьютере.**

**2 Подключите силовой кабель.**

Подключается к розетке через поставляемый силовой кабель. Подключайте силовой кабель только после завершения всех подключений между оборудованием.

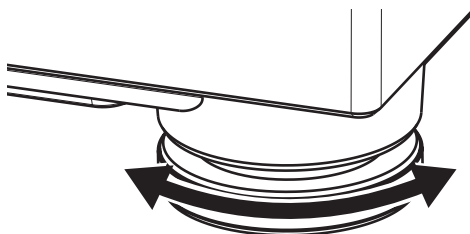
## Место установки

Установите устройство на горизонтальную поверхность, которая не подвергается воздействию внешних вибраций.

- Устанавливайте устройство на максимальном возможном расстоянии от акустической системы.
- Если устройство находится на небольшом расстоянии от радиоприемника (диапазона AM/FM), из радиоприемника может быть слышен шум. Устанавливайте радиоприемник на максимальном возможном расстоянии от данного устройства.

## Регулировка высоты основного блока

Путем поворота демпфера отрегулируйте высоту таким образом, чтобы основной блок находился горизонтально.



# Управление

## Включение питания

1 Выполните все подключения, затем подключите силовой кабель к розетке.

⇒ Подключения (стр.12)

2 Переведите переключатель [POWER] в положение [ON], чтобы включить питание устройства.

Высвечиваются индикаторы данного аппарата и включается питание.

## Отключение питания

Переведите переключатель [POWER] в положение [OFF], чтобы выключить питание устройства.

Питание данного аппарата отключается.

## Воспроизведение

Выполните следующие подготовительные операции:

- Положите пластинку на опорный диск.
- Снимите защитный колпачок иглы и зажим тонарма.

1 Переведите переключатель [POWER] в положение [ON], чтобы включить питание устройства.

2 Выберите скорость вращения в соответствии с записью, нажимая кнопку изменения скорости.

3 Нажмите кнопку [START/STOP].

Опорный диск вращается.

4 Поднимите рычаг микролифта и установите тонарм на пластинку.

5 Опустите рычаг микролифта.

Тонарм медленно опускается и начинается воспроизведение.

## Приостановка воспроизведения

Поднимите рычаг микролифта.

Игла картриджа поднимается от пластинки.

- Для возобновления воспроизведения опустите рычаг микролифта.

## Завершение воспроизведения

1 Поднимите рычаг микролифта, чтобы вернуть тонарм на упор, а затем опустите рычаг микролифта.

2 Нажмите кнопку [START/STOP].

Проигрыватель плавно прекращает воспроизведение.

3 Переведите переключатель [POWER] в положение [OFF], чтобы выключить питание устройства.

Закрепите тонарм зажимом тонарма.

Чтобы защитить кончик иглы, наденьте защитный колпачок иглы.

Закройте пылезащитную крышку.

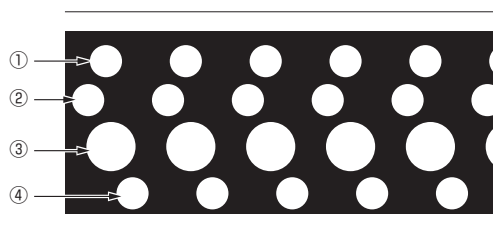
## Регулировка высоты тона

Передвигайте ползунок [TEMPO] вперед или назад.

При перемещении ползунка вперед частота вращения увеличивается, а при перемещении назад — уменьшается.

- Когда ползунок [TEMPO] окажется по центру, загорится желто-зеленый сигнал индикатора и будет установлена выбранная скорость вращения (33 1/3, 45 или 78 оборотов в минуту).
- Шкала ползунка [TEMPO] показывает приблизительное значение. Используйте его в качестве ориентира.
- Чтобы проверить, что скорость вращения изменилась соответствующим образом, посмотрите стробоскопический сигнал на поворотном столике.

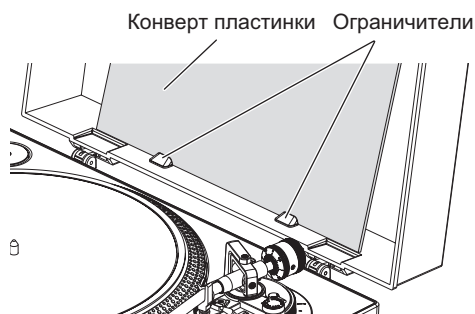
## Метки стробоскопии



- 1 Если сигнал не движется, скорость вращения составляет 33 1/3 об/мин (питание 50 Гц)
  - 2 Если сигнал не движется, скорость вращения составляет 45 об/мин (питание 50 Гц)
  - 3 Если сигнал не движется, скорость вращения составляет 33 1/3 об/мин (питание 60 Гц)
  - 4 Если сигнал не движется, скорость вращения составляет 45 об/мин (питание 60 Гц)
- Для подсвечивания меток стробоскопии в данном устройстве используется стробоскоп (красный светодиод). При проверке высоты всегда используйте стробоскоп.

## Как показать обложку пластинки

Установите обложку за держателями, прикрепленными к пылезащитной крышке, как показано на рисунке.



- Не устанавливайте туда другие предметы.
- Правильно закрепите обложку за держателями.
- При использовании этой функции во время воспроизведения следите, чтобы обложка не упала. Это может повредить пластинку или стилус.
- Не открывайте пылезащитную крышку, если на ней установлена обложка пластинки.

## Воспроизведение стандартных долгоиграющих пластинок

Установите адаптер долгоиграющих пластинок на центральный шпиндель и нажмите кнопку [45].

## Подсветка кончика иглы

Нажатие переключателя подсветки включает белую подсветку иглы и поднимает устройство подсветки в положение подсветки кончика иглы.

- Если в этом нет необходимости, нажмите на выключатель подсветки стилуса, чтобы опустить его. Подсветка стилуса выключится.
- Не смотрите прямо на горящий сигнал стилуса.

## Запись

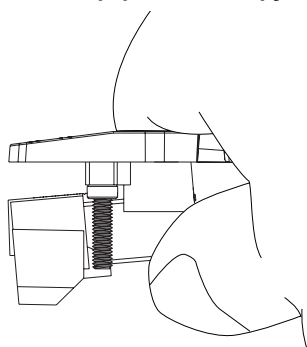
При подключении к компьютеру, на котором установлено приложение для управления музыкой "rekordbox", возможна цифровая запись аналоговых пластинок.

Подробную информацию см. на сайте продукта rekordbox в Инструкциях по эксплуатации rekordbox в разделе [Support]. <https://rekordbox.com/en/store/>

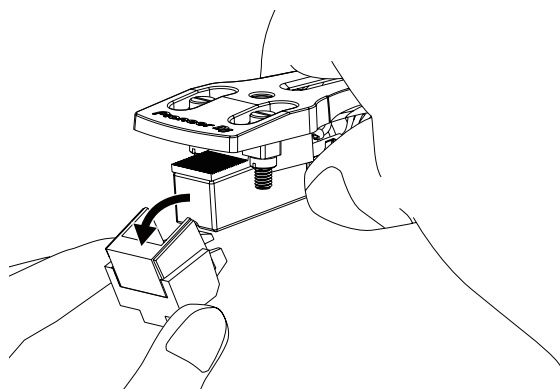
## Замена стилуса

Перед выполнением следующей процедуры убедитесь в том, что питание отключено.

- 1 Возьмите картридж одной рукой.



- 2 Снимите картридж в направлении, указанном стрелкой, удерживая держатель стилуса другой рукой.



## Замена картриджа

Это устройство не поддерживает картриджи MC. Пользуйтесь картриджами VM или MM.

## Снятие картриджа

- 1 Снимите винты, гайки и шайбы с головки звукоснимателя.
- 2 Отключите электрические провода от картриджа.

## Установка картриджа

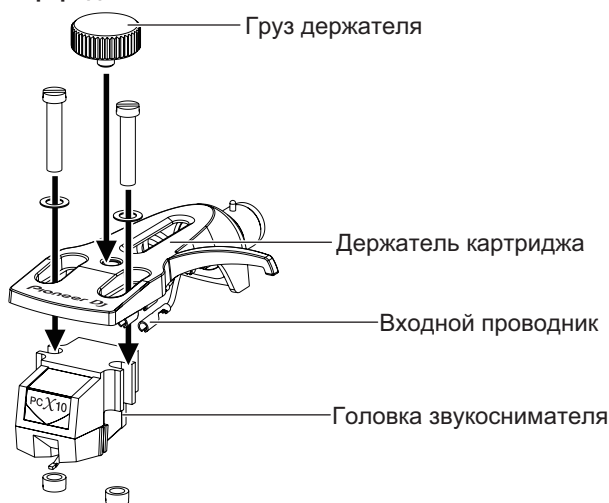
- 1 Подключите картридж с учетом цветовой маркировки проводов на головке звукоснимателя и символов на контактах картриджа.

Учитывайте цветовую маркировку проводов на головке звукоснимателя и символы на контактах картриджа.

Если смотреть спереди, верхний левый — L+: белый, нижний левый — L-: синий, верхний правый — R+: красный, нижний правый — R-: зеленый.

- Надежно подключите провода с помощью клещей и т. п.

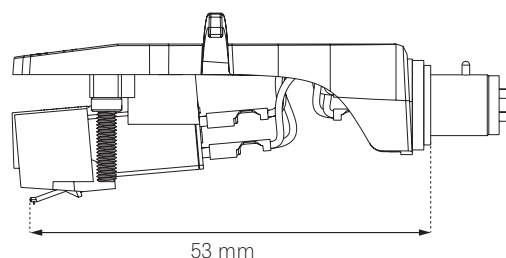
- 2 Прикрепите картридж к головке звукоснимателя с помощью винтов, гаек и шайб из комплекта поставки картриджа.



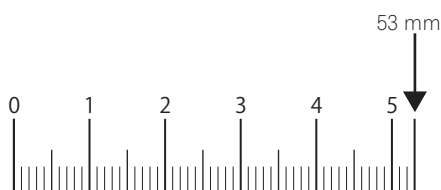
- Надежно прикрепите картридж к головке звукоснимателя.
- При использовании картриджа массой 5 г или менее установите входящий в комплект поставки прижимной вес.

## Регулировка навеса

Для регулировки положения при помощи винта крепления картриджа воспользуйтесь показанной ниже шкалой регулировки навеса. Выполните регулировку таким образом, чтобы кончик иглы находился на расстоянии 53 мм от детали крепления тонарма.



## Шкала регулировки навеса



# Дополнительная информация

## Возможные неисправности и способы их устранения

- Зачастую неправильное срабатывание ошибочно воспринимается за неполадку или неисправность. Если вы думаете, что с данным компонентом что-то не так, проверьте пункты ниже, а также [FAQ] для [PLX-500] на сайте поддержки Pioneer DJ. <http://pioneerdj.com/support/>  
Иногда проблема может заключаться в другом компоненте. Проверьте другие используемые компоненты и электроприборы. Если решить проблему не удастся, обратитесь за ремонтом в ближайший авторизованный сервисный центр или к своему дилеру.
- Данный аппарат может не срабатывать соответствующим образом по причине статического электричества или по другим внешним причинам. В таком случае, обычную работу можно возобновить, отключив питание, обждав 1 минуту и затем снова включив питание.

Неисправность	Проверьте	Способ устранения
Не включается питание.	Подключен ли силовой кабель соответствующим образом? Установлен ли переключатель [POWER] питания в положение [ON]?	Подключите поставляемый силовой кабель к розетке соответствующим образом. Установите переключатель [POWER] питания в положение [ON].
Звучание отсутствует или слишком низкий уровень звучания.	Подключены ли аудиокабели соответствующим образом? Не загрязнены ли терминалы и штекеры? Правильно ли установлен держатель картриджа?	Правильно подключите аудиокабели. Перед выполнением подключений очистите терминалы и штекеры. Правильно установите держатель картриджа.
Звук левого и правого канала поменяны местами.	Поменяны ли местами соединения левого и правого каналов каждого оборудования?	Правильно подсоедините аудиокабель и проволочные выводы держателя картриджа.
Во время воспроизведения слышен тихий гудящий звук (гудение или жужжание).	Находится ли возле соединительного шнура такое электрическое устройство, как флуоресцентная лампа или ее шнур питания?	Проложите шнур питания флуоресцентной лампы или установите другое устройство на максимальном возможном расстоянии.
Кончик иглы не опускается на пластинку.	Правильно ли отрегулирована прижимная сила иглы? Выполнена ли горизонтальная балансировка тонарма?	Отрегулируйте противовес, чтобы установить прижимную силу иглы, соответствующую используемому картриджу. Поверните противовес до достижения горизонтального положения тонарма.
Происходят перескоки иглы.	Правильно ли отрегулирована прижимная сила иглы? Деформирован ли пластинка и есть ли на ней царапины? Скопилась ли на кончике иглы пыль? Правильно ли выполнена регулировка компенсации скатывающей силы? Правильно ли выполнена регулировка высоты тонарма?	Отрегулируйте противовес, чтобы установить прижимную силу иглы, соответствующую используемому картриджу. Проверьте состояние пластинки. Снимите держатель с картриджем и осторожно удалите пыль или другие загрязнения с кончика иглы мягкой щеткой или кисточкой. Правильно отрегулируйте компенсацию скатывающей силы. Правильно отрегулируйте высоту тонарма.
Тонарм останавливается и не перемещается дальше.	Есть ли на пластинке царапины? Упирается ли тонарм в посторонний объект?	Проверьте состояние пластинки. Проверьте область вокруг тонарма. В случае обнаружения препятствия, удалите его.
Громкость звука слишком низкая или слишком высокая (искаженная).	Соответствует ли подключение к усилителю используемому типу картриджа (выходу)? Настройка переключателя [PHONO/LINE] правильная?	Подключите соединительные кабели соответствующим образом. Правильно выполните настройку переключателя [PHONO/LINE] в соответствии с входным разъемом подключенного устройства.
Поворотный столик при вращении слегка вибрирует.	В местах крепления поворотного столика и на центральном шпинделе налипла грязь и т. п.	Удалите грязь.

## Предостережения по использованию

### О конденсации

Внутри аппарата (на рабочих деталях или линзе) могут образоваться водяные капли (конденсация) в зимнее время, например, если аппарат был перенесен с холодного места в теплую комнату, или при внезапном повышении температуры в комнате, где установлен аппарат (обогревание, др.). Аппарат не будет срабатывать соответствующим образом и не будет воспроизводиться, пока внутри него имеется конденсация. Оставьте аппарат на 1 или 2 часа при комнатной температуре (хотя в данное время зависит от состояния конденсации) отключенным. Водяные капли испарятся и можно будет управлять аппаратом. Конденсация может

происходить также и в летнее время, если аппарат подвергался, например, прямому обдуванию от кондиционера воздух. В таком случае передвиньте аппарат в другое место.

### При транспортировке устройства в другое место

Для упаковки устройства используйте оригинальные упаковочные материалы.

Если оригинальные упаковочные материалы отсутствуют, выполните следующие операции:

- Перед началом упаковки снимите подложку и опорный диск проигрывателя.
- снимите держатель картриджа и противовес с тонарма и тщательно их упакуйте.

- с помощью зажима тонарма зафиксируйте тонарм и закрепите его липкой лентой, чтобы исключить его перемещение.
- заверните основной блок в одеяло или мягкую бумагу, чтобы не допустить его повреждения.
- Упаковывайте без применения силы к рычагу тона.

## Техническое обслуживание каждого узла

При установке и снятии держателя картриджа отключайте питание усилителя.

Выполнение этих операций при установленной высокой громкости может вызвать повреждение громкоговорителя.

- Снимите держатель с картриджем и осторожно удалите пыль или другие загрязнения с кончика иглы мягкой щеткой или кисточкой.
- Для очистки пластинок используйте высококачественное средство для чистки пластинок.
- При помощи мягкой ткани или аналогичного материала очистите выводы держателя картриджа, а затем установите держатель на тонарм.

## Очистка пылезащитной крышки и других деталей

Для очистки пылезащитной крышки и корпуса используйте мягкую ткань

- Не очищайте пылезащитную крышку во время воспроизведения. Статическое электричество может привести к притягиванию тонарма к пылезащитной крышке.

## О торговых марках и зарегистрированных торговых марках

- «Pioneer DJ» является зарегистрированным товарным знаком корпорации PIONEER CORPORATION и используется по лицензии.
- rekordbox – торговая марка или зарегистрированная торговая марка компании Pioneer DJ Corporation.

Указанные здесь названия компаний и изделий являются торговыми марками или зарегистрированными торговыми марками соответствующих владельцев.

## Технические характеристики

Требования к питанию

.... от 110 В до 120 В или от 220 В до 240 В переменного тока, 50 Гц/60 Гц  
 Потребляемая мощность..... 11 Вт  
 Вес основного аппарата ..... 10,7 кг  
 Макс. габариты ..... 450 мм (Ш) × 158,5 мм (В) × 367,5 мм (Г)  
 Допускаемая рабочая температура ..... от +5 °С до +35 °С  
 Допускаемая рабочая влажность...от 5 % до 85 % (без конденсации)

### Узел опорного диска

Привод .....Прямой с сервоуправлением  
 Двигатель ..... 3-фазный бесколлекторный постоянного тока  
 Система торможения ..... Электронный тормоз  
 Скорость вращения..... 33 1/3 об/мин, 45 об/мин, 78 об/мин  
 Диапазон регулировки скорости вращения ..... ±8 %  
 Коэффициент детонации ..... Не более 0,15 % WRMS  
 Соотношение сигнал/шум..... Не менее 50 дБ  
 Опорный диск ..... Литой алюминий, диаметр: 332 мм  
 Пусковой момент ..... не менее 1,6 кг·см  
 Время старта ..... Не более 1 секунд (при 33 1/3 об/мин)

### Узел тонарма

Тип тонарма  
 ..... Универсальный S-образный с карданной подвеской, статически сбалансированный

Эффективная длина ..... 230,5 мм  
 Навес ..... 16 мм  
 Погрешность слежения..... Не более 3°  
 Диапазон регулировки высоты тонарма ..... 6 мм  
 Диапазон регулировки прижимной силы иглы  
 ..... От 0 г до 4,0 г (1 деление шкалы — 0,1 г)  
 Собственный вес картриджа ..... 9,5 г или менее (один картридж)  
 Тип картриджа ..... VM

### Напряжение на выходе

PHONO ..... 2,5 мВ/1 кГц  
 LINE ..... 150 мВ/1 кГц  
 — Технические характеристики и конструкция данного изделия могут изменяться без уведомления.

- © Pioneer DJ Corporation 2016. Все права защищены.





**Примечание:**

Корпорация Пайонир Диджей устанавливает следующую продолжительность срока службы официально поставляемых на Российский рынок товаров.

Аудио и видеоборудование: 7 лет

Переносное аудиооборудование: 6 лет

Другое оборудование (наушники, микрофон и т.д.): 5 лет

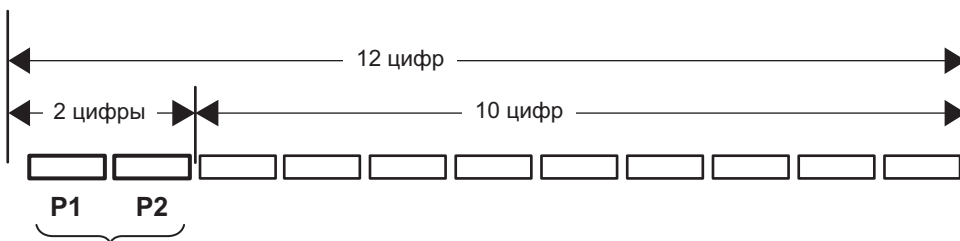
D3-7-10-6b\_B1\_Ru

**Информация для покупателей в ЕАЭС:**

Уполномоченной организацией в соответствии с требованиями ТР ТС 004/2011, 020/2011, 017/2011 является ООО "ПИОНЕР РУС", Россия, 105064, г. Москва, Нижний Сусальный переулок, дом 5, строение 19, т. (495) 9568901

D3-7-10-8b\_A1\_Ru

Дату изготовления оборудования можно определить по серийному номеру, который содержит информацию о месяце и годе производства.

**Серийный номер**

Дата изготовления оборудования

**P1 - Год изготовления**

Год	2001	2002	2003	2004	2005	2006	2007	2008	2009	2010
Символ	A	B	C	D	E	F	G	H	I	J
Год	2011	2012	2013	2014	2015	2016	2017	2018	2019	2020
Символ	K	L	M	N	O	P	Q	R	S	T

**P2 - Месяц изготовления**

Месяц	1	2	3	4	5	6	7	8	9	10	11	12
Символ	A	B	C	D	E	F	G	H	I	J	K	L

D3-7-10-7\_A1\_Ru

© 2016 Pioneer DJ Corporation. All rights reserved.

© 2016 Pioneer DJ Corporation. Tous droits de reproduction et de traduction réservés.

**Pioneer DJ Corporation**

6F, Yokohama i-Mark Place, 4-4-5 Minatomirai, Nishi-ku, Yokohama, Kanagawa 220-0012 JAPAN

**Pioneer DJ 株式会社**

〒220-0012 神奈川県横浜市西区みなとみらい4丁目4番5号 横浜アイマークプレイス6階

**Корпорация Пайонир Диджей**

6F, Йокогама i-Mark Place, 4-4-5 Минатомирай, Ниси-ку, Йокогама, Канагава 220-0012 ЯПОНИЯ

**Pioneer DJ Europe Limited**

Anteros Building, Odyssey Business Park, West End Road, South Ruislip, Middlesex, HA4 6QQ, U.K. TEL: +44-203-7617-220

**Pioneer DJ Americas, Inc.**

2050 W. 190th Street, Suite 109, Torrance, CA 90504, U.S.A. TEL: +1 (424) 488-0480

**PIONEER ELECTRONICS ASIACENTRE PTE. LTD.**

2 Jalan Kilang Barat, #07-01, Singapore 159346 TEL: +65-6378-7888

**PIONEER ELECTRONICS AUSTRALIA PTY. LTD.**

5 Arco Lane, Heatherton, Victoria, 3202, Australia, TEL: +61-3-9586-6300

**PIONEER ELECTRONICS (THAILAND) CO., LTD.**

17th Fl., KPN Tower, 719 Rama 9 Road, Bangkapi, Huaykwang, Bangkok 10310  
TEL: +66-2-717-0777

**PIONEER TECHNOLOGY (MALAYSIA) SDN. BHD**

16th Floor, Menara Uni. Asia 1008 Jalan Sultan Ismail 50250 Kuala Lumpur  
TEL: +60-3-2697-2920

**先鋒股份有限公司**

台灣台北市內湖區瑞光路 407 號 8 樓 TEL: +886-(0)2-2657-3588

**先鋒電子（香港）有限公司**

香港九龍長沙灣道 909 號 5 樓 TEL: +852-2848-6488

**PIONEER ELECTRONICS DE MEXICO S.A. DE C.V.**

Blvd.Manuel Avila Camacho 138 10 piso Col.Lomas de Chapultepec,  
Mexico, D.F. 11000 TEL: +52-55-9178-4270

**PIONEER INDIA ELECTRONICS PRIVATE LTD.**

216, Second Floor, Time Tower, M.G. Road, Sector 28, Gurgaon 122001,  
Haryana, India TEL: +91-124-463-6100

PDJ\_001\_all

Сделано в Китае

Printed in China/ Imprimé en Chine

<DRH1378-C>

<502-PLX500B-3626B>