



AF-5X/AF-5XR
Special Effects Fan
User Manual
- English
- 中文



© 2023 Antari Lighting and Effects Ltd.

| | |
|--|----|
| 1. Introduction | 1 |
| 2. Safety Information..... | 1 |
| 3. Package Contents & Inspection..... | 2 |
| 4. Machine Details..... | 3 |
| 5. Technical Label Information..... | 3 |
| 6. Setting and Manual Operation..... | 3 |
| 7. Control Settings | 4 |
| 8. DMX Connection | 4 |
| 9. RDM Function..... | 5 |
| 10. W-1 Wireless Transmitter (Optional)..... | 5 |
| 11. Service and Maintenance..... | 5 |
| 12. Technical Specifications | 6 |
| 13. Warranty Disclaimer..... | 6 |
| 14. Machine Dimension..... | 6 |
| 1. 前言 | 7 |
| 2. 安全注意事項 | 7 |
| 3. 包裝內容與檢查 | 8 |
| 4. 機器訊息 | 8 |
| 5. 技術標籤資訊 | 9 |
| 6. 設定與手動操作說明 | 9 |
| 7. 控制設定 | 9 |
| 8. DMX 說明..... | 10 |
| 9. RDM 功能 | 11 |
| 10. W-1 無線發射器(選配)..... | 11 |
| 11. 維護和保養 | 11 |
| 12. 技術規格 | 11 |
| 13. 保固聲明 | 12 |
| 14. 機器尺寸圖 | 12 |
| Appendix I - Grounding Instruction | 13 |




ANTARI FAN AF-5x

User Manual

1. Introduction

Please read all the user manual before operating the machine, and place the manual where the user can refer to it at all time. The manual includes how to install and operate the machine under safe condition and explain all the labels printed on the machine. If you encounter any problem, contact your local Antari dealer for assistant immediately.

2. Safety Information

| | |
|--|--|
|  DANGER | If the danger is not avoided, it will cause death or serious injury |
|  WARNING | If the warning is not heeded, it can cause death or serious injury. |
|  CAUTION | If the precaution is not taken, it may cause minor or moderate injury. |



DANGER

- Must connect the machine to the correct rated voltage or it might lead to an electrical shock or a burn and may cause serious consequences.
- Must connect the machine to a protected circuit and ensure it is properly grounded to avoid the risk of electrocution. For grounding instruction, please refer to Appendix I on page 13.
- Do not operate the machine with a bundled power cord, it could lead to a fire hazard.
- Do not use the fan in an environment full of flammable gas, susceptible to water or powder. Keep away from any fire and heat sources.
- When operating the machine, do not point at people, animals, or fire.



WARNING

- Please operate the machine on a flat, level hard and well ventilated surface area, reserve at least 50cm space around the machine and make sure there is no flammable gas or material nearby.
- Do not disassemble, repair or modify the machine, it may cause damages, malfunction, risk of electrical shock or result in fire.
- The machine can only be operated by adults or professionals, is not intended for use by person with reduced physical sensory, mental capabilities, or lack of experience and knowledge including children.
- Do not leave the machine running unattended, make sure all powers are off when leaving.
- Children should be supervised to ensure that they do not play with the machine.
- Do not use the machine upside down or tilt it, it might cause damages or malfunction.
- Never allow any object or part of your body to enter path of the fan blades to prevent any injury or damages
- Do not spray the fan with any liquid including cleaner and insecticide to avoid injury or damages.



CAUTION

- Keep the machine dry at all time. The machine is not waterproof, do not expose the machine to water, rain, or moisture environment.
- Please make sure the power outlet is not damaged or loose before plug in the power cord.
- If the power cord is damaged, it must be replaced by Antari or its local dealers, otherwise the warranty will be void.

- The machine is for indoor use only.
- Do not operate the machine in any area with unstable voltage.
- If you experience strange sound or malfunction, turn off the power and unplug the power cord immediately and contact your local Antari dealer for assistant.
- Do not contact any moving part.
- Only use accessories recommended or sold by Antari.
- Please make sure the power is off when not using the machine and unplug the power cord if not intend to use for a long period of time.
- To disconnect, turn all controls to the off position, then remove plug from outlet.
- Do not unplug by pulling on cord. To unplug, grasp the plug, not the cord.
- Unplug from outlet before servicing or cleaning.
- Ensure that curtain, clothing, cables or other items cannot be suck into the fan.
- Do not operate the machine with a damaged cord or plug, or after the machine malfunctions or is dropped or damaged in any manner. Return machine to the nearest authorized service facility for examination, repair, or electrical or mechanical adjustment.
- After a period of operation, abnormal noise and uneven air volume may appear because of dust blocking airflow. It will disappear after cleaning the air inlet and outlet.

Before operating the machine, please read all warning labels on the machine, description as below:

WARNING!

1. Operate fan only with adult supervision.
2. Keep hands off and do not insert anything into the fan.
3. The fan is not water-resistant. Avoid water splash.

3. Package Contents & Inspection

Immediately upon receiving the machine, carefully unpack the carton, check the content to ensure it is the correct model and all parts are included. If any part appears to be damaged or missing during transportation, please contact your local dealer and return with original package for inspection.

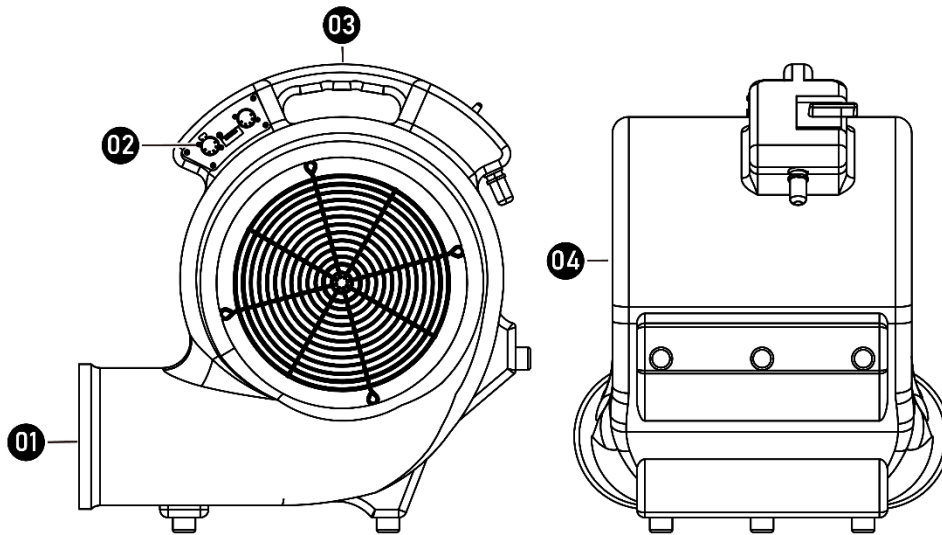
3.1 Package Contents

| AF-5X | AF-5XR |
|--|--|
| 1 x AF-5 Special Effects Fan | 1 x AF-5XR Special Effects Fan |
| 1 x User Manual or Scan QR Code on the Machine | 1 x WTR-10 Wireless Remote |
| | 1 x User Manual or Scan QR Code on the Machine |

3.2 Optional Accessories

| Item Code | Description |
|-----------|--|
| WTR-10 | Wireless Remote (W-1 Transmitter/W-1 Receiver) |
| AF-5X-HB | Hanging Bracket |

4. Machine Details



| | |
|-------------------|---------------|
| 01. Air Outlet | 03. Handle |
| 02. XLR 5-Pin DMX | 04. Air Inlet |

5. Technical Label Information

Please read the technical label information on the back of the machine before operating it.



| | |
|---------------|------------------------------|
| 1. Horsepower | 4. Nominal Power Consumption |
| 2. Frequency | 5. Serial No. |
| 3. Fuse | 6. QR CODE for User Manual |

6. Setting and Manual Operation

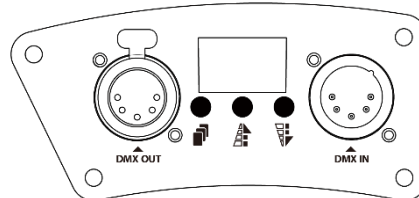
- Step 1.** Place the machine on a flat, level hard and well ventilated surface area and reserve at least 50cm open space around the machine, and make sure there is no flammable gas or material nearby;
- Step 2.** Plug the machine to the power outlet. Please read the technical label on the back of the machine and make sure the power outlet has the correct rated voltage for the machine;
- Step 3.** Turn on the power. To start, turn the rotary switch from 1-3 will give you low, medium, high fan speed. To stop, turn the rotary switch to 0.
- Step 4.** To turn off the power, please make sure the machine is not operating. If you will not use the machine a long period of time, please unplug the power cord.

7. Control Settings

AF-5X/AF-5XR Special Effects Fan can be operated in the following modes. The machine can only accept 1 type of signal at a time. When using different control modes at the same time, the machine will work according to built-in control priority:

- Manual
- DMX512
- Wireless

7.1 Control Panel Description



AF-5X/AF-5XR Special Effect Fan can be operated with the onboard digital control interface.

| Button | Operating Method | Action |
|---------|------------------|----------------------------------|
| MENU | Press | Scroll through menu |
| UP/DOWN | Press | Up/Down; Increase/Decrease Value |

7.2 Menu Options Description

| Options | Description |
|---------|--------------------------------------|
| | Set DMX Address from 1-512 |
| | Turn On/Off Display Auto Shut Off |
| | Turn On/Off Manual Fan Speed Control |
| | Show Software Version |

8. DMX Connection

8.1 DMX Connector Pin Assignment

The machine has a XLR 5-Pin for DMX connection. The diagram below indicates pin assignment information.


| Pin | Function |
|-----|----------|
| 1 | Ground |
| 2 | Data- |
| 3 | Data+ |
| 4 | NA |
| 5 | NA |

** There is a protection cap on DMX IN, please remove it with your finger before operation.

8.2 DMX Setting

| Channel Mode | Channel | DMX Value Range | Function |
|--------------|---------|-----------------|--------------|
| 1 | 1 | 0 – 9 | Fan Off |
| | | 10 – 89 | Low Speed |
| | | 90 – 169 | Medium Speed |
| | | 170 – 255 | High Speed |

9. RDM Function

The AF-5X/AF-5XR stage effects fan is RDM enabled. Press and hold [MENU] and [DOWN] button simultaneously, then power up the machine. The LCD screen will show  and flash 3 times, now you can enter RDM UID value from 1 to 999.

10. W-1 Wireless Transmitter (Optional)

W-1 Wireless Remote is an optional accessory for AF-5X Special Effects Fan. If you already purchased the wireless model, it's ready to use. If you purchase the W-1 Wireless Remote afterwards, please follow the instruction below. If you encounter any problem, please contact your local Antari dealer for assistant.

10.1 W-1 Wireless Transmitter

- Battery : 27A 12V
- Effective Range : The effective range is approximately 50m, depends on actual condition, it may vary.
- W-1 wireless transmitter has 2 buttons, each function as follow:





W-1 Wireless Transmitter


| Button | Function |
|--------|----------|
| [A] | Start |
| [B] | Stop |

10.2 Pairing

Each receiver can pair up to 5 transmitters, please follow the steps below to pair;

- Step 1.** When the fan is powered on, the LCD screen on the control panel will show  for about 15 seconds. Within this period, press button A on the W-1 transmitter to pair with the machine. When screen shows , means it's paired;
- Step 2.** Please repeat Step 1 to pair multiple transmitters;

11. Service and Maintenance

| | | |
|---|----------------|--|
|  | DANGER! | Disconnect the power cord before starting maintenance operation! |
|---|----------------|--|

- Always keep the machine clean.
- Can use an air compressor, a vacuum or a soft brush to remove the dust on the machine.
- Can use a slightly damp cloth to clean the casing.
- Before store the machine, please make sure the machine is completely cool down to avoid moisture inside the machine causing malfunction.
- It is recommended to run the machine at least once a month in order to maintain its best performance and output condition.
- Excessive dust will reduce the performance and cause overheat.

Fuse Specification

120V=T2.0A 250V

240V=T1.0A 250V

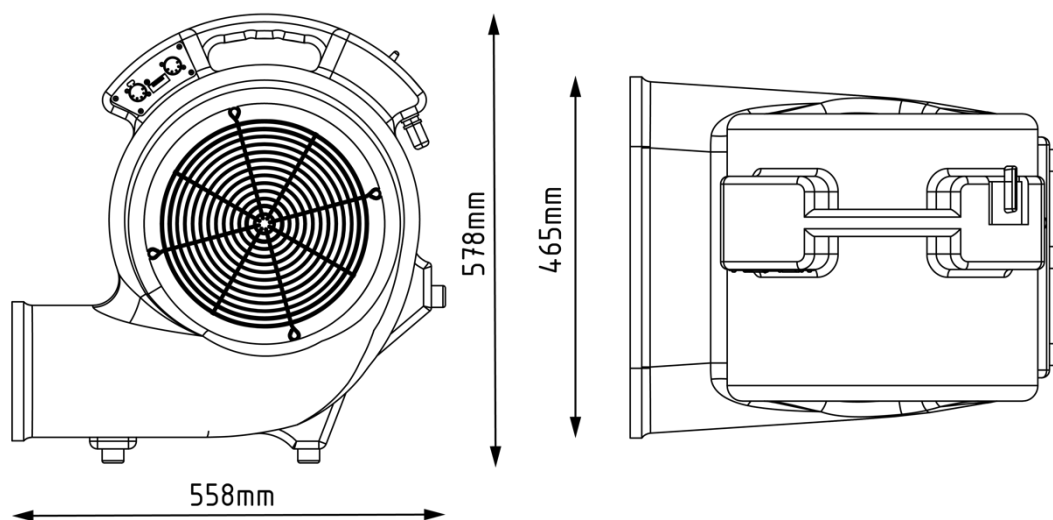
12. Technical Specifications

| AF-5X/AF-5XR | |
|-----------------------------|---|
| Rated Voltage | US Model : AC 100-120V, 50/60Hz 13A EU Model : AC 220-240V, 50/60Hz 7.5A |
| Rated Power | 1600W |
| Ambient Temp. Range | 0°C – 40°C (32°F – 104°F) |
| Air Flow | 1743 CFM (High) 、 1567 CFM (Medium) 、 1351 CFM (Low) |
| Fan Speed | 1242 – 1480 rpm (AC 110V/60Hz) 、 1175 – 1289 rpm (AC 220V/60Hz) |
| Noise Level | 68.5 dB (Max. Output) |
| Housing Material | Flame Retardant Plastic (PE9731) |
| Control Methods | Manual 、 DMX512 、 Wireless (Optional) |
| Interface | XLR 5-Pin (DMX) |
| DMX Channel | 1 Channel |
| Included Accessories | N/A |
| Optional Accessories | Hanging Bracket 、 W-1 Wireless Transmitter |
| Dimension | L 558 W 465 H 578 mm (L 21.97 W 18.31 H 22.76 inch) |
| Weight | 17.50 kg (38.58 lbs.) |

13. Warranty Disclaimer

We guarantee the merchandise manufactured by us to be free from defect in material and workmanship for a period of one year. Our obligation and liability under this warranty shall be restricted to repair or replacement at our factory or local authorized dealer. We assume no liability of the products that are improperly used or used for any purpose other than that for which they are specially designed. This warranty shall not apply to any merchandise which has been repaired, altered or assembled outside our factory in any way so as in our judgment to affect its performance, nor which has been subjected to misuse, negligence, or accident nor to any merchandise operated contrary to our printed instructions. We will not allow or be liable of any loss or any damages of any kind in connection with the use, sale, or repair of any merchandise purchased from us.

14. Machine Dimension






ANTARI FAN AFF-5x

中文使用說明書

1. 前言

在操作本機器之前，請務必仔細詳閱本說明書然後請將本說明書放置在機器使用者可隨時查閱之處存放。此說明書包含如何安全的安裝及操作本機器以及說明所有在機器上的標示。如果您有任何操作上的問題，請立即聯繫當地的 Antari 經銷商尋求協助。

2. 安全注意事項

| | | |
|---|-----------|------------------------------------|
|  | 危險 | 若不確實避免這些指示，可能導致嚴重人身傷害甚至死亡。 |
|  | 警告 | 若不確實遵循這些指示，可能導致嚴重人身傷害甚至死亡。 |
|  | 注意 | 若不確實注意這些指示，可能導致人身傷害甚至死亡，嚴重程度視情況而定。 |



危險

- 請務必使用正確電壓。如果使用錯誤電壓，可能會遭受危險的電擊燒傷或更嚴重的後果。
- 請務必將機器連結到有保護的電路，並確保有正確地接地，以避免觸電的危險。關於接地方式請參考第 13 頁附錄 I。
- 請勿在捆綁電源線的情況下使用，可能會發熱導致火災。
- 禁止在有易燃氣體、易被水淋、粉塵較多的地方使用風扇。請遠離火源及熱源。
- 操作機器時請勿將機器對著人體、動物或火焰使用。



警告

- 請於堅固、平坦、穩定且通風良好的表面上使用機器。請勿遮蓋機器散熱部份，機器周邊至少應保留公分的空間並確認附近沒有易燃性物質或可揮發性氣體。
- 請勿隨意拆卸、修理或改造機器，這可能會導致機器故障、損壞、觸電危險或造成火災。
- 本機器僅限有行為能力之成人或專業人員操作，不預期提供生理、感知、心智能力、經驗或知識不足者之使用者(包含孩童)使用本機器。
- 請勿在無人看管時讓機器運作，並於外出離去時確實關閉電源。
- 孩童應受監督，以確保孩童不能操作或嬉戲玩本機器。
- 請勿將機器倒放或傾斜使用，可能導致機器動作不正常或損壞。
- 禁止將其他物體或身體部位插入前後網內，避免受傷或損壞。
- 請勿將任何液體包含清潔劑與殺蟲劑等，噴向風扇避免受傷或損壞。



注意

- 本機器無防水設計，請隨時保持機器乾燥、嚴禁將其潑水、浸水、淋雨或放在潮溼的環境。
- 在插入電源插座前，請確認電源插座無損壞或鬆動。
- 若電源線損壞，必須使用原廠電源線或組件進行更換，否則將導致保固無效。
- 本產品僅限室內使用。
- 請勿在電壓不穩定的地區使用本機器。
- 如果機器出現異常聲音或有任何不正常現象時，請立即停止工作，將電源關閉及拔下機器電源線，並請聯繫當地的 Antari 經銷商尋求協助。
- 請勿觸碰機器內部運轉零件。

- 只能使用原廠建議或販售之配件。
- 請確認機器不在使用的狀態下電源已關。如果長時間不使用機器，請拔掉電源線。
- 關閉機器時，將所以控制開關轉到關閉的位置，然後再將插頭從插座拔除。
- 拔除電源線時，請抓住插頭不是電線。
- 應遠離窗簾、衣物、電線或其他異物，避免被風扇葉片捲入。
- 在保養及清潔前，請把電源線從插座拔除。
- 在電線或插座有損毀、機器故障或有掉落或損壞的情形發生時，請勿操作機器。請將機器送回最近的維修站，做檢查、維修及電源或機械的調整。
- 使用一段時間後，因為灰塵阻擋空氣流動，有可能會產生異音或不均勻風量。在清潔過後就會恢復正常。

在使用本機之前，請詳細閱讀機器上的警語標示，說明如下：

WARNING! 警告!

1. Operate fan only with adult supervision. 僅在成人監督下使用風扇
2. Keep hands off and do not insert anything into the fan. 請勿觸摸風扇葉片 請勿放任何東西到風扇裡
3. The fan is not water-resistant. Avoid water splash. 此風扇沒有防水功能. 避免水花濺到

3. 包裝內容與檢查

在收到機器後，請立即小心地打開包裝紙箱，檢查所有內容，確認您所購買的機型及配件。如果有任何部件因運輸過程出現損壞或缺少，請立即連絡經銷商，並以原包裝退回檢查。

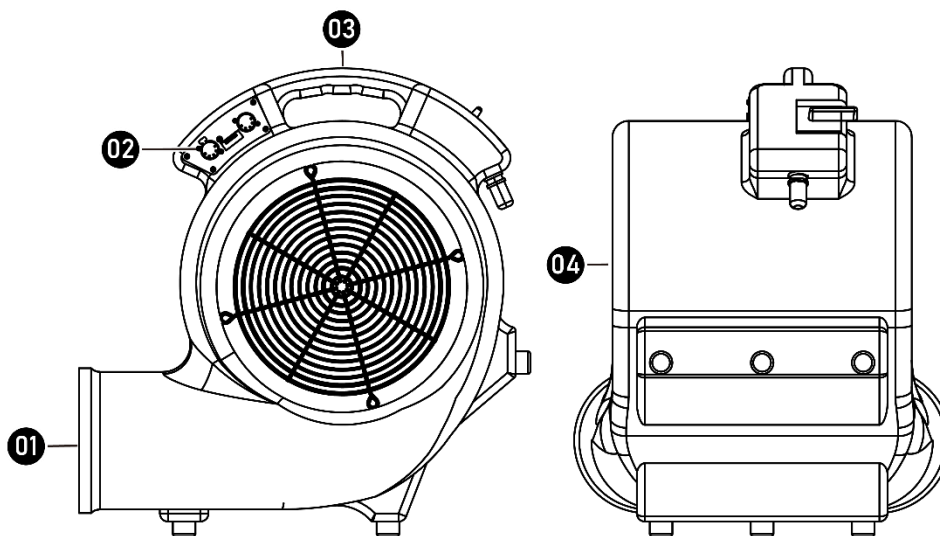
3.1 包裝內容

| AF-5X | AF-5XR |
|----------------------|----------------------|
| 1 x AF-5X 特效風扇 | 1 x AF-5XR 特效風扇 |
| 1 x 說明書或掃描機身 QR Code | 1 x W-1 無線發射器 |
| | 1 x 說明書或掃描機身 QR Code |

3.2 選配說明

| 品項 | 描述 |
|----------|-----------|
| W-1 | W-1 無線發射器 |
| AF-5X-HB | 吊架 |

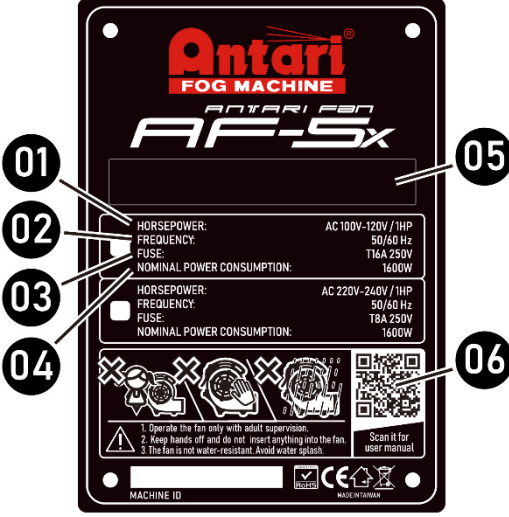
4. 機器訊息



| | |
|-----------------------|---------|
| 01. 出風口 | 03. 把手 |
| 02. XLR 5-Pin DMX 連接頭 | 04. 入風口 |

5. 技術標籤資訊

使用本機器前，請詳閱位於機器後方的技術標籤訊息。

| | |
|--|-----------------|
|  | |
| 01. 馬力 | 04. 額定功耗 |
| 02. 頻率 | 05. 機器流水序號 |
| 03. 保險絲規格 | 06. 說明書 QR CODE |

6. 設定與手動操作說明

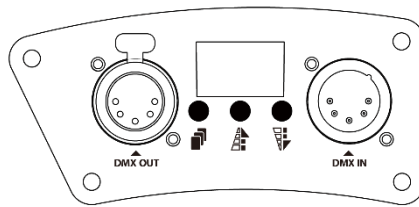
- 步驟1.** 將機器平放在堅固、平坦、穩定且通風良好的表面上，機器周圍至少應保留 50 公分的空間並確認附近沒有易燃性物質或可揮發性氣體；
- 步驟2.** 將機器連接電源插座，連接之前，確認機器背後技術標籤上所標示要求功率，是否與電源插座相符；
- 步驟3.** 啟動機器電源後，當液晶螢幕顯示”Ready”，代表機器可以進行操作；
- 步驟4.** 欲啟動風扇，按下[VOLUME]鍵，然後可以按下 UP/DOWN 鍵調整風扇速度；欲停止風扇，按下[STOP]；
- 步驟5.** 需關閉機器時，請確認機器已停止運轉，再將電源關閉即可，長時間不使用時請拔除電源線。

7. 控制設定

AF-5X/AF-5XR 特效風扇可以使用下列操作模式，機器每次接受一種訊號。當同時間使用多種訊號時機器將根據原廠內建訊號的優先順序來進行工作；

- 手動控制
- DMX512
- 無線控制

7.1 控制面板說明



AF-5X/AF-5XR 特效風扇可以使用機器上的數位控制面板來操作。

| 按鍵 | 操作方式 | 功能 |
|---------|------|---------|
| MENU | 按 | 瀏覽清單 |
| UP/DOWN | 按 | 增加/減少數值 |

7.2 選單說明

| 選項 | 敘述 |
|----|-----------------|
| | 設定 DMX 地址 1-512 |
| | 啟動/關閉螢幕自動關閉 |
| | 啟動/關閉手動控制風扇速度 |
| | 顯示軟體版本 |

8. DMX 說明

8.1 DMX 說明

本機器提供一個 XLR 5-Pin 的 DMX 連接頭。PIN 的接點說明如下：

| <p>5 Pin XLR</p> | <p>**DMX IN 連接頭上有一個保護蓋，操作前，請用手指撥開即可將其取下。</p> | | | | | | | | | | | | |
|---|--|----|---|----|---|-----|---|-----|---|-----|---|-----|--|
| <table border="1"> <thead> <tr> <th>Pin</th> <th>功能</th> </tr> </thead> <tbody> <tr> <td>1</td> <td>接地</td> </tr> <tr> <td>2</td> <td>數據-</td> </tr> <tr> <td>3</td> <td>數據+</td> </tr> <tr> <td>4</td> <td>N/A</td> </tr> <tr> <td>5</td> <td>N/A</td> </tr> </tbody> </table> | Pin | 功能 | 1 | 接地 | 2 | 數據- | 3 | 數據+ | 4 | N/A | 5 | N/A | |
| Pin | 功能 | | | | | | | | | | | | |
| 1 | 接地 | | | | | | | | | | | | |
| 2 | 數據- | | | | | | | | | | | | |
| 3 | 數據+ | | | | | | | | | | | | |
| 4 | N/A | | | | | | | | | | | | |
| 5 | N/A | | | | | | | | | | | | |

8.2 DMX 通道功能

| 通道 | 通道模式 | DMX 數值範圍 | 功能 |
|----|------|-----------|------|
| 1 | 風量調整 | 0 – 9 | 關閉風扇 |
| | | 10 – 89 | 低速 |
| | | 90 – 169 | 中速 |
| | | 170 – 255 | 高速 |

9. RDM 功能

AF-5X/AF-5XR 特效風扇配有 RDM 功能。同時長按住[MENU]和[DOWN]按鍵，然後開啟風扇電源，液晶螢幕會顯示 **888** 並閃 3 下，現在即可輸入 RDM UID 數值 1-999。

10. W-1 無線發射器(選配)

W-1 無線發射器此為 AF-5X 特效風扇的選購配件。若您採購的版本已含無線功能即已安裝至機器上，可直接使用。若是後續採購 W-1 無線發射器，請按照下方說明進行安裝與配對。如果遇到任何困難與問題，請與當地的 Antari 經銷商尋求協助。

10.1 W-1 無線發射器說明

- 發射器：使用 27A 12V 電池
- 收發距離：有效距離為 50 公尺，實際收訊狀況根據現場環境因素而有所不同。
- W-1 無線發射器配有 2 個按鈕，控制功能為：



W-1 無線發射器

| 按鈕 | 功能 |
|-------|------|
| [A] 鍵 | 啓動風扇 |
| [B] 鍵 | 停止風扇 |


10.2 配對

每個接收器可以配對最多五個發射器，請參考下列步驟進行配對。

步驟 1：當開啟機器電源後，液晶螢幕上會顯示 **888** 約 15 秒鐘。在這時間內按下發射器上的 A 鈕進行配對，配對成功後會顯示 **888**；

步驟 2：如果要配對多個無線發射器，然後重複步驟 1 即可。

11. 維護和保養

| | | |
|---|------------|------------------|
|  | 危險! | 維修保養之前，請務必拔除電源線！ |
|---|------------|------------------|

- 隨時保持機器清潔。
- 可以使用空氣壓縮機、吸塵器或軟刷除去機器上的灰塵。
機殼可使用濕布擦拭。
- 建議每月至少讓機器運轉一次，以保持機器處於最佳的性能和輸出條件。
- 機器上過多的灰塵會降低機器工作性能，導致散熱不良。

12. 技術規格

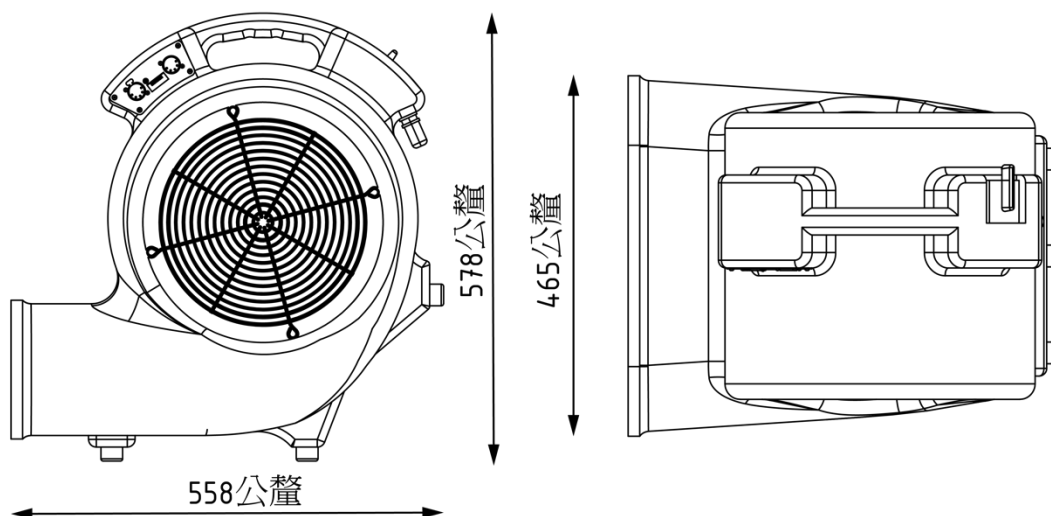
| AF-5X/AF-5XR | |
|--------------|---|
| 額定電壓 | 美規：AC 100-120V, 50/60Hz 13A 歐規：AC 220-240V, 50/60Hz 7.5A |
| 額定功率 | 1600 瓦 |
| 適用環境溫度 | 0°C – 40°C (32°F – 104°F) |
| 風量 | 1743 立方英尺/分(高速)、1567 立方英尺/分(中速)、1351 立方英尺/分(低速) |
| 風扇速度 | 1242-1480 轉(AC 110V/60 赫茲)、1175-1289 轉(AC 220V/60 赫茲) |
| 噪音值 | 81.8 分貝(最大輸出) |
| 外殼材料 | 防火塑料 |
| 控制方式 | 手動控制、DMX512、無線控制(選配) |
| DMX 頻道 | 1 個頻道 |

| | |
|------|---|
| 連接座 | XLR 5-PIN(DMX) |
| 隨附配件 | 無 |
| 選購配件 | 吊架、W-1 無線發射器 |
| 尺寸 | 長 558 寬 465 高 578 公釐 (長 21.97 寬 18.31 高 22.76 英寸) |
| 重量 | 17.5 公斤 (38.58 磅) |

13. 保固聲明

本公司保證我們的商品在一年內沒有材料和製作缺陷。我們在本保證下的義務和責任僅限於在原廠或當地授權經銷商進行的維修或更換。我們對不當使用或用於非專門設計目的以外之用途不承擔任何責任。本保固不適用於以任何方式在原廠或當地授權經銷商外修理、改動或組裝的任何商品，以便我們判斷影響其性能，沒有受到誤用、疏忽或事故的影響，也沒有違反我們的任何商品操作印刷說明。本公司對於從我們這邊購買的商品不會允許也不對於使用、銷售或修理任何產品有關的任何類型的任何損失或損害承擔責任。

14. 機器尺寸圖

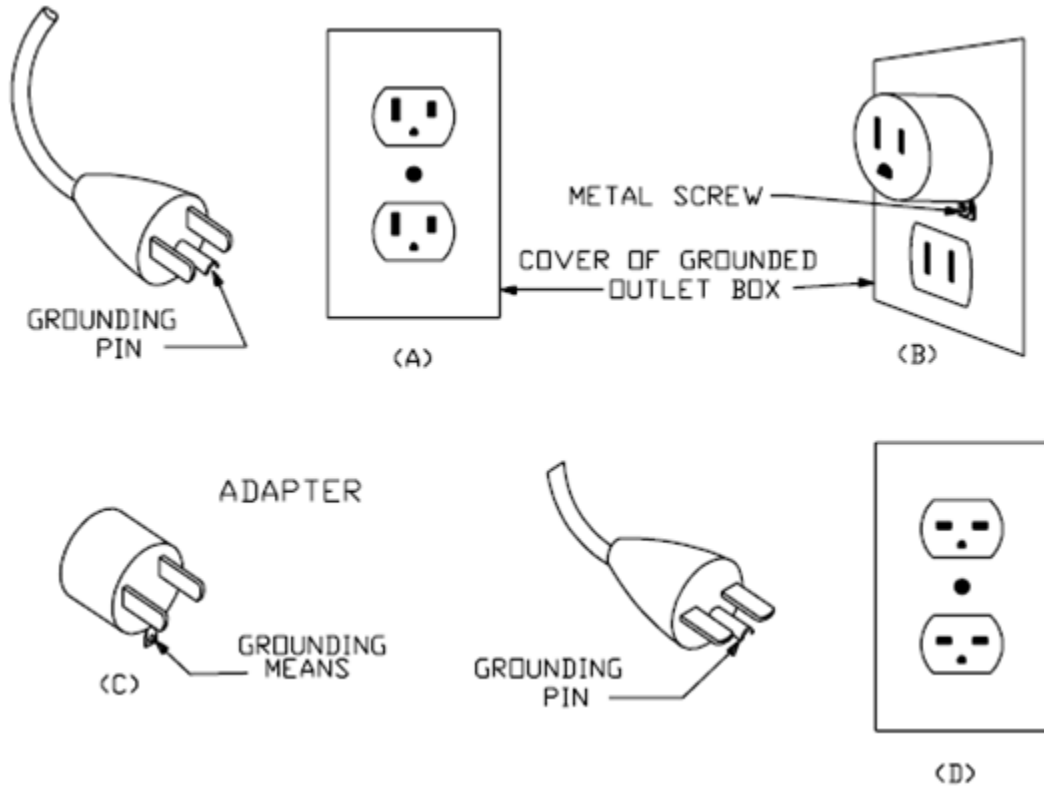


Appendix I - Grounding Instruction

This appliance must be grounded. In the event of malfunction or breakdown, grounding provides a path of least resistance for electric current to reduce the risk of electric shock. This appliance is equipped with a cord having an equipment-grounding conductor and a grounding plug. The plug must be plugged into an appropriate outlet that is properly installed and grounded in accordance with all local codes and ordinances.

DANGER – Improper connection of the equipment-grounding conductor can result in a risk of electric shock. The conductor with insulation having an outer surface that is green with or without yellow stripes is the equipment-grounding conductor. If repair or replacement of the cord or plug is necessary, do not connect the equipment-grounding conductor to a live terminal. Check with a qualified electrician or serviceman if the grounding instructions are not completely understood, or if in doubt as to whether the appliance is properly grounded. Do not modify the plug provided with the appliance – if it will not fit the outlet, have a proper outlet installed by a qualified electrician.

This appliance is for use on a nominal 120 V circuit, and has a grounding plug that looks like the plug illustrated in sketch A in Figure. A temporary adaptor, which looks like the adaptor illustrated in sketches B and C, may be used to connect this plug to a 2-pole receptacle as shown in sketch B if a properly grounded outlet is not available. The temporary adaptor should be used only until a properly grounded outlet can be installed by a qualified electrician. The green colored rigid ear, lug, and the like, extending from the adaptor must be connected to a permanent ground such as a properly grounded outlet box cover. Whenever the adaptor is used, it must be held in place by the metal screw.





C08AF5X01