



**S-600 Yeti
Snow Machine
User Manual**
- English
- 中文



1. Introduction	1
2. Safety Information.....	1
3. Package Contents & Inspection.....	2
4. Machine Details.....	3
5. Technical Label Information.....	3
6. Snow Fluid.....	3
7. Setting and Manual Operation.....	4
8. Control Settings	4
9. Machine Status Description.....	6
10. DMX Connection	6
11. RDM Function.....	7
12. WTR-20 Wireless Remote (Standard).....	7
13. TIMO-WTR-90 W-DMX Add-on Module (Optional)	8
14. SC-4 Cable Remote (Optional).....	9
15. S-600-BH 5 Liter Bottle Holder without Bottle (Optional).....	9
16. S-600-TKC 20L Tank Cap Assembly w/5M Fluid Tube (Optional).....	9
17. Service and Maintenance.....	10
18. Technical Specifications	11
19. Warranty Disclaimer.....	11
20. Machine Dimension.....	11
1. 前言	12
2. 安全注意事項	12
3. 包裝內容與檢查.....	13
4. 機器訊息	14
5. 技術標籤資訊.....	14
6. 雪花水.....	14
7. 設定與手動操作說明	15
8. 控制設定	15
9. 機器狀態說明	17
10. DMX 說明.....	17
11. RDM 功能.....	18
12. WTR-20 無線控制器(標配)	19
13. TIMO-WTR-90 無線 DMX 擴充模組(選配).....	19
14. SC-4 有線控制器(選配)	20
15. S-600-BH 5 公升油桶座不含油桶(選配).....	20
16. S-600-TKC 20 公升油桶蓋組合 5 米油管(選配).....	21
17. 維護和保養	21
18. 技術規格	22
19. 保固聲明	22
20. 機器尺寸圖	22
Appendix I – Grounding Instruction.....	23






User Manual

1. Introduction

Please read all the user manual before operating the machine, and place the manual where the user can refer to it at all time. The manual includes how to install and operate the machine under safe condition and explain all the labels printed on the machine. If you encounter any problem, contact your local Antari dealer for assistant immediately.

2. Safety Information

	DANGER	If the danger is not avoided, it will cause death or serious injury
	WARNING	If the warning is not heeded, it can cause death or serious injury.
	CAUTION	If the precaution is not taken, it may cause minor or moderate injury.



DANGER

- Must connect the machine to the correct rated voltage or it might lead to an electrical shock or a burn and may cause serious consequences.
- Must connect the machine to a protected circuit and ensure it is properly grounded to avoid the risk of electrocution. For grounding instruction, please refer to Appendix I on page 23.
- Do not operate the machine with a bundled power cord, it could lead to a fire hazard.
- When operating the machine, do not point at people, animals, or fire.



WARNING

- Please operate the machine on a flat, level hard and well ventilated surface area, reserve at least 50cm space around the machine and make sure there is no flammable gas or material nearby.
- Do not disassemble, repair or modify the machine, it may cause damages, malfunction, risk of electrical shock or result in fire.
- The machine can only be operated by adults or professionals, is not intended for use by person with reduced physical sensory, mental capabilities, or lack of experience and knowledge including children.
- Do not leave the machine running unattended, make sure all powers are off when leaving.
- Children should be supervised to ensure that they do not play with the machine.
- Do not use the machine upside down or tilt it, it might cause damages or malfunction.
- Please store the fluid inside in a well ventilated area without direct sunlight and keep out of reach of children. In case of eye contact or accidentally swallow the fluid, please seek medical attention immediately.



CAUTION

- Keep the machine dry at all time. The machine is not waterproof, do not expose the machine to water, rain, or moisture environment.
- Please make sure the power outlet is not damaged or loose before plug in the power cord.
- If the power cord is damaged, it must be replaced by Antari or its local dealers, otherwise the warranty will be void.
- Before operating the machine, please sure the fluid is filled in the fluid tank to avoid the pump in idling state which could lead to overheat or malfunction.
- Before transporting the machine, please make sure the fluid is drained and tank is empty. (Recommend using

- original package)
- The machine is for indoor use only.
- Do not operate the machine in any area with unstable voltage.
- If you experience strange sound or malfunction, turn off the power and unplug the power cord immediately and contact your local Antari dealer for assistant.
- Do not contact any moving part.
- Only use accessories recommended or sold by Antari.
- Please make sure the power is off when not using the machine and unplug the power cord if not intend to use for a long period of time.
- To disconnect, turn all controls to the off position, then remove plug from outlet.
- Do not unplug by pulling on cord. To unplug, grasp the plug, not the cord.
- Unplug from outlet before servicing or cleaning.
- Do not operate the machine with a damaged cord or plug, or after the machine malfunctions or is dropped or damaged in any manner. Return machine to the nearest authorized service facility for examination, repair, or electrical or mechanical adjustment.
- To ensure the lifespan of the machine, please only use the fluid manufactured by Antari, do not use other fluid or additive, otherwise it may cause malfunction.

Before operating the machine, please read all warning labels on the machine, description as below:

Rear Cover Printing

WARNING!

DISCONNECT POWER BEFORE CHANGING FUSE.

USE ONLY WITH ADULT SUPERVISION.

DO NOT OPERATE WITHOUT LIQUID.

FOR INDOOR USE ONLY. KEEP DRY.

NO USER SERVICEABLE PARTS INSIDE.

3. Package Contents & Inspection

Immediately upon receiving the machine, carefully unpack the carton, check the content to ensure it is the correct model and all parts are included. If any part appears to be damaged or missing during transportation, please contact your local dealer and return in original package for inspection.

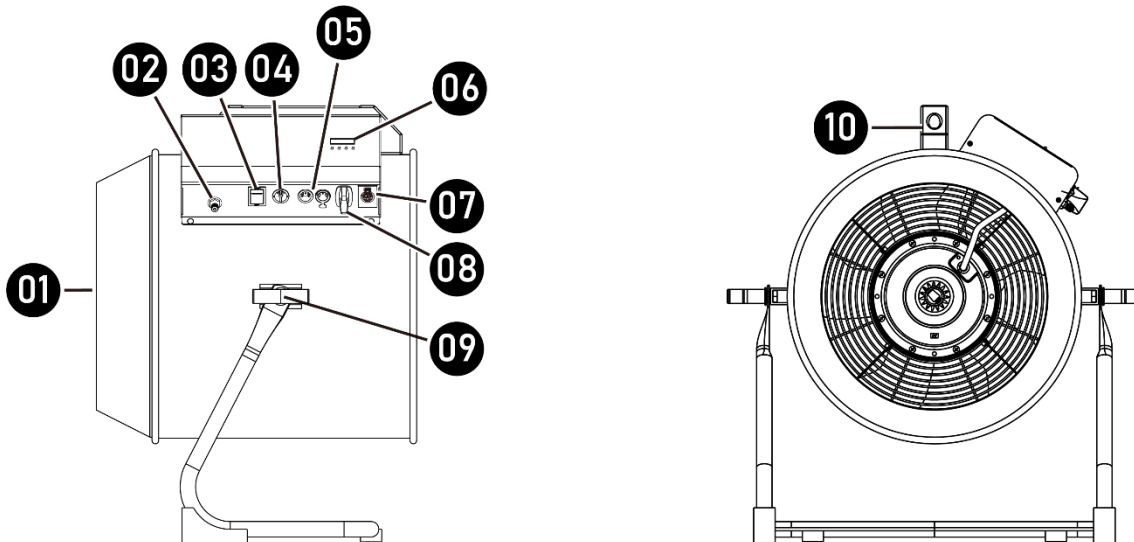
3.1 Package Contents

- 1 x S-600 Yeti Snow Machine
- 1 x WTR-20 Wireless Remote
- 1 x Neutrik powerCON Power Cable
- 1 x 5M Fluid Tube with Filter
- 1 x Hanging Bracket
- 1 x User Manual or Scan QR Code on the Machine

3.2 Optional Accessories

Item Code	Description
SC-4	Cable Remote
TIMO-WTR-90	W-DMX Add-on Module
S-600-BH	5-Liter Bottle Holder w/o Bottle
S-600-TKC	20 Liters Tank Cap Assembly w/5M Fluid Tube

4. Machine Details



01. Nozzle	06. Digital Control Interface
02. Fluid Tube Connector	07. XLR 4-Pin Connector (Remote)
03. 2 in 1 Power Switch	08. W-2 Wireless Receiver
04. Neutrik powerCON Connector (Power)	09. T-Shape Handle
05. XLR 5-Ping Connector (DMX)	10. Handle

5. Technical Label Information

Please read the technical label information on the back of the machine before operating it.

1. Model Name	5. Breaker/Fuse
2. Input Voltage	6. QR CODE for User Manual
3. Frequency	7. Serial No.
4. Rated Power	

6. Snow Fluid

	CAUTION	Always turn off the power before filling the fluid tank. Do not add flammable liquid to the fluid tank. If fluid gets inside the machine, please contact your local Antari dealer for assistant.
--	----------------	--

- Only the snow fluid manufactured by Antari can be used, do not mix or dilute the snow fluid.
- The machine is tested and calibrated with the specific snow fluid to get the best performance.
- Please empty the fluid in the tank before switching to another fluid to avoid mixing.
- The warranty on your snow machine will be void if you use snow fluid not manufactured by Antari.

7. Setting and Manual Operation



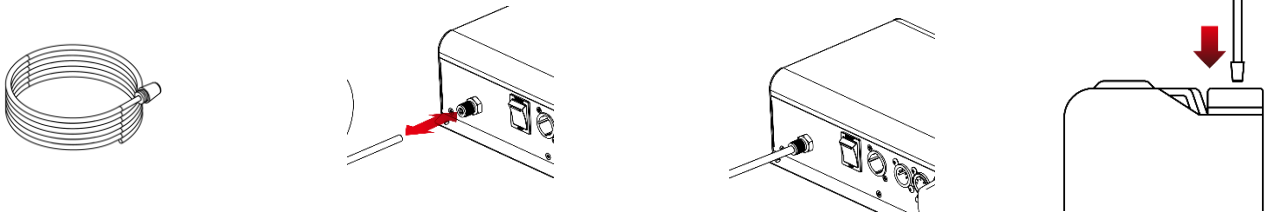
WARNING

Machine falling off might cause serious injury, please make sure it is secure and firm on the overhead.

- Step 1.** Place the machine on a flat, level hard and well ventilated surface area and reserve at least 50cm open space around the machine, and make sure there is no flammable gas or material nearby;
- Step 2.** Fill the fluid tank with Antari approved snow fluid;
- Step 3.** Connect the 5M fluid tube to machine and put the filter into the fluid tank; (Please see graph below)
- Step 4.** Plug the machine to the power outlet. Please read the technical label on the back of the machine and make sure the power outlet has the correct rated voltage for the machine;
- Step 5.** Turn on the power, press [TIMER] button to start snowing and press [STOP] to stop snowing;
- Step 6.** Or turn on the power, press [VOLUME] button to start snowing and press [STOP] to stop snowing;
- Step 7.** To turn off the power, please make sure the machine is not operating. If you will not use the machine a long period of time, please unplug the power cord.

***The motor of S-600 continues running for about 5 seconds after pressing [STOP] button, please turn off the power after the motor stop running.

Connecting Fluid Tube Instruction:

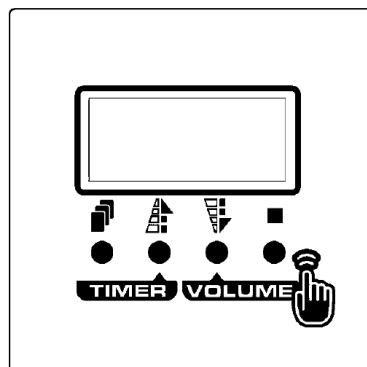


8. Control Settings







S-600 Yeti Snow Machine can be operated in the following modes. The machine can only accept 1 type of signal at a time.

- Manual
- Timer
- DMX512
- W-DMX
- Wireless
- Cable Remote

8.1 Control Panel Description



S-600 Yeti Snow Machine can be operated with the onboard digital control interface.

Button	Operating Method	Function
	Press	To enter and scroll through setting menu
	Press	Increase value/Up (In the Menu)
	Press	Decrease value/Down (In the Menu)
	Press	Press to active timer function (Ready Status)
	Press	Press to active volume function (Ready Status)
	Press	Stop/Confirm/Return

8.2 Menu Options Description

Menu	Description								
Interval xxx min.	Set Interval Time from 1 - 240 minutes								
Duration xxx Sec	Set Duration Time from 5 - 999 seconds								
Volume Out xxx%	Set Output Volume from 0 - 100%								
Blower xxx%	Set blower output from 0 to 100% to adjust snowflake size. The smaller output, the bigger snowflake.								
Fan Speed xxx%	Set fan speed from 0 to 100%								
DMX512 Add: xxx	DMX-512 Address: 001-510								
Wireless On/Off	Turn ON/OFF Wireless Function								
Run Last Set On/Off	Turn ON/OFF Memory Mode (Turn ON, the machine will remember last setting)								
Link Mode Wired/Wireless	Link Mode : Wired / Wireless								
W-DMX Unlink?	Wireless DMX Linking : Linking cancelled								
W-DMX ---	Wireless DMX status <table border="1"> <tbody> <tr> <td>W-DMX ok</td> <td>W-DMX Transmitter assigned, DMX signal received.</td> </tr> <tr> <td>No DMX</td> <td>W-DMX transmitter assigned, No DMX signal</td> </tr> <tr> <td>TX Lost</td> <td>W-DMX link lost or linking to transmitter</td> </tr> <tr> <td>Unassign</td> <td>W-DMX Transmitter not assigned</td> </tr> </tbody> </table>	W-DMX ok	W-DMX Transmitter assigned, DMX signal received.	No DMX	W-DMX transmitter assigned, No DMX signal	TX Lost	W-DMX link lost or linking to transmitter	Unassign	W-DMX Transmitter not assigned
W-DMX ok	W-DMX Transmitter assigned, DMX signal received.								
No DMX	W-DMX transmitter assigned, No DMX signal								
TX Lost	W-DMX link lost or linking to transmitter								
Unassign	W-DMX Transmitter not assigned								
UID 1ED8 06020001	Product UID Code								
Run Time 0000000H	Accumulated Snowing time : 0 - 9999999 hour								
W. Remote Pair/Upair	Wireless Transmitter : Pair / Unpaired								
KeySound Set On/Off	Keypad Sound : On / Off								
Backlite AlwaysOn/AutoOff	Screen Backlite: Always On /Auto Off								
Default Proceed?	Reset to factory settings								

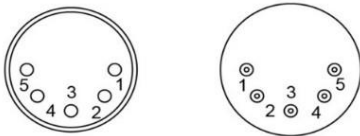
9. Machine Status Description

Screen	Description
S-600 v1.0	Software Version
AC Input AC-XXX	Input Voltage
Ready To Snow	Machine is ready to make snow.
Remote Out xxx%	SC-4 wired remote operating (only shows when SC-4 is connected)
Volume Out xxx%	Running at volume mode
Interval xxx min	Running at timer mode, Interval time
Duration xxx sec	Running at timer mode, Duration time
DMX-512 Add: xxx	Current DMX 512 channel
Priming 100%	Activate pump at maximum output
Wrong Voltage!	Wrong input voltage
AC Power Failure	AC Power Failure

10. DMX Connection

10.1 DMX Connector Pin Assignment

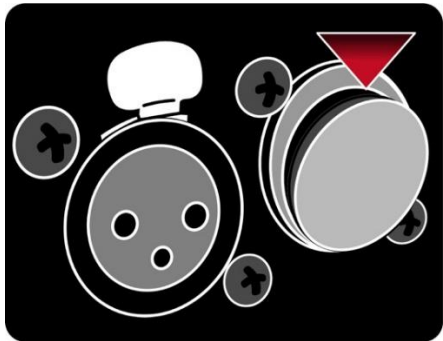
The machine has a 5-Pin for DMX connection. The diagram below indicates pin assignment information.



5 Pin XLR

Pin	Function
1	Ground
2	Data-
3	Data+
4	N/A
5	N/A

The cap on the DMX IN port is a protection cover. Please remove it with your finger before operation.



10.2 DMX Setting

Channel 1	DMX Value Range	Function
Snow Output Volume	0 – 5	Snow off
	6 – 255	Snow Output 0 – 100%
Channel 2	DMX Value Range	Function
Blower Output	0 – 5	Blower off
	6 – 255	Blower Output 0 – 100%
Channel 3	DMX Value Range	Function
Fan Output	0 – 5	Fan off
	6 – 255	Fan Output 0 – 100%

11. RDM Function

The S-600 Yeti Snow Machine is RDM enabled, allowing control system to configure, monitor and manage. See below table for supported RDM parameters.

GET Allowed	SET Allowed	Category	RDM Parameter ID's (Slot 21-22)	Value	Required
		Network Management	DISC_UNIQUE_BRANCH	0x0001	O
			DISC_MUTE	0x0002	O
			DISC_UN_MUTE	0x0003	O
O		RDM Information	QUEUED_MESSAGE	0x0020	
O			SUPPORTED_PARAMETERS	0x0050	O
O			PARAMETER_DESCRIPTION	0x0051	O
O		Product Information	DEVICE_INFO	0x0060	O
O			PRODUCT_DETAIL_ID_LIST	0x0070	
O			DEVICE_MODEL_DESCRIPTION	0x0080	
O			MANUFACTURER_LABEL	0x0081	
O	O		DEVICE_LABEL	0x0082	
O			SOFTWARE_VERSION_LABEL	0x00C0	O
O	O	DMX512 Setup	DMX_PERSONALITY	0x00E0	
O			DMX_PERSONALITY_DESCRIPTION	0x00E1	
O	O		DMX_START_ADDRESS	0x00F0	O
O			SLOT_INFO	(0x0120)	
O			SLOT_DESCRIPTION	(0x0121)	
O			DEFAULT_SLOT_VALUE	(0x0122)	
O		Sensors	SENSOR_DEFINITION	0x0200	
O	O		SENSOR_VALUE	0x0201	
O			DEVICE_HOURS	0x0400	O
O	O	Control	IDENTIFY_DEVICE	0x1000	O

12. WTR-20 Wireless Remote (Standard)

WTR-20 Wireless Remote is a standard accessory for S-600 Yeti Snow Machine, it included a W-2 wireless transmitter and a W-2 wireless receiver (Already on the machine) and it's ready to use. If you encounter any problem, please contact your local Antari dealer for assistant.

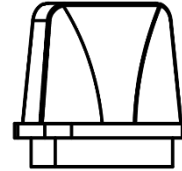
12.1 W-2 Wireless Transmitter & Receiver

- Battery : 27A 12V
- Effective Range : The effective range is approximately 50m, depends on actual condition, it may vary.
- W-2 wireless transmitter has 4 buttons, each function as follow:

Button	Function
[A]	Press Once: Start Press & Hold for 2 secs: Turn off power
[B]	Adjust Snow Output Range: 0/20/40/60/80/100%
[C]	Adjust Motor Output Range: 0/20/40/60/80/100%
[D]	Adjust Fan Output Range: 0/20/40/60/80/100%



W-2 Wireless Transmitter



W-2 Wireless Receiver
(On the Machine)

12.2 Pair & Unpair

Each receiver can pair up to 5 transmitters, please follow the steps below to pair or unpair;

Step 1. Press [MENU] button and select [Setting], find Screw the menu until [W.Remote] shows on display;

UP: Pair
DOWN:Unpair

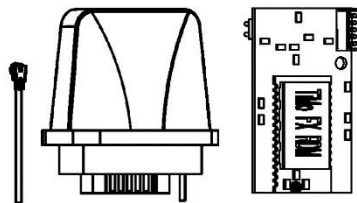
Step 2. Press [UP] button to select [Pair] then press [STOP] button, and press any button on W-2 transmitter to pair it;

Step 3. Please repeat Step 2 to pair multiple transmitters;

Step 4. To unpair, repeat Step 1 and press [DOWN].

13. TIMO-WTR-90 W-DMX Add-on Module (Optional)

TIMO-WTR-90 W-DMX Add-on Module is an optional accessory for S-600 Yeti Machines. This is for wireless ready machine wanting to add W-DMX function. Please see installation manual for details. If you encounter any problem, please contact your local Antari dealer for assistant. The Wireless DMX Control supports both CRMX and W-DMX protocols



14. SC-4 Cable Remote (Optional)



SC-4 Cable Remote is an optional accessory for S-600 Yeti Snow Machine, please see instruction below;

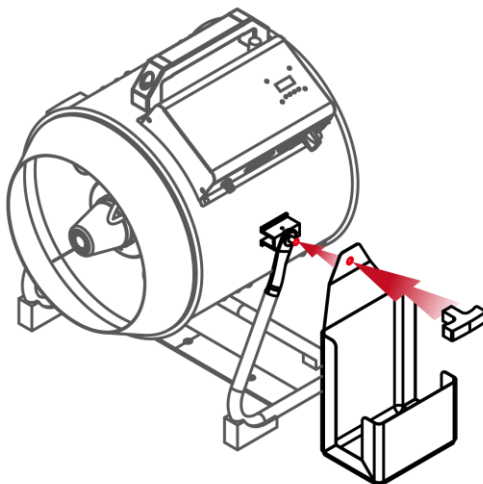
Button/Knob	Function
SNOW VOLUME [KNOB]	Adjust Snow Output
BLOWER SPEED [KNOB]	Adjust Motor Output
FAN SPEED [KNOB]	Adjust Fan Output
TIMER [YELLOW BUTTON]	Active Timer Mode
POWER [RED BUTTON]	Power On/Off
MANUAL [GREEN BUTTON]	Max. Snow/Motor/Fan Output

Note:

- ** You must turn on the power of the remote in order to use it.
- ** MANUAL [GREEN BUTTON] is meant for priming use, when use the machine for the first time, using a new tank of fluid or refill the fluid may not pump properly due to airlock in the tube, you can use this function to activate pump and fan at maximum output and force the air out the tube.
- ** If you encounter any problem, please contact your local Antari dealer for assistant.

15. S-600-BH 5 Liter Bottle Holder without Bottle (Optional)

S-600-BH 5 Liter Bottle Holder is an optional accessory for S-600 Yeti Snow Machine, please see installation procedure below;

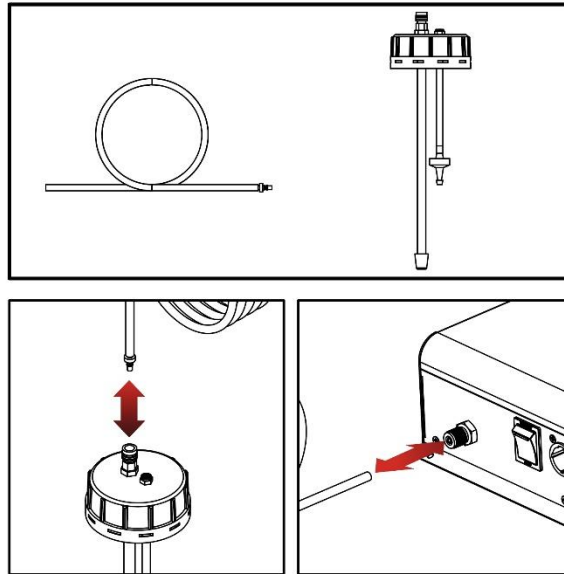


- Step 1. Release the T Shaped Handle on S-600;
- Step 2. Install the 5 Liter bottle holder;
- Step 3. Screw the T Shaped Handle back to tightly.

16. S-600-TKC 20L Tank Cap Assembly w/5M Fluid Tube (Optional)

S-600-TKC 20L Tank Cap Assembly w/5M Fluid Tube is an optional accessory for S-600 Yeti Snow Machine, please see

installation procedure below;



17. Service and Maintenance

	DANGER	Disconnect the power cord before starting maintenance operation!
--	---------------	--

- Always keep the machine clean and dry.
- Can use an air compressor, a vacuum or a soft brush to remove the dust on the machine.
- Can use a slightly damp cloth to clean the casing.
- Before store or after each use of the machine, pump pure water through the system for at least 1-2 minutes, this will help clean the snow fluid residue and extend the lifespan on the pump and the machine.
- It is recommended to run the machine at least once a month in order to maintain its best performance and output condition.
- Excessive dust and build up liquid residue will reduce the performance and cause overheat.

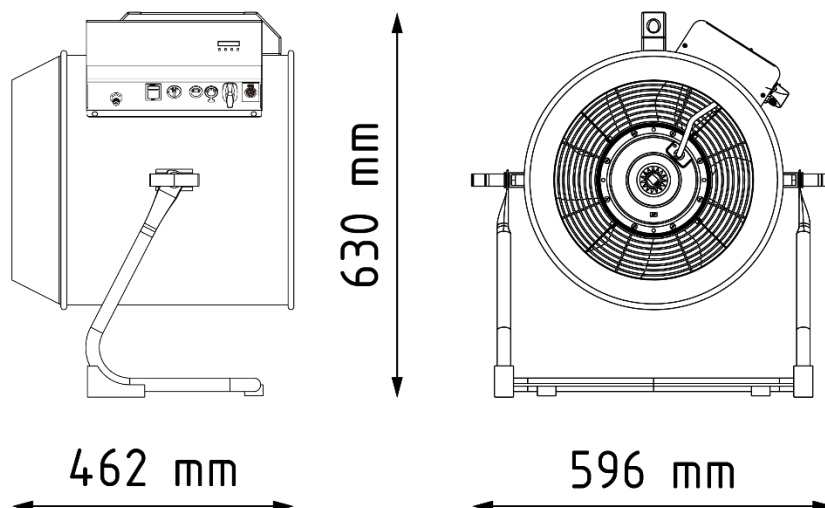
18. Technical Specifications

S-600	
Rated Voltage	US Model: AC 100-120V, 50/60Hz 10.0A EU Model: AC 220-240V, 50/60Hz 5.0A
Rated Power	1200W
Fluid Consumption	400 ml/min (100% output)
Fluid Tank Capacity	N/A
Compatible Fluid	Antari SL-N Snow & Foam Fluid (New Formula) 、 Antari SL-AN Premium Snow Fluid (New Formula) 、 Antari SL-H Super Dry Snow Fluid 、 Antari SL-C Anti-Freezing Snow Fluid 、 Antari SL-UV UV Snow Fluid
Ambient Temp. Range	5°C – 40°C (41°F – 104°F)
Control Methods	Manual 、 Timer 、 DMX512 、 Wireless 、 W-DMX (Optional) 、 Cable Remote (Optional)
Interface	XLR 5-Pin Connector (DMX) 、 XLR 4-Pin Connector (Remote) 、 Neutrik powerCON (Power)
DMX Channels	3 Channel
Included Accessories	WTR-20 Wireless Remote 、 5M Fluid Tube with Filter 、 Hanging Bracket
Optional Accessories	TIMO-WTR-90 W-DMX Add-on Module 、 SC-4 Cable Remote 、 S-600-BH Bottle Holder (w/o bottle) 、 S-600-TKC 20 Liter Tank Cap assembly w/5M Fluid Tube
Dimension	L 462 W 596 H 630 mm (L 18.19 W 23.47 H 24.81 inch)
Weight	24.0 kg (52.90 lbs.)

19. Warranty Disclaimer

We guarantee the merchandise manufactured by us to be free from defect in material and workmanship for a period of one year. Our obligation and liability under this warranty shall be restricted to repair or replacement at our factory or local authorized dealer. We assume no liability of the products that are improperly used or used for any purpose other than that for which they are specially designed. This warranty shall not apply to any merchandise which has been repaired, altered or assembled outside our factory in any way so as in our judgment to affect its performance, nor which has been subjected to misuse, negligence, or accident nor to any merchandise operated contrary to our printed instructions. We will not allow or be liable of any loss or any damages of any kind in connection with the use, sale, or repair of any merchandise purchased from us.

20. Machine Dimension








中文使用說明書

1. 前言

在操作本機器之前，請務必仔細詳閱本說明書然後請將本說明書放置在機器使用者可隨時查閱之處存放。此說明書包含如何安全的安裝及操作本機器以及說明所有在機器上的標示。如果您有任何操作上的問題，請立即聯繫當地的 Antari 經銷商尋求協助。

2. 安全注意事項

	危險	若不確實避免這些指示，可能導致嚴重人身傷害甚至死亡。
	警告	若不確實遵循這些指示，可能導致嚴重人身傷害甚至死亡。
	注意	若不確實注意這些指示，可能導致人身傷害甚至死亡，嚴重程度視情況而定。

危險

- 請務必使用正確電壓。如果使用錯誤電壓，可能會遭受危險的電擊燒傷或更嚴重的後果。
- 請務必將機器連結到有保護的電路，並確保有正確的接地，以避免觸電的危險。關於接地方式請參考第 23 頁附錄 I。
- 請勿在捆綁電源線的情況下使用，可能會發熱導致火災。
- 操作機器時請勿將機器對著人體、動物或火焰使用。

警告

- 請於堅固、平坦、穩定且通風良好的表面上使用機器。請勿遮蓋機器散熱部份，機器周邊至少應保留 50 公分的空間並確認附近沒有易燃性物質或可揮發性氣體。
- 請勿隨意拆卸、修理或改造機器，這可能會導致機器故障、損壞、觸電危險或造成火災。
- 本機器僅限有行為能力之成人或專業人員操作，不預期提供生理、感知、心智能力、經驗或知識不足者之使用者(包含孩童)使用本機器。
- 請勿在無人看管時讓機器運作，並於外出離去時確實關閉電源。
- 孩童應受監督，以確保孩童不能操作或嬉戲玩本機器。
- 請勿將機器放倒或傾斜使用，可能導致機器動作不正常或損壞。
- 請將液體存放在室內孩童無法取得之處，保持通風及避免陽光直射。如果有觸碰眼睛或誤食機器，請立即尋求醫生的協助。

注意

- 本機器無防水設計，請隨時保持機器乾燥，嚴禁將其潑水、浸水、淋雨或放在潮溼的環境。
- 在插入電源插座前，請確認電源插座無損壞或鬆動。
- 若電源線損壞，必須使用原廠電源線或組件進行更換，否則將導致保固無效。
- 請在使用機器之前，先填裝好雪花水，避免機器幫浦空轉過熱造成損害。機器在搬運前或使用完畢後，請清空油桶。

- 在運輸本機器前，請確認機器的油桶已清空並且包裝完整。(建議使用原廠包裝)
- 本產品僅限室內使用。
- 請勿在電壓不穩定的地區使用本機器。
- 如果機器出現異常聲音或有任何不正常現象時，請立即停止工作，將電源關閉及拔下機器電源線，並請聯繫當地的 Antari 經銷商尋求協助。
- 請勿觸碰機器內部運轉零件。
- 只能使用原廠建議或販售之配件。
- 請確認機器不在使用的狀態下電源已關。如果長時間不使用機器，請拔掉電源線。
- 關閉機器時，將控制開關轉到關閉的位置，然後再將插頭從插座拔除。
- 拔除電源線時，請抓住插頭不是電線。
- 在保養及清潔前，請把電源線從插座拔除。
- 在電線或插座有損毀、機器故障或有掉落或損壞的情形發生時，請勿操作機器。請將機器送回最近的維修站，做檢查、維修及電源或機械的調整。
- 為確保機器的使用壽命，請使用 Antari 原廠製造之雪花水，勿使用其它非 Antari 原廠製造雪花水或添加劑，否則可能會導致故障。

在使用本機之前，請詳細閱讀機器上的警語標示，說明如下：

後蓋印刷

WARNING! 警告!

DISCONNECT POWER BEFORE CHANGING FUSE. 更換保險絲前請務必斷開電源

USE ONLY WITH ADULT SUPERVISION. 僅在成人監督下使用

DO NOT OPERATE WITHOUT LIQUID. 請勿在沒有液體的情況操作本機台

FOR INDOOR USE ONLY. KEEP DRY. 僅限室內使用 請保持乾燥

NO USER SERVICEABLE PARTS INSIDE. 內部無使用者可維修之零配件

3. 包裝內容與檢查

在收到機器後，請立即小心地打開包裝紙箱，檢查所有內容，確認您所購買的機型及配件。如果有任何部件因運輸過程出現損壞或缺少，請立即連絡經銷商，並以原包裝退回檢查。

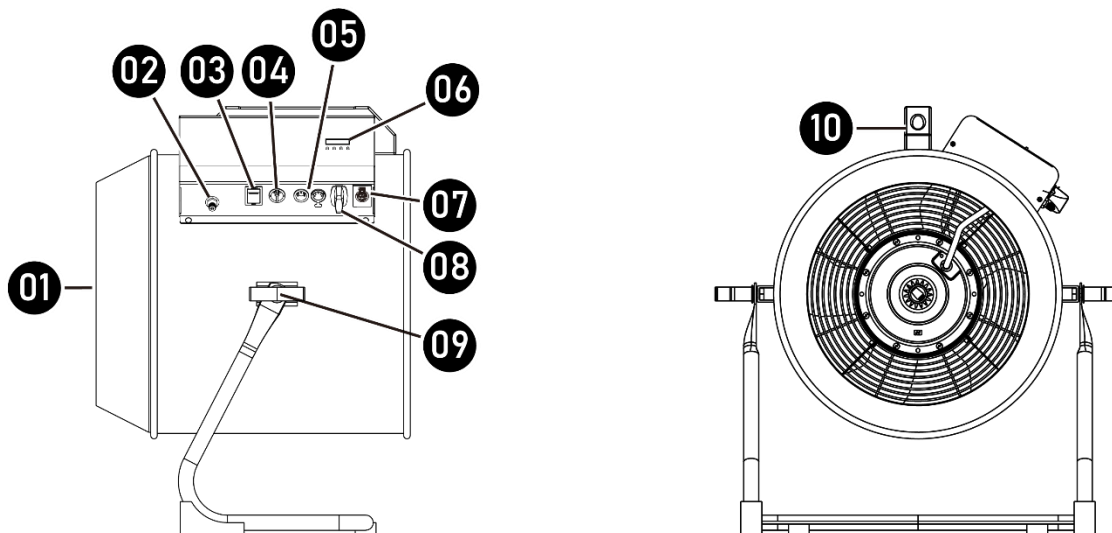
3.1 包裝內容

- 1 x S-600 Yeti 雪花機
- 1 x WTR-20 無線控制器
- 1 x Neutrik powerCON 電源線
- 1 x 5 米長油管含濾嘴
- 1 x 吊架
- 1 x 說明書或掃描機身 QR CODE

3.2 選配說明

品項	描述
SC-4	有線控制器
TIMO-WTR-90	無線 DMX 擴充模組
S-600-BH	5 公升油桶座不含油桶
S-600-TKC	20 公升油桶蓋組含 5 米油管

4. 機器訊息



01. 噴雪口	06. 數位控制面板
02. 油管連接頭	07. XLR 4-Pin 連接頭(控制器)
03. 2 合 1 電源開關	08. W-2 無線接收器
04. Neutrik powerCON 連接頭(主電源)	09. T 型手把
05. XLR 5-Pin 連接頭(DMX)	10. 把手

5. 技術標籤資訊

使用本機器前，請詳閱技術標籤上的訊息

1. 機器型號	5. 斷路器/保險絲
2. 工作電壓	6. 說明書 QR CODE
3. 頻率	7. 機器流水序號
4. 瓦特數	

6. 雪花水

	危險	將液體加入機器之前，請務必先拔除電源線。請勿添加易燃液體。如果發現液體流入機器內部，請洽 Antari 原廠或其經銷商尋求協助。
--	-----------	--

- 僅能使用 Antari 原廠製造之雪花水，不可混用或稀釋。
- 本機器是使用專屬的雪花水做測試與校正來取得最佳的效能。
- 如需更換另一種液體，請在使用前，先將油桶中的液體清空，以避免混合。
- 如果使用非原廠製造之雪花水而導致雪花機損壞將不在保固範圍內。

7. 設定與手動操作說明



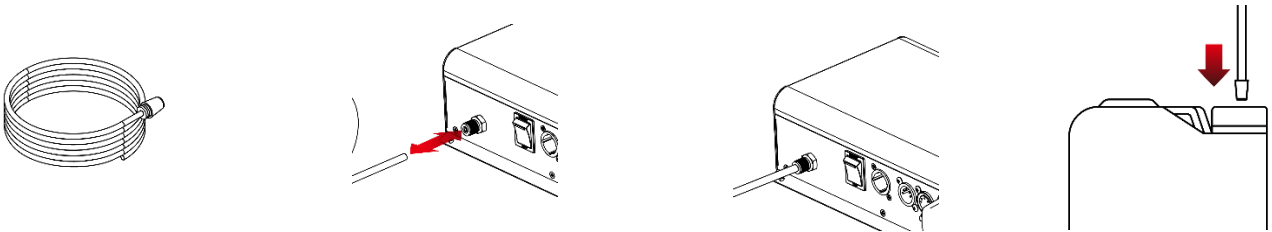
警告

機台掉落可能會造成嚴重傷害，請確保本機台安裝牢固且不會掉落。

- 步驟1. 將機器平放在堅固、平坦、穩定且通風良好的表面上，機器周圍至少應保留 50 公分的空間並確認附近沒有易燃性物質或可揮發性氣體；
- 步驟2. 使用 ANTARI 原廠雪花水；
- 步驟3. 請將隨附的 5 米油管接到機器上的油管接口，並將濾嘴端放入採購的雪花水桶中(請注意不要折到油管)；
- 步驟4. 將機器連接電源，連接之前，確認機器背後技術標籤上所標示要求功率，是否與電源插座相符；
- 步驟5. 開啟電源，按下[TIMER]鍵開始噴雪，按下[STOP]鍵停止噴雪；
- 步驟6. 或按下[VOLUME]鍵開始噴雪，按下[STOP]鍵停止噴雪；
- 步驟7. 需關閉本機時，請確認機器已停止運轉，再將電源開關關閉即可，長時間不使用時請移除電源線。

***當雪花機停止輸出時，馬達會在運行 5 秒才會停止，待馬達停止後，才能關閉機器。

連接油管方式：

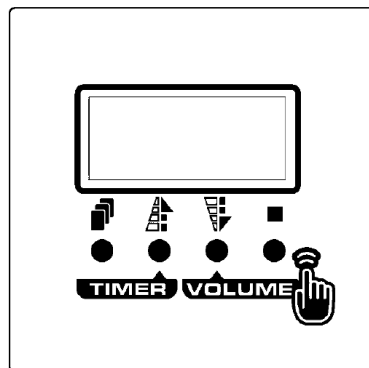


8. 控制設定

S-600 Yeti 雪花機可以使用下列操作模式，機器每次接受一種訊號

- 手動控制
- 定時控制
- DMX512
- 無線 DMX
- 無線控制
- 有線控制

8.1 控制面板說明



S-600 Yeti 雪花機可以使用機器上的數位控制面板來操作。

按鈕	操作方式	功能
	按	進入選單畫面及瀏覽
	按	增加數值 / 上 (在選單中)
	按	減少數值 / 下 (在選單中)
	按	啟動”TIMER”模式(Ready 狀態)
	按	啟動”VOLUME”模式(Ready 狀態)
	按	停止/確認/返回

8.2 選單說明

選單	說明								
Interval xx min	設定時間間隔 1 - 240 分鐘。								
Duration xxx min	設定雪花輸出時間 1 - 999 秒。								
Volume Out xxx%	設定雪花輸出量 0 - 100%。								
Blower xxx%	設定雪花機馬達轉速：0 至 100%。 可調整落雪顆粒大小。0% 顆粒最大；100% 顆粒最小。								
FanSpeed xxx%	設定大風扇輸出量：0 至 100%。								
DMX512 Add: xxx	DMX-512 位址: 001-510(本機佔用 3 頻道)。								
Wireless On/Off	開啟/關閉 無線功能								
Run Last Set On/Off	開啟/關閉 記憶模式(選擇 ON 機器會記錄最後一次設定)								
LinkMode Wired/Wireless	連接模式：Wired 有線 / Wireless 無線								
W-DMX Unlink?	無線 DMX 配對：取消連接								
W-DMX ---	無線 DMX 訊號狀態 <table border="1" data-bbox="518 1294 1332 1489"> <tbody> <tr> <td>W-DMX ok</td> <td>無線 DMX 發射器已對頻，接收到 DMX 訊號</td> </tr> <tr> <td>No DMX</td> <td>無線 DMX 發射器已對頻，但沒有 DMX 訊號</td> </tr> <tr> <td>TX Lost</td> <td>無線 DMX 發射器連接遺失/正在與發射器連接</td> </tr> <tr> <td>Unassign</td> <td>沒有對頻任何無線 DMX 發射器</td> </tr> </tbody> </table>	W-DMX ok	無線 DMX 發射器已對頻，接收到 DMX 訊號	No DMX	無線 DMX 發射器已對頻，但沒有 DMX 訊號	TX Lost	無線 DMX 發射器連接遺失/正在與發射器連接	Unassign	沒有對頻任何無線 DMX 發射器
W-DMX ok	無線 DMX 發射器已對頻，接收到 DMX 訊號								
No DMX	無線 DMX 發射器已對頻，但沒有 DMX 訊號								
TX Lost	無線 DMX 發射器連接遺失/正在與發射器連接								
Unassign	沒有對頻任何無線 DMX 發射器								
UID 1ED8 06020001	產品 UID 碼								
Run Time 0000000H	雪花機噴雪累計時間：0 - 9999999 小時								
W. Remote Pair/Upair	無線遙控：Pair 配對 / Unpair 取消配對								
KeySound Set On/Off	按鍵音：On 開啟 / Off 關閉								
Backlite AlwaysOn/AutoOff	LCD 背光：Auto Off 自動關閉 / AlwaysOn 常亮								
Default Proceed?	恢復原廠設置								

9. 機器狀態說明

面板畫面	說明
S-600 v1.0	機種版本
AC Input AC-XXX	使用電壓
Ready To Snow	噴雪就緒
Remote Out xxx%	線控器執行中(插上線控器 SC-4 時才會顯示此頁面)
Volume Out xxx%	手動噴雪執行中
Interval xxx min	定時噴雪執行_間隔時間
Duration xxx sec	定時噴雪執行_噴雪時間
DMX-512 Add: xxx	顯示目前通道位址
Priming 100%	強制抽油執行中
Wrong Voltage!	電源電壓輸入錯誤
AC Power Failure	AC 電源失常

10. DMX 說明

10.1 DMX 說明

本機可提供一個 XLR 5-PIN 的 DMX 連接頭選擇。下為 PIN 的接點說明：

Pin	功能
1	Ground
2	Data-
3	Data+
4	N/A
5	N/A

DMX IN 連接頭上的蓋子是一個保護蓋，操作前，請用手指撥開即可輕鬆地將其取下。

10.2 DMX 通道功能設定

通道 1	DMX 數值範圍	功能
雪花輸出量	0 – 5	關閉
	6 – 255	開啟，輸出 1 – 100%
通道 2	DMX 數值範圍	功能
雪花馬達轉速	0 – 5	關閉
	6 – 255	開啟，輸出 1 – 100%
通道 3	DMX 數值範圍	功能
風扇速度	0 – 5	關閉
	6 – 255	開啟，輸出 1 – 100%

11. RDM 功能

S-600 Yeti 配有 RDM 功能，讓使用者可以經由 DMX 網路使用 RDM 功能進行機台的設定、監控、管理。
RDM 支援參數表如下

GET Allowed	SET Allowed	Category 類別	RDM Parameter ID's (Slot 21-22)	Value	Required
		Network Management 網路管理	DISC_UNIQUE_BRANCH	0x0001	O
			DISC_MUTE	0x0002	O
			DISC_UN_MUTE	0x0003	O
O		RDM Information RDM 資訊	QUEUED_MESSAGE	0x0020	
O			SUPPORTED_PARAMETERS	0x0050	O
O			PARAMETER_DESCRIPTION	0x0051	O
O		Product Information 產品資訊	DEVICE_INFO	0x0060	O
O			PRODUCT_DETAIL_ID_LIST	0x0070	
O			DEVICE_MODEL_DESCRIPTION	0x0080	
O			MANUFACTURER_LABEL	0x0081	
O	O		DEVICE_LABEL	0x0082	
O			SOFTWARE_VERSION_LABEL	0x00C0	O
O	O	DMX512 Setup DMX512 設定	DMX_PERSONALITY	0x00E0	
O			DMX_PERSONALITY_DESCRIPTION	0x00E1	
O	O		DMX_START_ADDRESS	0x00F0	O
O			SLOT_INFO	(0x0120)	
O			SLOT_DESCRIPTION	(0x0121)	
O			DEFAULT_SLOT_VALUE	(0x0122)	
O		Sensors 感應器	SENSOR_DEFINITION	0x0200	
O	O		SENSOR_VALUE	0x0201	

GET Allowed	SET Allowed	Category 類別	RDM Parameter ID's (Slot 21-22)	Value	Required
O			DEVICE_HOURS	0x0400	O
O	O	Control 控制	IDENTIFY_DEVICE	0x1000	O

12. WTR-20 無線控制器(標配)

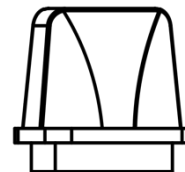
WTR-20 無線控制器包含一個 W-2 無線發射器及 W-2 無線接收器(已經安裝在機器上)，是 S-600Yeti 雪花機的標準配件，可以直接使用。如果遇到任何困難與問題，請與當地的 Antari 經銷商尋求協助。

12.1 W-2 無線發射器/接收器說明

- 發射器：使用 27A 12V 電池
- 收發距離：有效距離為 50 公尺，實際收訊狀況根據現場環境因素而有所不同。
- 如果發現有效距離明顯減少時，請更換電池。
- W-2 無線發射器配有 4 個按鈕，控制功能為：



W-2 無線發射器



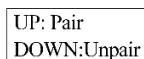
W-2 無線接收器
(在機器上)

按鈕	功能
[A] 鍵	短按：啟動功能 長按 2 秒以上：停止功能
[B] 鍵	雪花輸出量 可調範圍: 0/20/40/60/80/100%
[C] 鍵	雪花機馬達轉速 可調範圍: 0/20/40/60/80/100%
[D] 鍵	大風扇轉速 可調範圍: 0/20/40/60/80/100%

12.2 配對 & 取消配對

每個接收器可以配對最多五個發射器，請參考下列步驟進行配對與取消配對。

步驟 1：按[MENU]鍵進入選單[Setting]，選擇[W.Remote]無線控制配對設定畫面(如下);



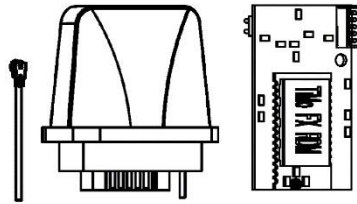
步驟 2：按 [UP] 按鍵選擇[Pair]，按[STOP]鍵後，再按下 W-2 無線發射器上的任何按鍵來完成配對;

步驟 3：如果要配對多個無線發射器，然後重複步驟 2 即可;

步驟 4：欲解除配對，重複步驟 1，按 [DOWN / 箭頭向下] 按鍵，選擇[Unpair]按鍵解除配對。

13. TIMO-WTR-90 無線 DMX 擴充模組(選配)

TIMO-WTR-90 無線 DMX 擴充模組是 S-600 Yeti 雪花機的選購配件。這是給已經具有無線功能的機器，需要增加無線 DMX 功能的模組。請參照安裝說明。如果遇到任何困難與問題，請與當地的 Antari 經銷商尋求協助。本機選購的無線 DMX 接收器可同時支援 CRMX 以及 W-DMX 協議



14. SC-4 有線控制器(選配)



SC-4 有線控制器是 S-600 Yeti 雪花機的選購配件，使用方法如下；

按鈕/旋鈕	功能
SNOW VOLUME [旋鈕]	調整雪花輸出量
BLOWER SPEED [旋鈕]	調整馬達速度，可調整落雪顆粒大小
FAN SPEED [旋鈕]	調整風扇速度
TIMER [黃色按鈕]	啟動定時模式
POWER [紅色按鈕]	控制器電源 開/關
MANUAL [綠色按鈕]	雪花/馬達/風扇 100%全量輸出

注意：

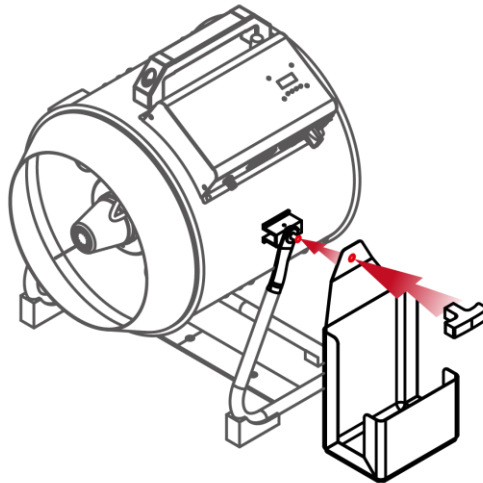
**務必開啟控制器電源才能使用。

** MANUAL [綠色按鈕]當新機第一次使用、換一個新的油桶或是添加雪花水後，幫浦可能因為油管中有空氣而無法順暢運作，此時可以使用此功能，將風扇與幫浦的輸出量設定到最大，藉此將油管中的空氣排出。

**如果有任何問題，請聯繫當地的 Antari 經銷商尋求協助。

15. S-600-BH 5 公升油桶座不含油桶(選配)

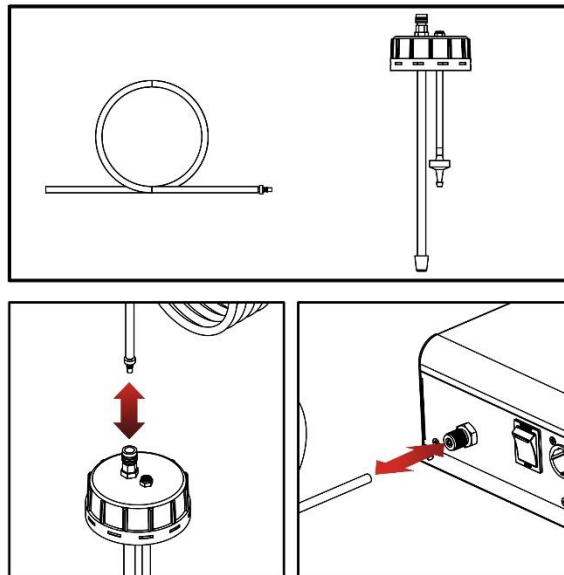
S-600-BH 5 公升油桶座是 S-600 Yeti 雪花機的選購配件，使安裝方法如下；




- 步驟 1. 將機器的 T 型手把鬆開;
- 步驟 2. 放上油桶座;
- 步驟 3. 將 T 型手把鎖回並轉緊。

16. S-600-TKC 20 公升油桶蓋組合 5 米油管(選配)

S-600-TKC 20 公升油桶蓋組是 S-600 Yeti 雪花機的選購配件，安裝方法如下;



17. 維護和保養

	危險	維修保養之前，請務必拔除電源線！
---	-----------	------------------

- 隨時保持機器清潔和乾燥。
- 可以使用空氣壓縮機、吸塵器或軟刷除去機器上的灰塵。
- 機殼可使用濕布擦拭。
- 儲藏前或使用完畢後，請在油桶內倒入清水，讓機器運行 1-2 分鐘，清潔機器內的殘餘雪花水，延長機器使用的壽命。
- 建議每月至少讓機器運轉一次，以保持機器處於最佳的性能和輸出條件。
- 機器上過多的灰塵、液體殘餘累積的髒污會降低機器工作性能，導至散熱不良。

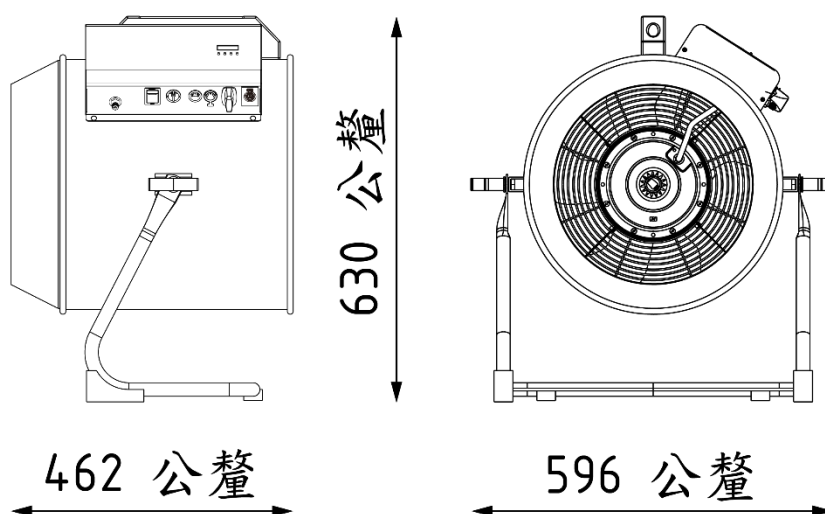
18. 技術規格

S-600	
電壓	美規：AC 100 - 120V, 50 / 60 Hz 10.0A 歐規：AC 220 - 240V, 50 / 60 Hz 5.0A
額定功率	1200 瓦
耗油量	400 毫升/分鐘 (100%輸出)
油桶容量	N/A
適用雪花水	Antari SL-N 新配方雪花水、Antari SL-AN 高揮發性雪花水、Antari SL-H 高發泡雪花水、Antari SL-C 抗凍雪花水、Antari SL-UV UV 雪花水
適用環境溫度	5°C – 40°C (41°F – 104°F)
控制方式	手動控制、定時控制、DMX512、無線控制、無線 DMX(選配)、有線控制(選配)
連接座	XLR 5-Pin 連接頭(DMX)、XLR 4-Pin 連接頭 (控制器)、Neutrik powerCON 連接頭(主電源)
DMX 512 通道	3 個頻道
隨附配件	WTR-20 無線控制器、5 米油管含濾嘴、吊架
選購配件	TIMO-WTR-90 無線 DMX 擴充模組、SC-4 有線控制器、S-600-BH 5 公升油桶架(不含油桶)、S-600-TKC 20 公升油桶蓋組含 5 米油管
尺寸	長 462 寬 596 高 630 公釐 (長 18.19 寬 23.47 高 24.81 英寸)
重量	24.0 公斤 (52.90 磅)

19. 保固聲明

本公司保證我們的商品在一年內沒有材料和製作缺陷。我們在本保證下的義務和責任僅限於在原廠或當地授權經銷商進行的維修或更換。我們對不當使用或用於非專門設計目的以外之用途不承擔任何責任。本保固不適用於以任何方式在原廠或當地授權經銷商外修理、改動或組裝的任何商品，以便我們判斷影響其性能，沒有受到誤用、疏忽或事故的影響，也沒有違反我們的任何商品操作印刷說明。本公司對於從我們這邊購買的商品不會允許也不對於使用、銷售或修理任何產品有關的任何類型的任何損失或損害承擔責任。

20. 機器尺寸圖

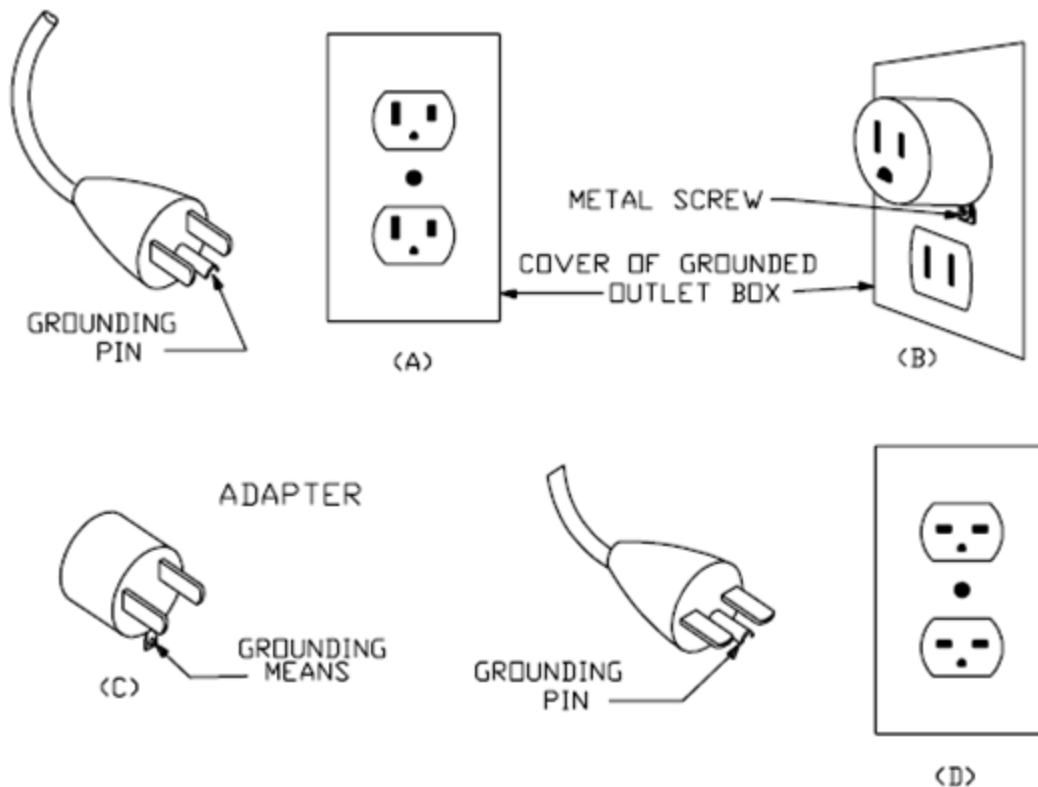


Appendix I – Grounding Instruction

This appliance must be grounded. In the event of malfunction or breakdown, grounding provides a path of least resistance for electric current to reduce the risk of electric shock. This appliance is equipped with a cord having an equipment-grounding conductor and a grounding plug. The plug must be plugged into an appropriate outlet that is properly installed and grounded in accordance with all local codes and ordinances.

DANGER – Improper connection of the equipment-grounding conductor can result in a risk of electric shock. The conductor with insulation having an outer surface that is green with or without yellow stripes is the equipment-grounding conductor. If repair or replacement of the cord or plug is necessary, do not connect the equipment-grounding conductor to a live terminal. Check with a qualified electrician or serviceman if the grounding instructions are not completely understood, or if in doubt as to whether the appliance is properly grounded. Do not modify the plug provided with the appliance – if it will not fit the outlet, have a proper outlet installed by a qualified electrician.

This appliance is for use on a nominal 120V circuit, and has a grounding plug that looks like the plug illustrated in sketch A in Figure. A temporary adaptor, which looks like the adaptor illustrated in sketches B and C, may be used to connect this plug to a 2-pole receptacle as shown in sketch B if a properly grounded outlet is not available. The temporary adaptor should be used only until a properly grounded outlet can be installed by a qualified electrician. The green colored rigid ear, lug, and the like, extending from the adaptor must be connected to a permanent ground such as a properly grounded outlet box cover. Whenever the adaptor is used, it must be held in place by the metal screw.





C08S60003