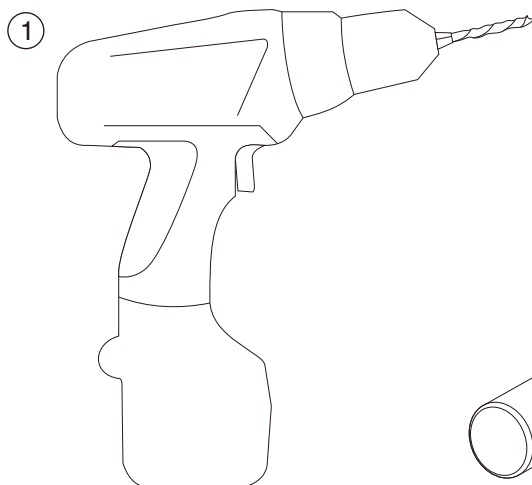
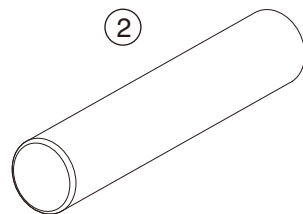


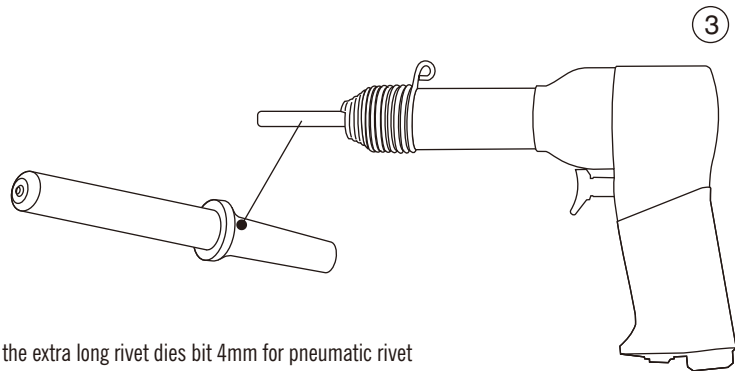
Tools required



Portable electric drill



Metal pipe solid with $\varnothing 10\text{mm}$



Use the extra long rivet dies bit 4mm for pneumatic rivet

Pneumatic Rivet set with Bucking Bars

	1 Set package spare part on section left	Rivet and Washer A short	Rivet and Washer B medium	Rivet and Washer C long
UDG Ultimate Slingbag Trolley Deluxe UDG Ultimate Slingbag Trolley Set Deluxe				
UDG Ultimate Slingbag Trolley Deluxe UDG Ultimate Slingbag Trolley Set Deluxe				
UDG Ultimate Trolley to go UDG Ultimate DIGI Trolley to go				
UDG Ultimate Trolley to go UDG Ultimate DIGI Trolley to go				

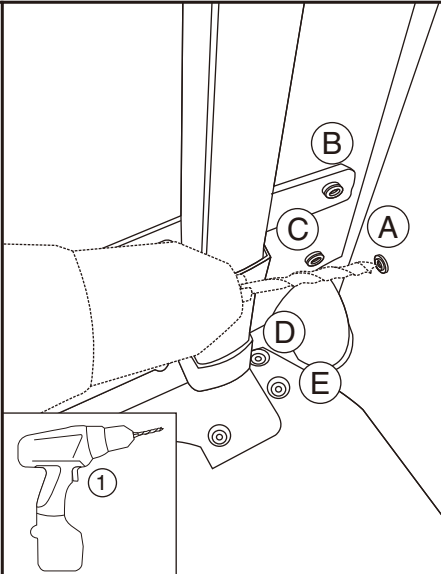
Casing assembly instruction

UDG Ultimate Trolley to go
UDG Ultimate DIGI Trolley to go

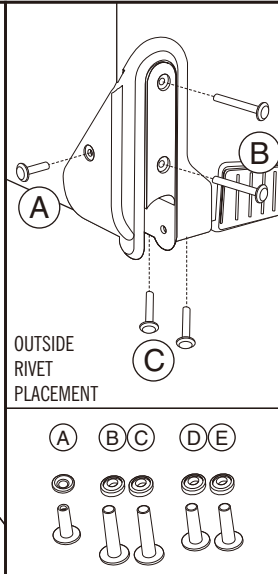
UDG Ultimate Slingbag Trolley Deluxe
UDG Ultimate Slingbag Trolley set Deluxe

We recommend that you have your trolley frame, wheels and/or casing replaced at a luggage repair facility

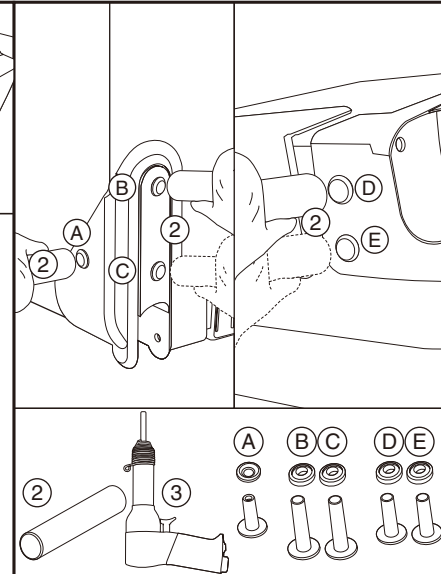
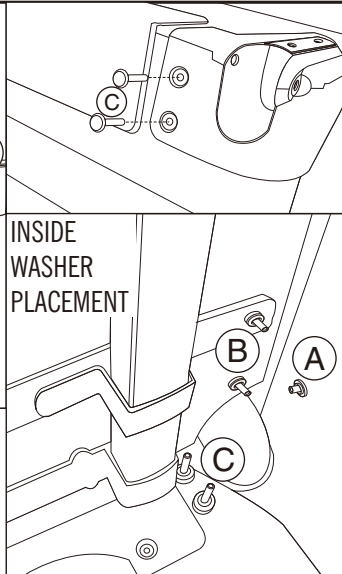
RIGHT SIDE REMOVAL WHEEL CASING



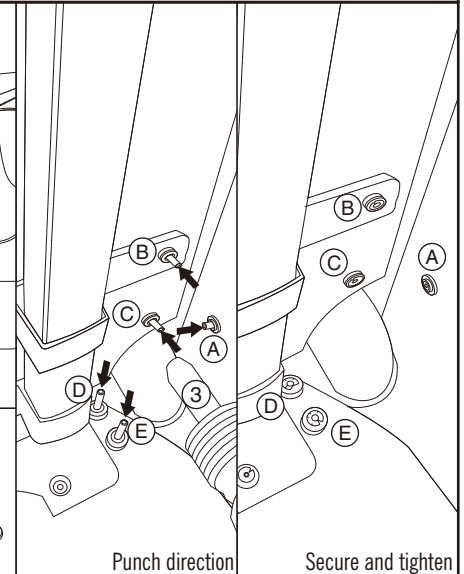
Drill the rivet (A) (B) (C) (D) (E) through from inside the bag using tool (1)



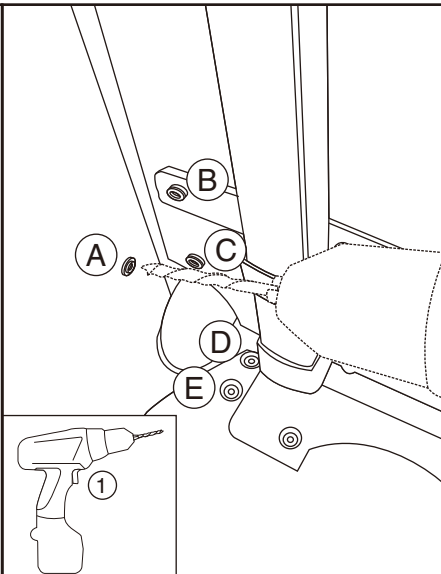
Put the rivet (A) (B) (C) through from inside the bag



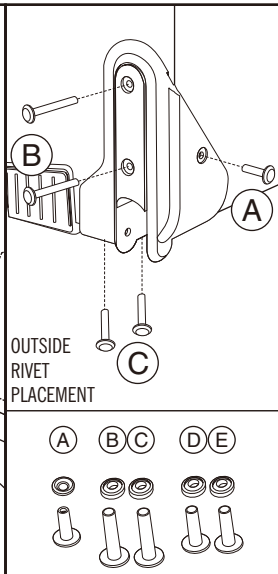
- Hold the outside (A) (B) (C) (D) (E) rivet using tool (2)
- Inside rivets (A) (B) (C) (D) (E) punched using tool (3) until secure and tighten with (A) (B) (C) (D) (E) washer



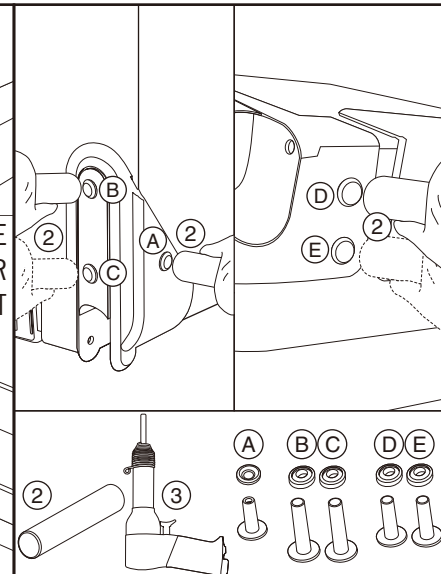
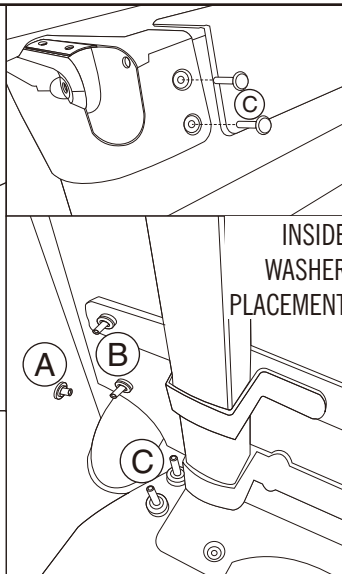
LEFT SIDE REMOVAL WHEEL CASING



Drill the rivet (A) (B) (C) (D) (E) through from inside the bag using tool (1)



Put the rivet (A) (B) (C) through from inside the bag



- Hold the outside (A) (B) (C) (D) (E) rivet using tool (2)
- Inside rivets (A) (B) (C) (D) (E) punched using tool (3) until secure and tighten with (A) (B) (C) (D) (E) washer

